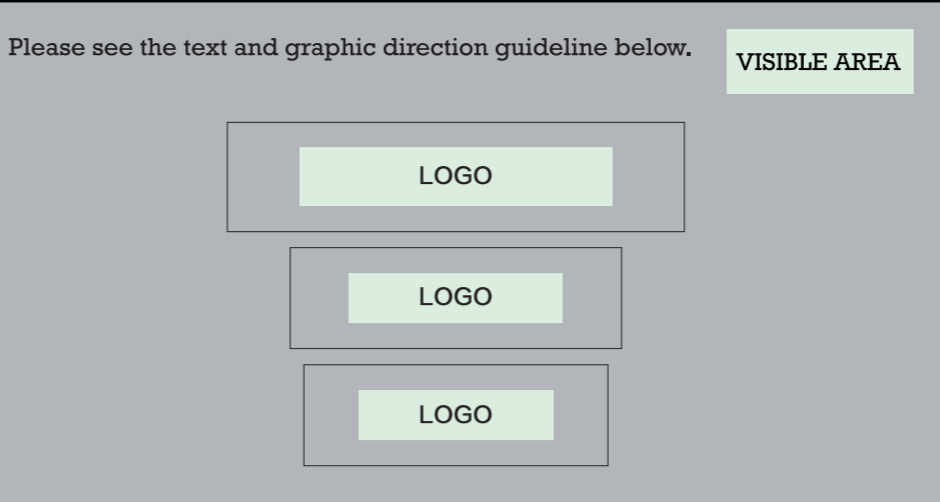


ORDER DETAILS	
MOCKUP NO.	WUFOO.
INQUIRY NO.	INQUIRY.V1
ORDER NO.	
PRODUCT DETAILS	
SIZE	58*86MM
QUANTITY	
BOX PACKING	
VALUE ADDITION	
PRINTING EFFECT	CMYK

————— DIE CUT LINE

REMARKS:
 - Artwork should be submitted in AI, EPS, PDF, CDR, PSD.
 - For JPEG, PNG and PSD please submit your artwork with a minimum of 300dpi



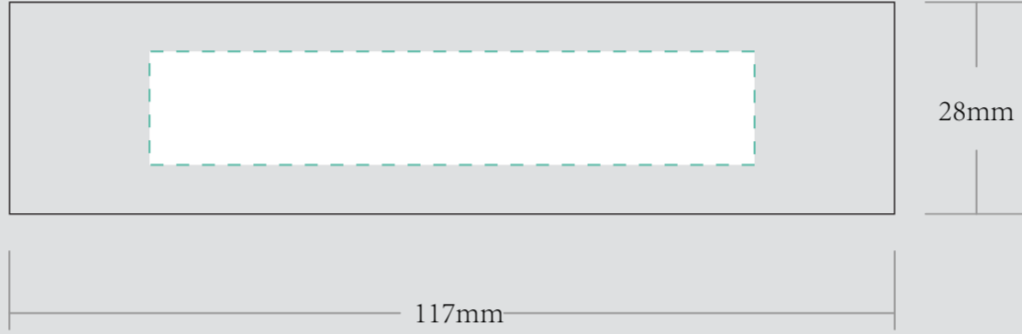
I accept the artwork and understand that any mistakes or omissions is my responsibility.

DATE:

PRINT NAME:

APPROVAL SIGNATURE:

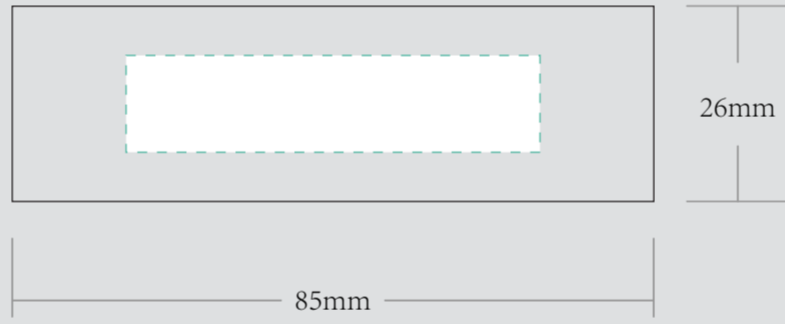
CUSTOM ROLLING MACHINE LARGE



EXAMPLE



CUSTOM ROLLING MACHINE MEDIUM



CUSTOM ROLLING MACHINE SMALL



PLEASE PUT THE DESIGN IN
GREEN DOTTED LINE AREA