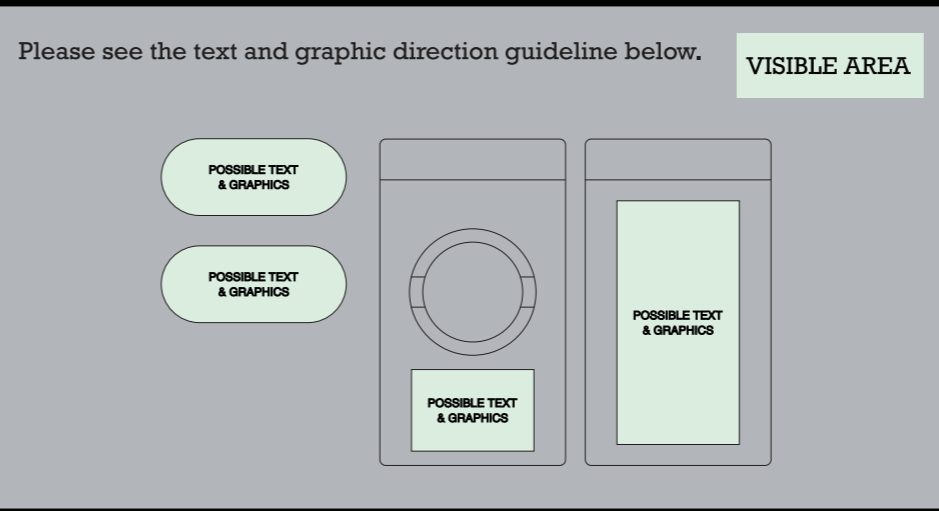


| ORDER DETAILS | |
|-----------------|--------------|
| MOCKUP NO. | WUFOO. |
| INQUIRY NO. | INQUIRY..V1 |
| ORDER NO. | |
| PRODUCT DETAILS | |
| SIZE | 70*32MM |
| QUANTITY | |
| COLOR | BLACK/SILVER |
| VALUE ADDITION | |
| PRINTING EFFECT | CMYK |

————— DIE CUT LINE

REMARKS:
 - Artwork should be submitted in AI, EPS, PDF, CDR, PSD.
 - For JPEG, PNG and PSD please submit your artwork with a minimum of 300dpi

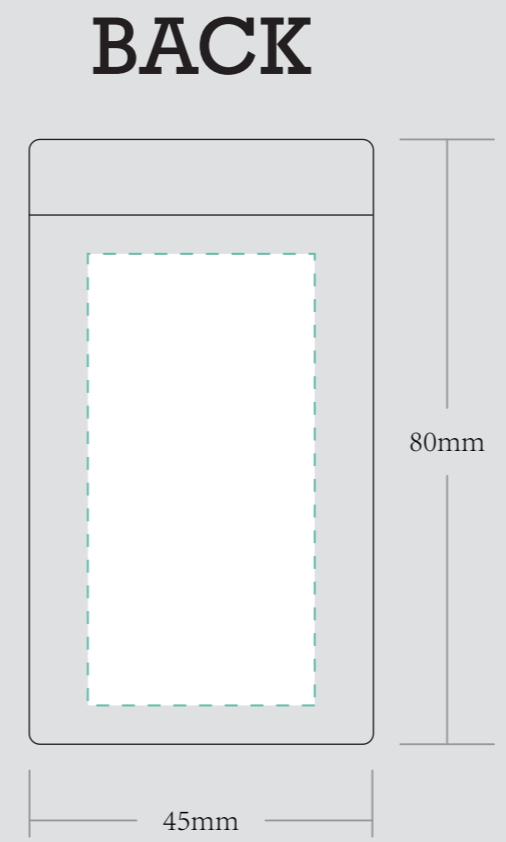
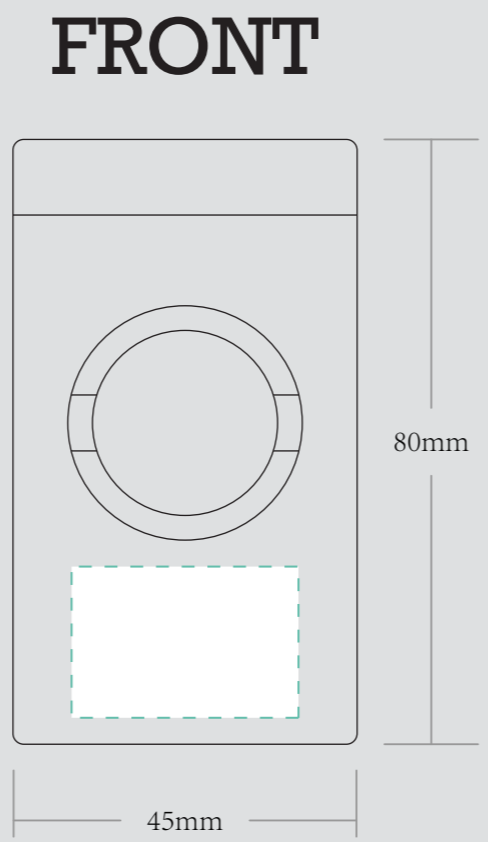
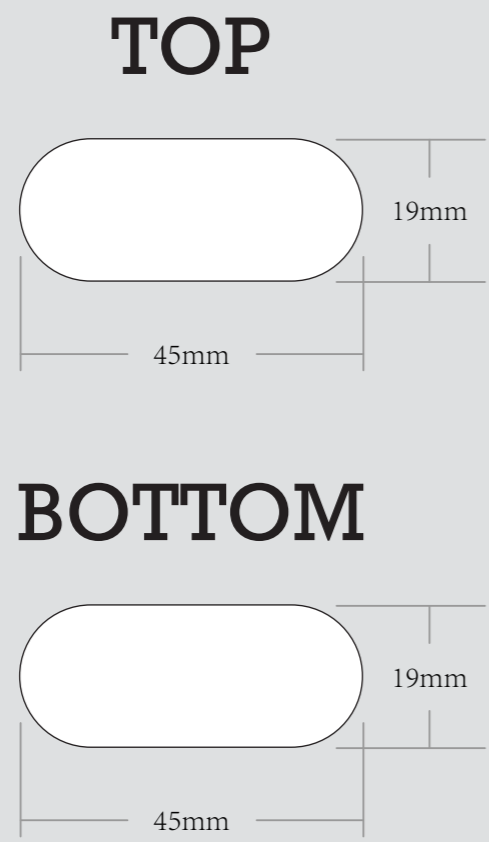


I accept the artwork and understand that any mistakes or omissions is my responsibility.

DATE:

PRINT NAME:

APPROVAL SIGNATURE:



PLEASE PUT THE DESIGN IN GREEN DOTTED LINE AREA