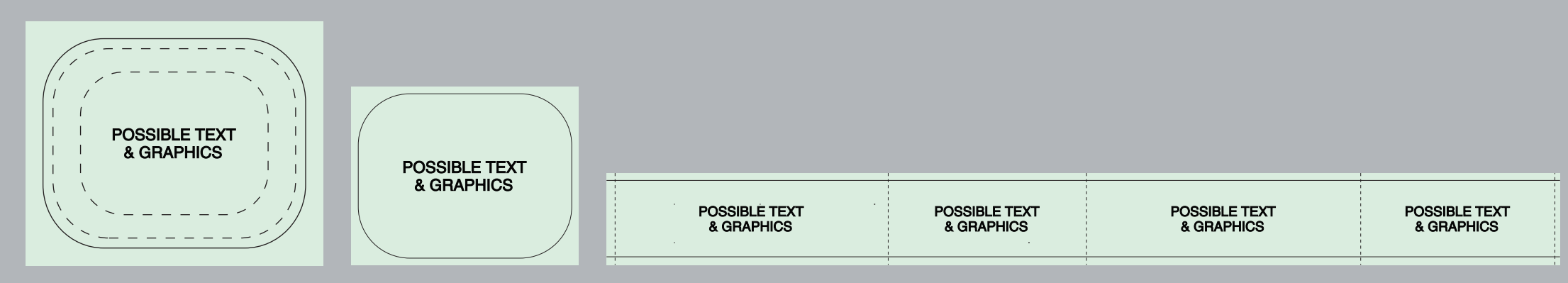


ORDER DETAILS	
MOCKUP NO.	WUPOO
INQUIRY NO.	INQUIRY.V1
ORDER NO.	
PRODUCT DETAILS	
SIZE	7.7" TIN TRAY + TIN STASH CASE
QUANTITY	
VALUE ADDITION	
PRINTING EFFECT	CMTX

- DIE CUT LINE
- - - - - PATTERN DIE CUT LINE
- - - - - BLEED LINE

REMARKS:  
 - Artwork should be submitted in AI, EPS, PDF, CDR, PSD.  
 - For JPEG, PNG and PSD please submit your artwork with a minimum of 300dpi

Please see the text and graphic direction guideline below.



VISIBLE AREA

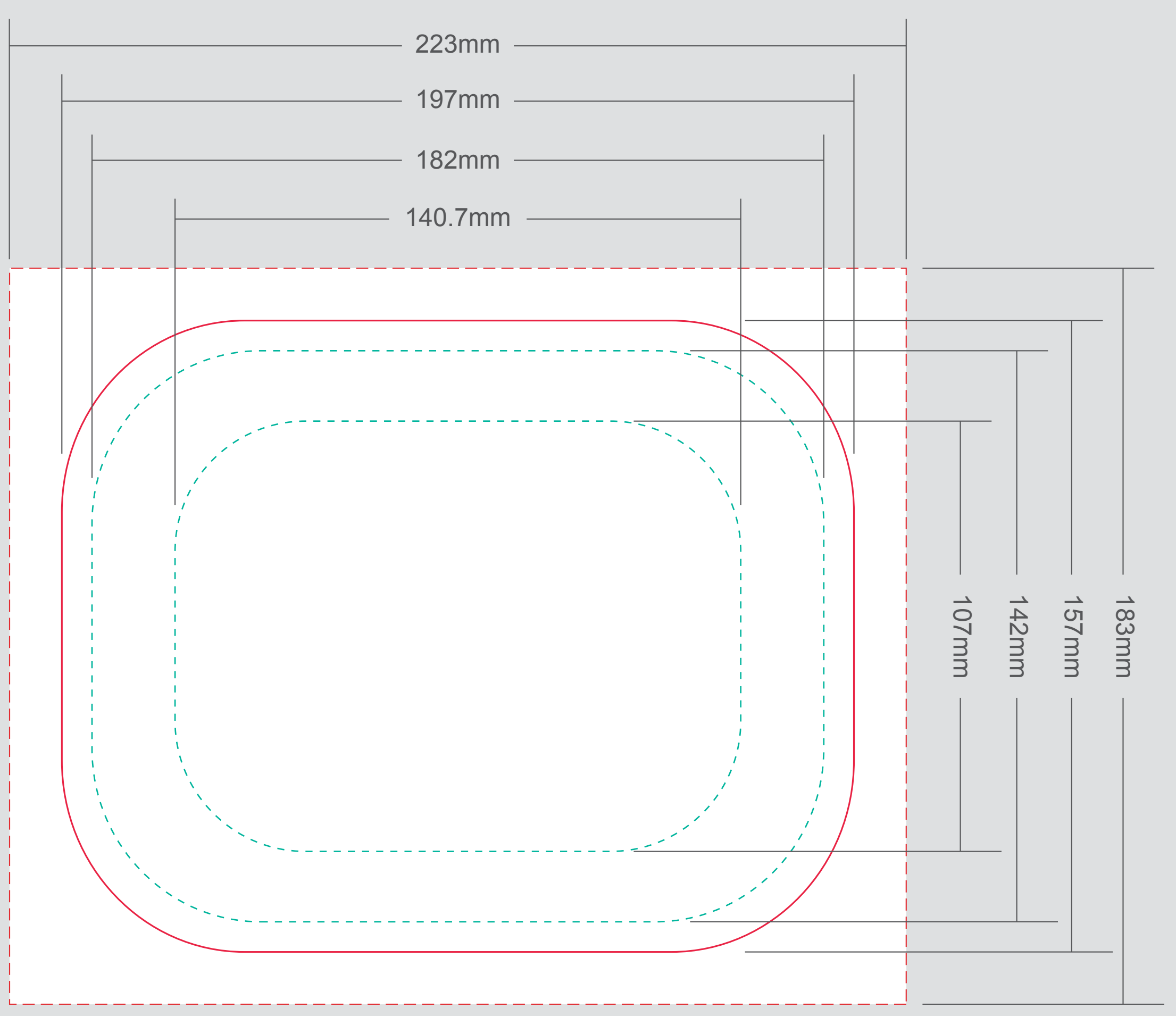
I accept the artwork and understand that any mistakes or omissions is my responsibility.

DATE: .....

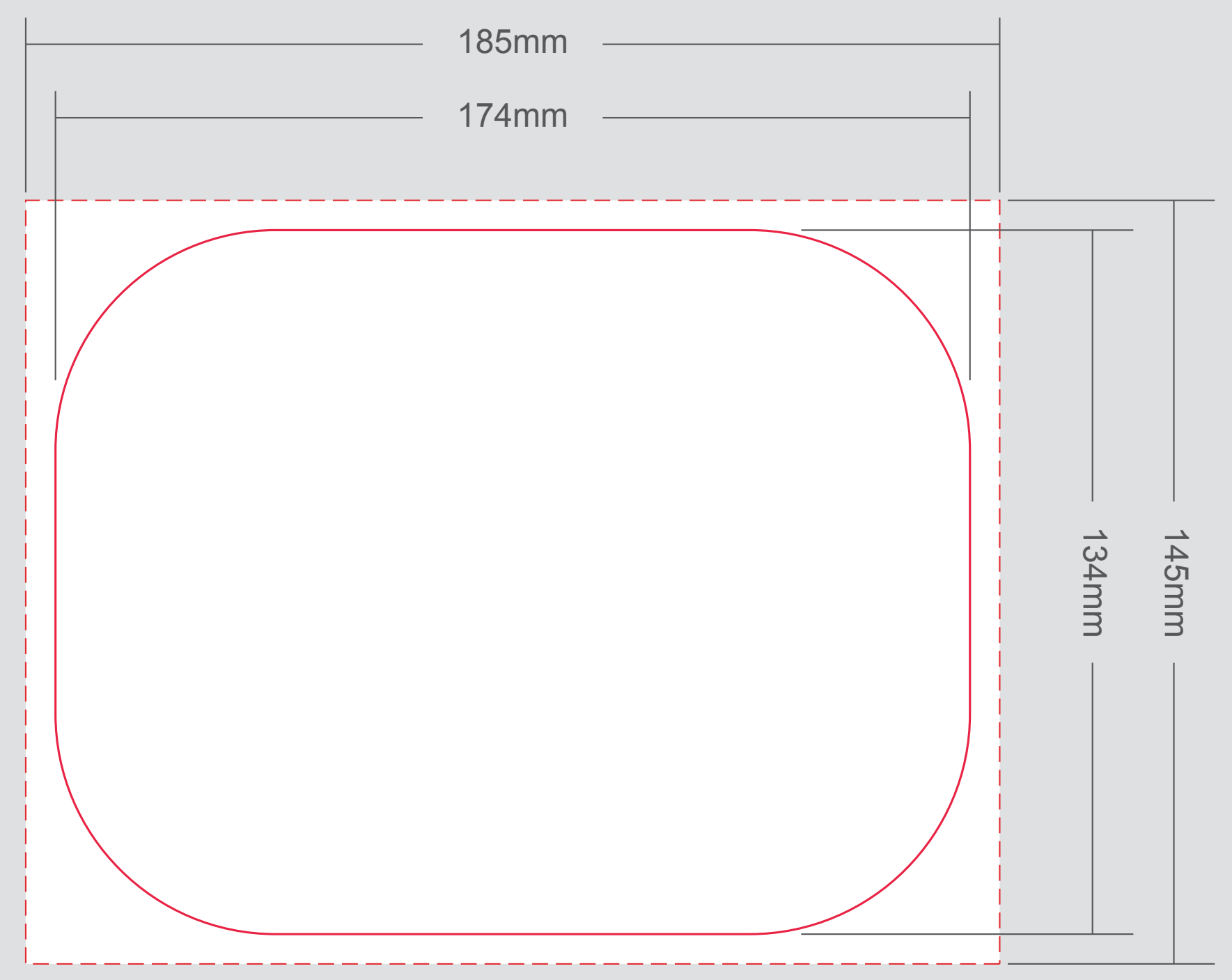
PRINT NAME: .....

APPROVAL SIGNATURE: .....

## TIN ROLLING TRAY



## BOTTOM OF STASH CASE



## EXAMPLE

### NOTE:

1. Do not put the text on LIP, so difficult to fixed location.
2. Do not put the text on starting curve, will easy to deformation.
3. If design includes PMS color, please marking on this file.

## SIDES OF STASH CASE

