

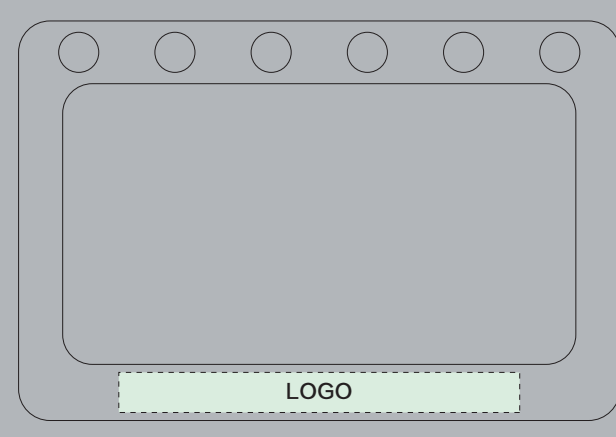
ORDER DETAILS	
MOCKUP NO.	
INQUIRY NO.	INQUIRY..V1
ORDER NO.	
PRODUCT DETAILS	
SIZE	150*100*19MM
QUANTITY	
VALUE ADDITION	
PRINTING EFFECT	

————— DIE CUT LINE

REMARKS:
 - Artwork should be submitted in AI, EPS, PDF, CDR, PSD.
 - For JPEG, PNG and PSD please submit your artwork with a minimum of 300dpi

Please see the text and graphic direction guideline below.

VISIBLE AREA



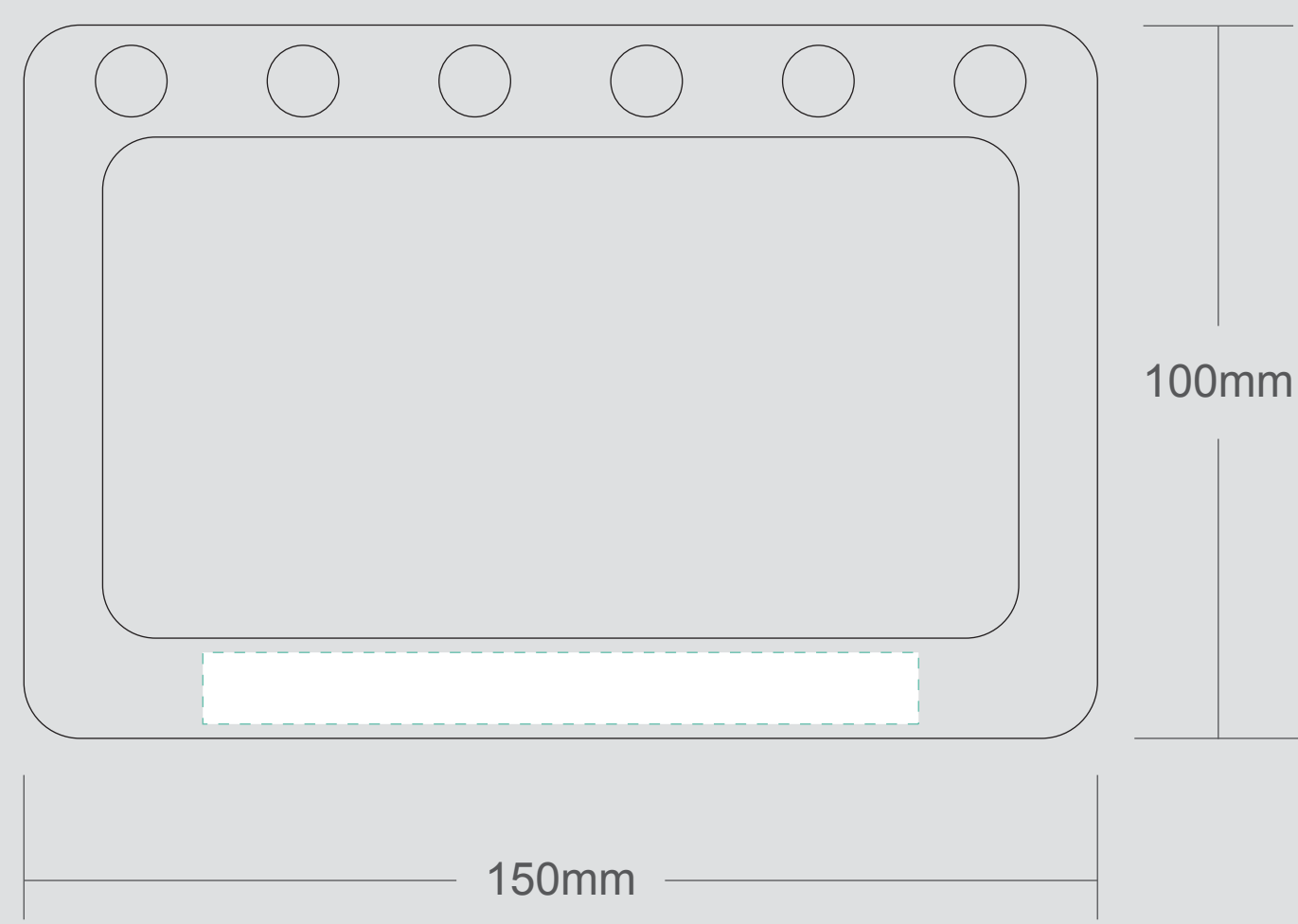
I accept the artwork and understand that any mistakes or omissions is my responsibility.

DATE:

PRINT NAME:

APPROVAL SIGNATURE:

EXAMPLE



PLEASE PUT THE LOGO
 IN GREEN LINE RECTANGLE

EXAMPLE

