

ORDER DETAILS	
MOCKUP NO.	WUFOO.
INQUIRY NO.	INQUIRY..V1
ORDER NO.	
PRODUCT DETAILS	
SIZE	DIA.50MM
COLOR	
QUANTITY	
VALUE ADDITION	
PRINTING EFFECT	CMYK

————— DIE CUT LINE

REMARKS:  
 - Artwork should be submitted in AI, EPS, PDF, CDR, PSD.  
 - For JPEG, PNG and PSD please submit your artwork with a minimum of 300dpi

Please see the text and graphic direction guideline below.

VISIBLE AREA

POSSIBLE TEXT & GRAPHICS

POSSIBLE TEXT & GRAPHICS

POSSIBLE TEXT & GRAPHICS

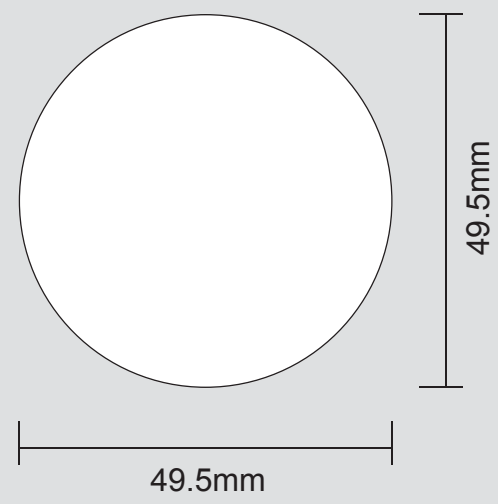
I accept the artwork and understand that any mistakes or omissions is my responsibility.

DATE: .....

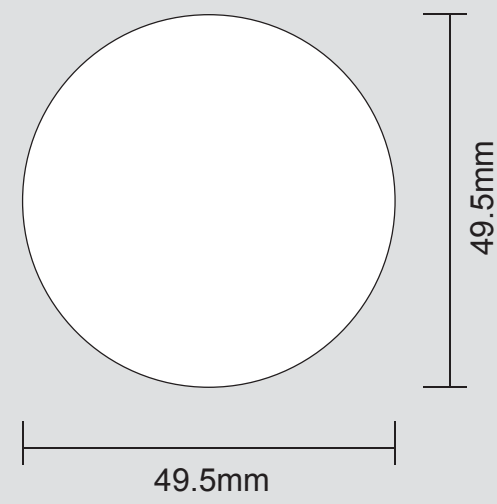
PRINT NAME: .....

APPROVAL SIGNATURE: .....

**TOP**



**BOTTOM**



**EXAMPLE**



**SIDE**

