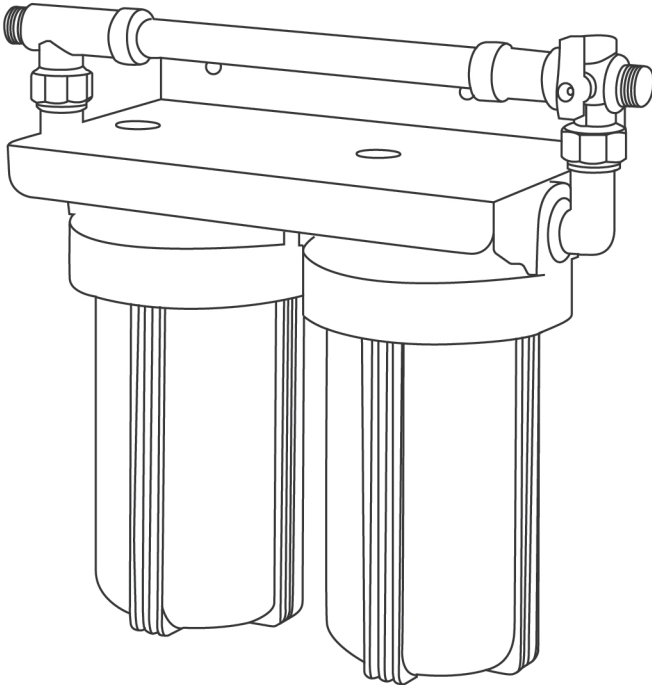




Instruction Manual

Please read and save these instructions



Spotless Car Wash System with Resin

If you have any questions or concerns when installing, operating or maintaining your product call our toll free number:

1-888-352-3558 (U.S.)

or send mails to

service@waterdropfilter.com

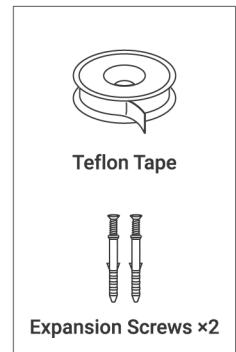
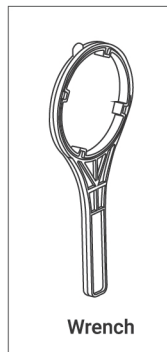
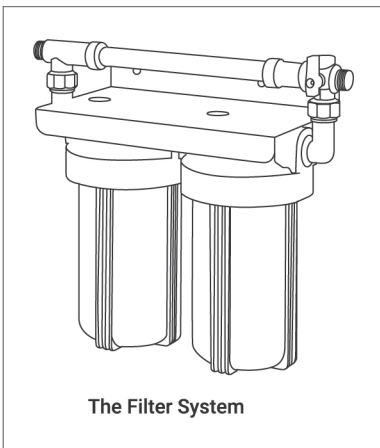
Product Introduction

In daily life, we use tap water to wash cars directly, and after the water evaporates, it leaves spots on the vehicle, which is caused by TDS in the water. By removing TDS from the water, we can achieve spotless washing without the need to dry with a towel. The Waterdrop Spotless Car Wash System with Resin is a resin filtration system that uses Cation and Anion resins in the filter element to exchange ions in the water, reducing TDS and achieving spotless car washing. With this product, you can wash cars, motorcycles, RVs or bicycles, including windows at home, and let them air dry naturally without the need to dry with a towel, without leaving spots. The product can be used in different washing modes through a three-way ball valve. You can choose to wash with unfiltered water in the first few washes, and switch to filtered water mode for the final wash to achieve spotless car washing and greatly extend the lifespan of the filter element.

1. Product Specifications

Product model	WD-CWE
Flow Rate	1 GPM
Working Pressure	25~90 psi
Operating Temperature	40-100°F (4-38°C)
Feed Water Requirement	Municipal tap water
Average using times of filter element	8 times @200ppm

2. Product parts introduction



Installation steps

Remove the filter system from the package and check whether the accessories are complete; The system can be fixed and installed by hanging it on a board or simply placed on the ground, and can be easily moved by lifting the metal pipe at the top. If you choose to fix it with a hanging board, please choose a suitable location for easy installation of the pipeline and operation of the equipment, and then fix the hanging board on the wall with expansion screws. **(Figure 1)**

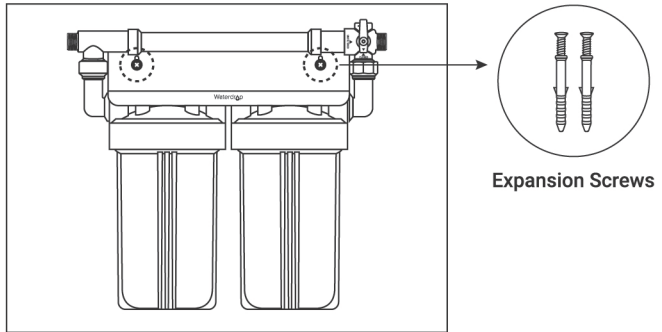


Figure 1

3. After the system is placed, it can be connected to the water inlet and outlet pipes. The water inlet and outlet joints of the system are both 3/4" MNPT threads. Please choose the appropriate connection method according to the size of the pipes in your home. Pay attention to the direction of water flow during installation. It is recommended to use a hose with standard threads to connect the water outlet end and the washing nozzle. **(Figure 2)**

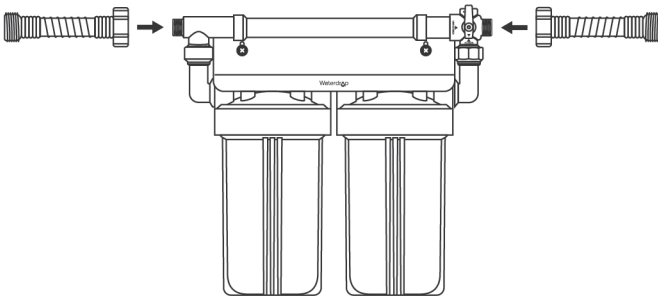


Figure 2

! **NOTE:** When installing the water inlet and outlet pipes, wrap the external threads with Teflon tape to ensure sealing.

4. After the pipeline installation is completed, rotate the ball valve to the closed position, first open the faucet at home, and then slowly rotate the ball valve to the original water and filtered water positions to check whether there is any water leakage or slow seepage at the joints. After checking, it can be used normally. (Figure 3)

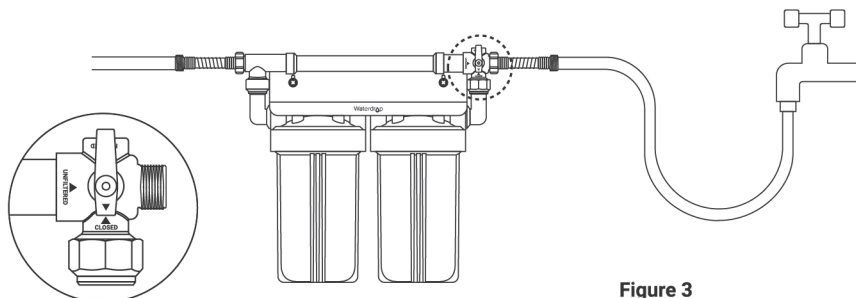


Figure 3

5. When washing the car, except for the last rinse, please rotate the three-way ball valve to the unfiltered position (Figure 4), use the original water to rinse the mud and foam. For the last rinse, rotate the three-way ball valve to the filtered position (Figure 5), and use filtered water to remove the ions for the final rinse. This can ensure spotless car washing effect and prolong the service life of the filter element.

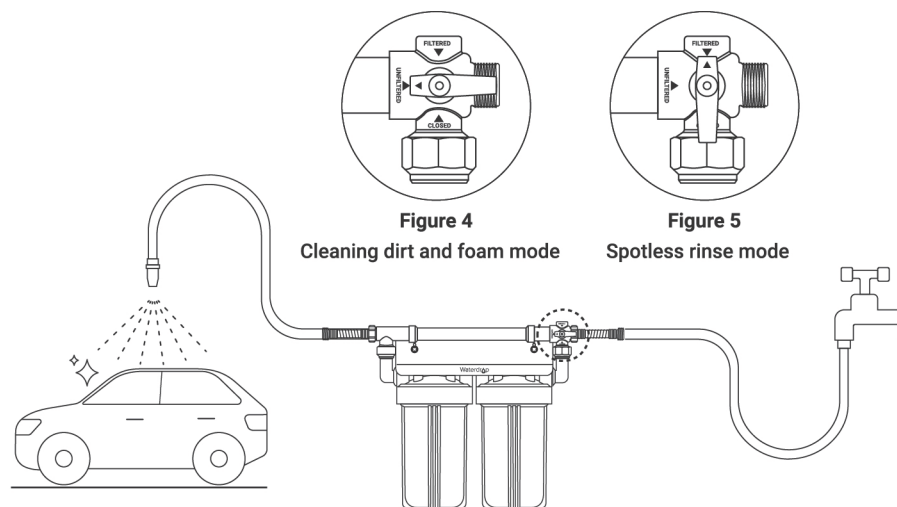


Figure 4

Cleaning dirt and foam mode

Figure 5

Spotless rinse mode

NOTE: If the spotless rinse mode is used continuously during the car wash process, the filter will expire quickly. It is strongly recommended to only use the spotless rinse mode during the final rinse.

6. After the system is used, the resin should be kept moist before the next use. During the storage process of the system, you can keep the water pipe connected, fill the filter bottle with water, and prevent water evaporation as much as possible. It is particularly important to avoid storing it in a place where it may freeze or where the temperature may exceed 100 degrees Fahrenheit.

Filter Change Instructions

Step 1: Remove the old cartridge

1. Rotate the ball valve to the closed position.
2. Unscrew the housing using the wrench included with your system.
3. Remove and discard the old filter cartridge.

Step 2: Clean the housings

1. Scrub the housing and cap with warm water mixed with about 2 tablespoons of household bleach using a sponge or soft rag. Wear rubber gloves. Rinse all parts very thoroughly!
2. Lubricate the O-ring with clean silicone grease if needed. **DO NOT USE PETROLEUM JELLY.** Insert the O-ring in filter groove and press into place. Make sure the O-ring is seated correctly.

⚠ Caution: This step is important to ensure the proper filter seal. Make sure the O-rings are seated level in the groove. If the O-ring appears damaged, stretched, or crimped, it should be replaced.

Step 3: Install the new cartridge

1. Remove the new filter packaging and insert the filter cartridges into the housings, making sure they slip over the standpipe in the bottom of the housing.
2. Align the bottom of the housing into the cap and hand tighten, then use the filter wrench to fit it snugly. Do not over-tighten.
3. Rotate ball valve to filter condition, Turn on the water supply slowly to allow the system to fill with water. Inspect carefully for leaks. If a leak is found, remove the housing and inspect the O-ring to ensure that it is seated properly, and then retighten.

Frequently Asked Questions

Q: Why does water leak from the housing connection?

A: The O-ring may not be in place or not enough teflon tape on the threads. Reapply teflon tape and tighten. If it still leaks after adjusting the O-ring or threads, please contact us.

Q: Why is there a spot left after washing the car very few times?

A: The frequency of use is affected by multiple factors, including the quality of the incoming water, the flushing flow rate, and the method of use. We recommend using municipal water as much as possible for car washing and controlling the water flow rate at 1GPM to achieve better flushing effects. Also, please note that when using this product, use filtered water only for the last rinse, and do not use filtered water for other rinses.

Warranty

The Spotless Car Wash System with Resin offers a 1-year warranty covering defects in materials and workman- ship from the original date of purchase. If the product proves to be defective within 1 year from the date of purchase, call 1-888-352-3558. During the warranty period, we will replace or repair any part deemed defective if the product has not been subjected to tampering, alteration, or improper use after delivery and has not been repaired by the manufacturer. The product is not warranted against misuse, use in abnormal operation temperature conditions, conditions outside listed operating parameters, use in commercial operations, or any other manner outside the product specifications set forth in the owner's manual. Our obligation does not include the cost of transportation. We are not responsible for damage in transit, and claims for such damage should be presented to the carrier by the customer. Should service be required or if you have any questions regarding how to use your product, please call our customer service at 1-888-352-3558. We have a professional customer service team and will take care of your problem on time. Note: This does NOT apply to any filter element, as the life expectancy varies based on incoming water quality.

Waterdrop

Manufacturer Technical Support

Tel: 1-888-352-3558 (U.S.)

E-mail: service@waterdropfilter.com



Made in China V001

Qingdao Ecopure Filter Co., Ltd.