

Illume

Specifications Guide / Valid thru May 2024

Please Note: Items are subject to change without prior notice. This spec book is missing some updated information, so to stay up to date with product specifications and modification options please use our digital spec book which can be found at <https://ezpricing.fabuwood.com/specbook>

New! Interactive Index

Specbook Updates	III	Base Cabinets Installed Accessories	19
Construction Specifications	IV	Tall Cabinets	22
Q12®	VI	13" Deep Tall Pantry Cabinets	22
Limited Lifetime Warranty	VII	24" Deep Tall Pantry Cabinets	23
Door Styles	VIII	Oven Cabinets	24
Door Styles	VIII	Tall Cabinets Installed Accessories	26
Sample Doors	XII	Vanity Cabinets	28
Sales Tools	XVI	Vanities	28
Modifications	XVIII	Storage Accessories	31
Loose Items	XIX	Base Accessories	31
Wall Cabinets	1	Waste Solutions	32
12"- 24" High Wall Cabinets	1	Sink Accessories	33
12"- 24" High & 24" Deep Wall Cabinets	2	Cabinet Accessories	34
30" High Wall Cabinets	3	Fillers	34
36" High Wall Cabinets	5	Columns	35
42" High Wall Cabinets	7	End Panels	36
Specialty Wall Cabinets	9	Panels	37
Microwave Wall Cabinets	10	Wainscot Panels	38
Wine Cabinets	11	Moldings (8')	39
Base Cabinets	12	Height Alignment Guide	40
Base Cabinets	12		
Drawer Base Cabinets	14		
Blind Base Cabinets	15		
Corner Base Cabinets	16		
Sink Base Cabinets	17		
Specialty Base Cabinets	18		

Specbook Updates

- **NEW!** Illume 2.0 Collection Introducing:
 - » 5 New Doors in the Catalina Signature Collection
 - » Catalina Designer's Collection [pg.VIII](#)
 - » Tuscany Designer's Collection [pg.X](#)
 - » Venetian Designer's Collection [pg.XI](#)

- **NEW!** Illume Accessories [pg.31](#)
 - » Illume Spice Pull-Out
 - » SPOB09 ILLUME
 - » SPOB12 ILLUME
 - » SPOB15 ILLUME
 - » SPOB15 ILLUME
 - » Illume Blind Base Pull-Out
 - » BPO-BLB42/45-L ILLUME
 - » BPO-BLB42/45-R ILLUME
 - » BPO-BLB48/51-L ILLUME
 - » BPO-BLB48/51-R ILLUME

- Notice regarding Illume Customizations [pg. IV](#)

- Price update for Lift-Up Wall Cabinets [pg. 9](#)

- Product update for Easy Reach & Lazy Susan Bases [pg. 16](#)

- Dimension updates to Fillers, Columns & Panels [pg. 34](#)

- **Height Alignment Guide** [pg. 90](#)

Construction Specifications

Doors and Drawer Fronts:

Doors and drawer fronts in the Illume line feature an MDF core with high-quality Pro Touch Technique lacquered boards and edge-banding in Gloss or Matte Finishes.

Hinges:

BLUM Concealed Clip-On Hinges with BLUMOTION Soft-Close and Quick-Release Technology. Hinges are six-way adjustable and open at 110°. Please note: Lazy Susan, Easy Reach, and Wall Pie Cut cabinets do not feature the soft-close mechanism.

Drawers:

The Illume line includes the BLUM Tandembox Deluxe Metal Drawer System with a Pearl Grey Interior. Tandembox drawers have concealed Full-Extension Slides and Integrated BLUMOTION Soft-Close technology with a 75 lb dynamic load capacity.

Shelving:

3/4" thick Engineered Furniture Board (EFB) shelves, edge-banded in White Linen textured laminate. The adjustable shelves are supported by metal shelf clips. All standard depth base cabinetry includes an 18" deep adjustable shelf, wall cabinetry 12" deep adjustable shelves, and tall cabinetry 21" deep adjustable shelves.

Box:

The Illume line features Cutting-Edge Threespine® Click Technology for a frameless box with tight seams & rigid construction. Sides, top & bottom panels are 3/4" Engineered Furniture Board (EFB) with front edges edge-banded in White Linen Textured Laminate & White Linen Interior. The back panel is 1/4" Medium Density Fiberboard (MDF) with 5/8" thick hanging rails.

Toe Kick:

Adjustable furniture feet included with Base & Tall Cabinets for easy leveling during installation; included are clip-on brackets for toe kick trim attachment.

Matching lengths of Toe Kick are available to purchase separately. Toe Kick is 3/4" Engineered Furniture Board (EFB) with edge-banding on all sides.

Installation Note:

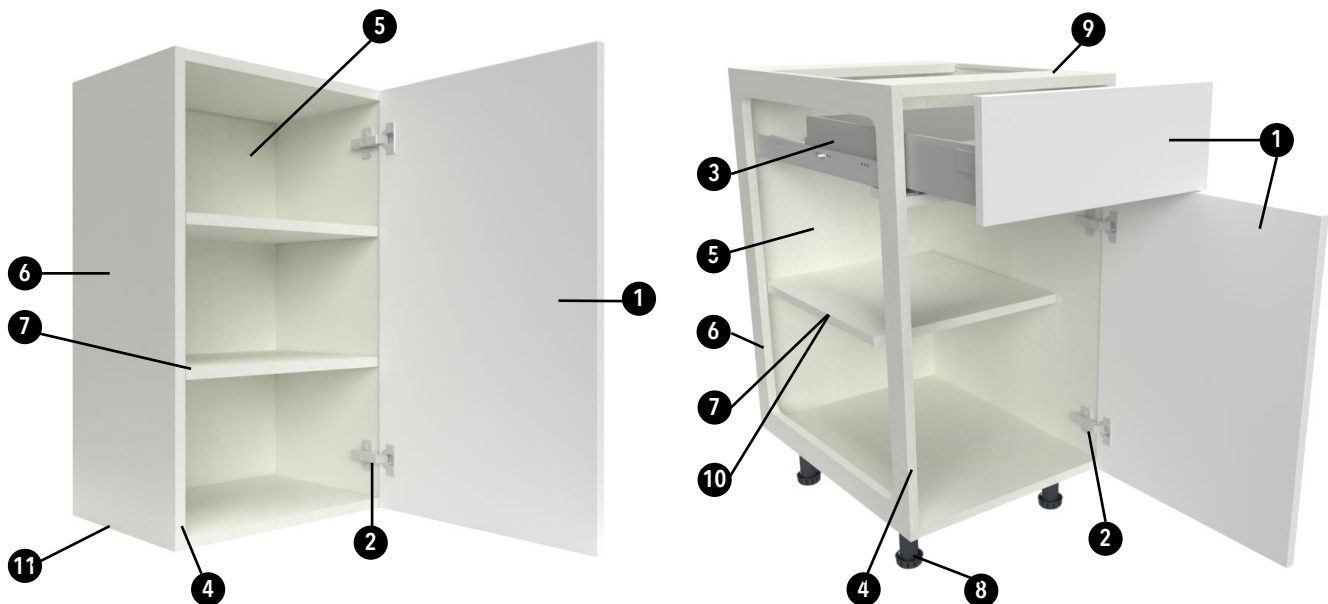
Illume Cabinets are shipped with a protective film on the front face and edge-banding of all Doors, Front Panels, Wainscot Panels, Finished Accessories. Film is recommended to be removed after installation of cabinetry & job site construction is complete.

Notice regarding Illume Customizations:

Any customizations for the Illume Frameless line are manufactured and assembled in our Newark Manufacturing facility and will not include the Threespine® Click Technology.

Construction Specifications

- 1 3/4" MDF slab door & drawer front
- 2 BLUM Concealed Clip-On Hinges with BLUMOTION Soft-Close and Quick-Release Technology. Hinges are six-way adjustable and open at 110°
- 3 BLUM Tandembox Deluxe Metal Drawer System with a Pearl Grey Interior, 2-5/8" interior drawer height
- 4 3/4" Machine Edge-Banding, matches White Linen interiors
- 5 1/4" Engineered Furniture Board (EFB) back panel with 5/8" hanging rails, finished with White Linen Textured Laminate
- 6 3/4" Engineered Furniture Board (EFB) side panels, finished with White Linen Textured Laminate
For matching side panels to complement the Door Style Finish, Wainscot Panels are available (purchased separately)
- 7 3/4" Engineered Furniture Board (EFB) adjustable shelving, Edge-Banded with White Linen Textured Laminate
- 8 Black plastic furniture feet*, adjustable from 3-3/4" to 5-3/8"
- 9 5-1/2" wide panel beams, front and rear
- 10 Base cabinet has 18" deep shelves
- 11 Wall cabinets are 13" deep with 12" interior depth



* Note for Cabinets with Adjustable Furniture Feet:
The overall height dimensions listed throughout the specbook for these cabinets are **before** installation of the included foot attachment.

Featuring




What exactly defines a Q12 cabinet?

To fully achieve Q12 eligibility, a cabinet must encompass twelve unique standards of quality. Read below to learn more about the twelve fundamental pillars that establish the Q12 qualification:

Q1: CAREFULLY SELECTED ELEMENTS

To ensure the absolute integrity of our product, each element is carefully selected. We start by choosing only "Grade-A" materials and make no compromises along the way.

Q2: PRO-TOUCH TECHNIQUES

Our Allure and Illume cabinets offer high-end finishes that are as beautiful as they are durable and practical. Fabuwood's distinctive pro-touch techniques allow for a sustainable and resilient cabinet finish that is not only easy to clean but will retain its beautiful luster for years.

Q3: ADVANCED CONSTRUCTION

Our Allure Dovetail and Illume Threespine® construction methods are superior, innovative, and built for a lifetime of use. Fabuwood offers cabinets of the utmost strength, on par with the highest industry standards. Our attention to detail, coupled with advanced construction techniques, means a long lasting, superior quality cabinet every time.

Q4: ANTI-WARP STRUCTURES

All our cabinets are engineered in a way that eliminates warping, ensuring the cabinets hold up against elemental pressures. Crafted to perfection, every detailed component is created with unfailing durability. Each cabinet we produce is held to a high standard, ensuring long-lasting reliability.

Q5: METAL SHELF CLIPS

To maintain a maximum level of stability that preserves a shelf's longevity, these metal shelf clips assure sturdiness and durability. With this feature your shelves are sure to stand the test of time.

Q6: TOUGH BACK BUILDS

For superior structural longevity, the back builds on the Allure and Illume series are built tough and easy to install. Our rigorous pressure testing guarantees that our products won't give in.

Q7: FLUSH FIT

To achieve an attractive appearance that is convenient and practical, our Q12 cabinets are built with a flush fit to ensure smooth surfaces and easy in-and-out access.

Q8: UNIQUE INTERIORS

The interior finish of our cabinets is as important as the exterior. Fabuwood offers high end, unique interior finishes for a clean and sophisticated look.

Q9: ONE-CLICK INSTALLATION

In addition to our soft-close action feature, the cutting-edge Blum Compact Clip Hinge allows for lightning-fast one-click installation and release.

Q10: FLUID FULL-EXTENSION

Our cabinets are built with smooth full-extension glides to guarantee an enhanced running action that maximizes its storage to full capacity. Fabuwood manufactures its cabinets with Blum's tandem plus runners and soft-closing technology, utilizing space while also preventing damage and deterioration.

Q11: EZ LEVEL DRAWER FRONTS

On both framed and frameless products, to achieve an aesthetically graceful balance and ensure proper drawer alignment and function, our cabinets use an effortless system, utilizing a degree of mechanical precision for installing perfectly positioned drawer faces.

Q12: LIMITED LIFETIME WARRANTY

Our integrity-defining limited lifetime warranty is our commitment to quality and excellence. The warranty reflects our pledge to always back our cabinets while delivering an immaculate product. With precise crafting techniques, Q12 cabinets are poised for a lifetime of use.

Limited Lifetime Warranty

COVERAGE OF WARRANTY

Fabuwood Cabinetry Corp ("Fabuwood") is pleased to provide the following limited warranty to the first residential purchaser of all cabinets imported to and assembled and sold in the United States by Fabuwood. This warranty does not cover cabinets sold or shipped outside of the United States and Canada. A residential purchaser is a person who purchases and installs the cabinets in a dwelling that is owned and used by that person as a primary or secondary home, or, in the case of a developer or builder, this limited warranty may be assigned to the initial purchaser who uses the dwelling as a primary or secondary home. This warranty, however, is not transferable to subsequent owners of the home. This limited warranty is subject to all limitations, exclusions, disclaimers and procedures set forth herein.

LIMITED LIFETIME WARRANTY (Only on Allure and Illume series cabinets): Fabuwood warrants to the original purchasing consumer that all Allure and Illume series cabinets purchased from Fabuwood will be free from all unnatural defects in material and workmanship in accordance with the Fabuwood quality standards sheet under normal residential use as long as the original purchasing consumer owns the home in which such cabinets are installed.

EXCLUSIONS

THIS WARRANTY SUPERSEDES ANY AND ALL PREVIOUS WARRANTIES BY FABUWOOD AND CONSTITUTES THE EXCLUSIVE REMEDY AGAINST FABUWOOD FOR ALL DEFECTS, DAMAGES AND WORKMANSHIP. THERE ARE NO IMPLIED WARRANTIES EXTENDING BEYOND THE TERMS OF THIS WARRANTY. TO THE MAXIMUM EXTENT PERMITTED BY APPLICABLE LAW, FABUWOOD SHALL NOT BE LIABLE FOR ANY INDIRECT, SPECIAL, PUNITIVE, INCIDENTAL OR CONSEQUENTIAL COSTS, EXPENSES OR DAMAGES (INCLUDING LOST PROFITS), EVEN IF THIS LIFETIME LIMITED WARRANTY IS DEEMED TO HAVE FAILED OF ITS ESSENTIAL PURPOSE. SOME STATES DO NOT ALLOW THE EXCLUSION OR LIMITATION OF INCIDENTAL OR CONSEQUENTIAL DAMAGES, SO THE ABOVE LIMITATION OR EXCLUSION MAY NOT APPLY TO YOU. THIS WARRANTY GIVES YOU SPECIFIC LEGAL RIGHTS, AND YOU MAY ALSO HAVE OTHER RIGHTS, WHICH VARY FROM STATE TO STATE. IT IS POSSIBLE THAT ONE OR MORE OF THE LIMITATIONS AND EXCLUSIONS IN THIS WARRANTY MAY NOT APPLY TO YOU. THE LIMITED LIFETIME WARRANTY ON ALLURE AND ILLUME SERIES CABINETS APPLIES ONLY TO PRODUCTS PURCHASED ON OR AFTER 01/26/2023.

LIMITATIONS

This warranty shall become void if the cabinets, cabinetwork, drawer slides or hinges are modified from its original form, improperly installed or damaged prior to or during the installation, or used in any way other than for residential purposes. This warranty covers only parts and materials of the cabinets as supplied by Fabuwood. This warranty does not cover any products used or installed in connection with cabinets, such as gas or electric appliances, countertops, or plumbing fixtures. This warranty does not apply to products installed in locations that do not maintain year-round environmental controls. This warranty shall not apply to damages caused by transportation, storage, dirt, chemicals, exposure to moisture, humidity or excessive heat or cold, nor does it cover the effects arising from normal wear and tear, misuse, neglect, accidents, alterations, improper use or failure to maintain properly, house settling, or acts of God. No installer, retailer, distributor, agent or employee of Fabuwood has the authority to alter the obligations or limitations in this warranty.

QUALITY STANDARDS

This warranty covers all damages and unnatural defects that are deemed as such under the current Fabuwood Quality Standards sheet. The current Fabuwood Quality Standards sheet is available for download in the dealer login section of the Fabuwood website (www.fabuwood.com), which should be reviewed at each time a claim for warranty service is being considered. Fabuwood reserves the right to modify or change the Fabuwood Quality Standards sheet at any time without notice.

DISCLAIMERS

The following is a brief recap of some of the characteristics of the wood and finishes on the cabinets you are about to purchase. Please read them carefully. If some of these characteristics concern you, please choose something else. We bring these characteristics to your attention so you will realize that Fabuwood will not be held responsible for these variations in your cabinetry. It is important to note that wood products claimed as defective are most often the result of atmospheric conditions such as excess moisture and humidity.

Fabuwood strongly recommends testing the intended location of the products for such conditions prior to installation.

WOOD AND COLOR VARIATIONS: Wood is a product of nature, and since no two trees are alike, cabinets may vary in color, texture and grain. Wood characteristics naturally occurring such as variations in color, grain, mineral streaks, pinholes and knots are not considered defects. Color variations in cabinets are also a natural occurrence due to species, age, character of cabinets, and exposure to UV light, smoke, certain household cleaners, sunlight, extreme temperatures, and other environmental conditions. For these reasons, new and/or replacement cabinets may not match display samples and/or existing cabinets. This may result in overall color variations, but is not considered a defect.

WOOD DOORS, DRAWER FRONTS, AND FACE FRAMES: Wood by nature will undergo expansion and contraction movements over the years as it compensates and adjusts to ever changing atmospheric humidity and temperature conditions. It is very common for center panels on doors to shrink, expand or move during these changes. Typically, the panel will return to its normal position within a year once it has adjusted to seasonal changes. It is for these same reasons that it is very common for doors to warp during these periods. Doors that are warped up to 1/4" are not considered defective. [Note: It is advisable to check if the door was properly installed, since doors that appear warped are very often the result of improper installation.] Painted doors, drawer fronts, and face frames may eventually have visible cracking around the joint areas, and cabinet colors may darken or lighten over time. These variations are considered to be the nature of the material in relation to their environmental exposure and are not covered under this lifetime limited warranty.

PAINTED FINISHES: Plywood is a non-porous, smooth grained wood. Additionally, wood by nature undergoes periods of expansion and contraction while it adjusts to atmospheric conditions mentioned above. As such, finish stress lines may become visible on painted cabinets especially at the joints. Any such occurrence is not considered a defect.

GLAZED FINISHES: A glazed finish by character is an uneven finish. Some edges and profiles will be larger than others and glazing may vary cabinet to cabinet, door to drawer and item to item. This may result in overall color, texture, and finish variations but these are not considered defects.

WARRANTY PERFORMANCE

If a defect does occur within the terms and conditions of this warranty such defective part will be repaired or replaced by Fabuwood at its sole discretion. Fabuwood will not provide or pay for the cost of removal of defective product, transportation of defective, repaired or replaced product or installation of repaired or replaced product. If it is not commercially feasible to repair or replace a defective product, we may refund the original price paid by you for the defective product, or provide a credit towards a similar type of product sold by us. Fabuwood will not be responsible for any shipping damages to the defective, replaced or repaired product. If defective item has been discontinued or is not available at the time, Fabuwood reserves the right to replace the item with the most similar item available in Fabuwood's inventory at that time. Fabuwood reserves the right to alter design, specifications and material without obligation to make similar changes to products previously manufactured. Fabuwood cannot guarantee that the finish of any replacement will exactly match the finish and appearance of the defective item due to the natural ageing process of the wood and finishes of the cabinets. Fabuwood may require at its discretion that the customer submit a clear photo, or that a company representative inspect the item being claimed before honoring this warranty.

CLAIMS

To submit a claim covered under this warranty, the claim must be filed through Fabuwood's EZ pricing system by the original Fabuwood-authorized dealer. In case the original dealer cannot be identified, or they have closed down, the warranty claim, must be emailed to customerservice@fabuwood.com. The email should explain the issue and include pictures showing the claimed defects. Feel free to call 201-432-6555 ext. 1 for assistance.

NOTE

Please do not send back any items to Fabuwood prior to receiving proper authorization from customer service. Fabuwood takes no responsibility on any items sent back to Fabuwood without proper return authorization.

Last Modified: 01/26/2023: Change of limited warranty duration from 5-years to the original purchaser of the cabinetry for as long as they own their home.

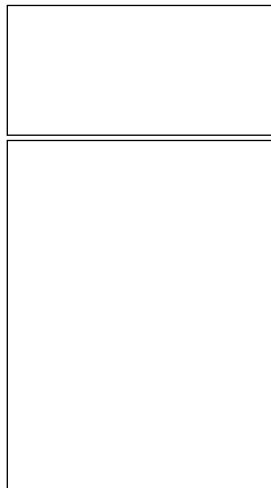
Door Styles



CATALINA

COLOR	FINISH
Bianco (ICBG)	Lacquered Boards with High Gloss Finish
Grigio (ICGG)	Lacquered Boards with High Gloss Finish
Bianco (ICBM)	Lacquered Boards with Matte Finish
Carbone (ICCM)	Lacquered Boards with Matte Finish
COMO ASH 2	Resin Coated Boards with Textured Finish
MURATTI 1	Resin Coated Boards with Textured Finish
MURATTI 4	Resin Coated Boards with Textured Finish
NOCCE 3	Resin Coated Boards with Textured Finish
OLMO 3	Resin Coated Boards with Textured Finish

- Full Overlay Slab Door and Drawer Fronts (Euro Overlay with Frameless Box)
- Doors and Drawer fronts in the Catalina door style are consist of an MDF core with high-quality PerfectSense Lacquered Boards and edge-banding in Gloss or Matte Finishes
- Blum Clip-On Hinges with Blumotion Soft-Close and Quick-Release Technology (Blum Model#71B358E)
- Tandembox Full-Extension Metal Drawer System with Blumotion Concealed Runners

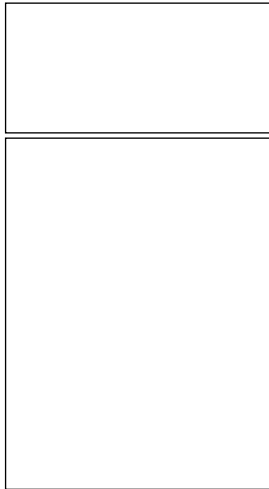


CATALINA DESIGNER'S COLLECTION

COLOR	FINISH
COMO ASH 1 (ICDC)	Resin Coated Boards with Textured Finish
FRAPPE 1 (ICDC)	Resin Coated Boards with Textured Finish
ICE CREAM 1 (ICDC)	Resin Coated Boards with Textured Finish
IDA 1 (ICDC)	Resin Coated Boards with Textured Finish
IDA 2 (ICDC)	Resin Coated Boards with Textured Finish
NOCCE 3 (ICDC)	Resin Coated Boards with Textured Finish
ROSALES 1 (ICDC)	Resin Coated Boards with Textured Finish
ROSALES 2 (ICDC)	Resin Coated Boards with Textured Finish
ROSALES 3 (ICDC)	Resin Coated Boards with Textured Finish
WOODLINE 1 (ICDC)	Resin Coated Boards with Textured Finish
WOODLINE 3 (ICDC)	Resin Coated Boards with Textured Finish
WOODLINE 4 (ICDC)	Resin Coated Boards with Textured Finish

- Full Overlay Slab Door and Drawer Fronts (Euro Overlay with Frameless Box)
- Doors and Drawer fronts in the Catalina Designer door style are consist of an MDF (Matte/Gloss finishes) or EFB care (Textured finishes) featuring High-quality ProTouch techniques and matching edge-banding
- Blum Clip-On Hinges with Blumotion Soft-Close and Quick-Release Technology (Blum Model#71B358E)
- Tandembox Full-Extension Metal Drawer System with Blumotion Concealed Runners

Door Styles

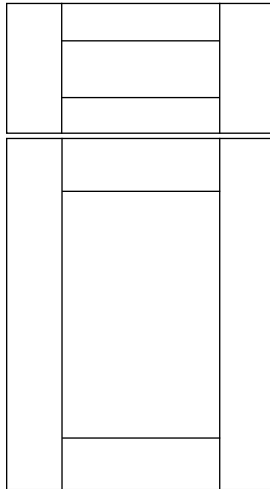


CATALINA DESIGNER'S COLLECTION CONT.

COLOR	FINISH
AGUA MARINA (ICDC)	Lacquered Boards with High Gloss Finish
AZUL INDIGO (ICDC)	Lacquered Boards with High Gloss Finish
AZUL MARINO (ICDC)	Lacquered Boards with High Gloss Finish
BLACK (ICDC)	Lacquered Boards with High Gloss Finish
BLANCO (ICDC)	Lacquered Boards with High Gloss Finish
CASHMERE (ICDC)	Lacquered Boards with High Gloss Finish
EUROLINE (ICDC)	Lacquered Boards with High Gloss Finish
GRIS NUBE (ICDC)	Lacquered Boards with High Gloss Finish
GUAYANA (ICDC)	Lacquered Boards with High Gloss Finish
METALLO 1 (ICDC)	Lacquered Boards with High Gloss Finish
METALLO 4 (ICDC)	Lacquered Boards with High Gloss Finish
OLIVO (ICDC)	Lacquered Boards with High Gloss Finish
TEXTIL PLATA (ICDC)	Lacquered Boards with High Gloss Finish
AGUA MARINA (ICDC)	Lacquered Boards with Matte Finish
ANTRACITA (ICDC)	Lacquered Boards with Matte Finish
AZUL INDIGO (ICDC)	Lacquered Boards with Matte Finish
AZUL MARINO (ICDC)	Lacquered Boards with Matte Finish
BASALTO (ICDC)	Lacquered Boards with Matte Finish
BLACK (ICDC)	Lacquered Boards with Matte Finish
BLANCO (ICDC)	Lacquered Boards with Matte Finish
CASHMERE (ICDC)	Lacquered Boards with Matte Finish
GRIS PLOMO (ICDC)	Lacquered Boards with Matte Finish
VERDE SALVIA (ICDC)	Lacquered Boards with Matte Finish

- Full Overlay Slab Door and Drawer Fronts (Euro Overlay with Frameless Box)
- Doors and Drawer fronts in the Catalina Designer door style are consist of an MDF (Matte/Gloss finishes) or EFB care (Textured finishes) featuring High-quality ProTouch techniques and matching edge-banding
- Blum Clip-On Hinges with Blumotion Soft-Close and Quick-Release Technology (Blum Model#71B358E)
- Tandembox Full-Extension Metal Drawer System with Blumotion Concealed Runners

Door Styles

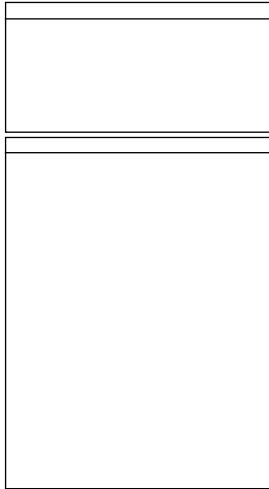


TUSCANY DESIGNER'S COLLECTION

COLOR	FINISH
COMO ASH 1 (ITDC)	Resin Coated Boards with Textured Finish
COMO ASH 2 (ITDC)	Resin Coated Boards with Textured Finish
FRAPPE 1 (ITDC)	Resin Coated Boards with Textured Finish
IDA 1 (ITDC)	Resin Coated Boards with Textured Finish
IDA 2 (ITDC)	Resin Coated Boards with Textured Finish
MURATTI 1 (ITDC)	Resin Coated Boards with Textured Finish
MURATTI 4 (ITDC)	Resin Coated Boards with Textured Finish
NOCCE 1 (ITDC)	Resin Coated Boards with Textured Finish
NOCCE 3 (ITDC)	Resin Coated Boards with Textured Finish
OLMO 3 (ITDC)	Resin Coated Boards with Textured Finish
ROSALES 2 (ITDC)	Resin Coated Boards with Textured Finish
ROSALES 3 (ITDC)	Resin Coated Boards with Textured Finish
WOODLINE 1 (ITDC)	Resin Coated Boards with Textured Finish
WOODLINE 3 (ITDC)	Resin Coated Boards with Textured Finish
ANTRACITA (ITDC)	Lacquered Boards with Matte Finish
AZUL INDIGO (ITDC)	Lacquered Boards with Matte Finish
AZUL MARINO (ITDC)	Lacquered Boards with Matte Finish
BASALTO (ITDC)	Lacquered Boards with Matte Finish
BLANCO (ITDC)	Lacquered Boards with Matte Finish
CASHMERE (ITDC)	Lacquered Boards with Matte Finish
VERDE SALVIA (ITDC)	Lacquered Boards with Matte Finish

- Full Overlay 5-Piece & matching 5-piece Drawer Fronts (Euro Overlay with Frameless Box)
- Doors and Drawer fronts in the Tuscany Designer door style are consist of an MDF (Matte finishes) or EFB core (Textured finishes) featuring High-quality ProTouch Techniques and matching edge-banding
- Blum Clip-On Hinges with Blumotion Soft-Close and Quick-Release Technology (Blum Model#71B358E)
- Tandembox Full-Extension Metal Drawer System with Blumotion Concealed Runners

Door Styles

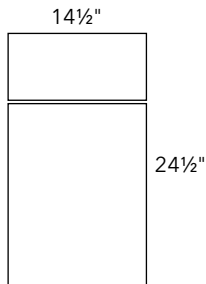


VENETIAN DESIGNER'S COLLECTION

COLOR	FINISH
COMO ASH 1 (ITDC)	Resin Coated Boards with Textured Finish
COMO ASH 2 (IVDC)	Resin Coated Boards with Textured Finish
MURATTI 1 (ITDC)	Resin Coated Boards with Textured Finish
MURATTI 4 (ITDC)	Resin Coated Boards with Textured Finish
NOCCE 1 (ITDC)	Resin Coated Boards with Textured Finish
NOCCE 3 (ITDC)	Resin Coated Boards with Textured Finish
ROSALES 2 (ITDC)	Resin Coated Boards with Textured Finish
ROSALES 3 (ITDC)	Resin Coated Boards with Textured Finish
WOODLINE 1 (ITDC)	Resin Coated Boards with Textured Finish
WOODLINE 3 (ITDC)	Resin Coated Boards with Textured Finish
BLANCO (ITDC)	Lacquered Boards with High Gloss Finish
ANTRACITA (ITDC)	Lacquered Boards with Matte Finish
AZUL MARINO (ITDC)	Lacquered Boards with Matte Finish
BLACK (ITDC)	Lacquered Boards with Matte Finish
BLANCO (ITDC)	Lacquered Boards with Matte Finish
VERDE SALVIA (ITDC)	Lacquered Boards with Matte Finish

- Full Overlay Slab Door and Drawer Fronts with integrated finger-pull detail (Euro Overlay with Frameless Box)
- Doors and Drawer fronts in the Venetian Designer door style are consist of an MDF (Matte/Gloss finishes) or EFB core (Textured finishes) featuring High-quality ProTouch techniques and matching edge-banding
- Blum Clip-On Hinges with Blumotion Soft-Close and Quick-Release Technology (Blum Model#71B358E)
- Tandembox Full-Extension Metal Drawer System with Blumotion Concealed Runners

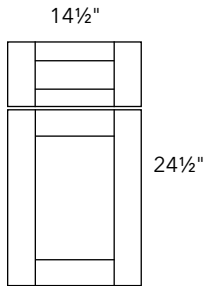
Sample Doors



CATALINA DOOR SAMPLES WITH DRAWER FRONT

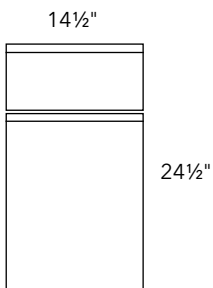
ITEM	DESCRIPTION
SDICBG	CATALINA BIANCO GLOSS SAMPLE DOOR
SDICGG	CATALINA GRIGIO GLOSS SAMPLE DOOR
SDICBM	CATALINA BIANCO MATTE SAMPLE DOOR
SDICCM	CATALINA CARBONE MATTE SAMPLE DOOR
SDICC2	CATALINA COMO ASH 2 SAMPLE DOOR
SDICM1	CATALINA MURATTI 1 SAMPLE DOOR
SDICM4	CATALINA MURATTI 4 SAMPLE DOOR
SDICN3	CATALINA NOCCE 3 SAMPLE DOOR
SDICO3	CATALINA OLMO 3 SAMPLE DOOR
SDIC COMO ASH 1	CATALINA COMO ASH 1 SAMPLE DOOR
SDIC FRAPPE 1	CATALINA FRAPPE 1 SAMPLE DOOR
SDIC ICE CREAM 1	CATALINA ICECREAM 1 SAMPLE DOOR
SDIC IDA 1	CATALINA IDA 1 SAMPLE DOOR
SDIC IDA 2	CATALINA IDA 2 SAMPLE DOOR
SDIC NOCCE 1	CATALINA NOCCE 1 SAMPLE DOOR
SDIC ROSALES 1	CATALINA ROSALES 1 SAMPLE DOOR
SDIC ROSALES 2	CATALINA ROSALES 2 SAMPLE DOOR
SDIC ROSALES 3	CATALINA ROSALES 3 SAMPLE DOOR
SDIC WOODLINE 1	CATALINA WOODLINE 1 SAMPLE DOOR
SDIC WOODLINE 3	CATALINA WOODLINE 3 SAMPLE DOOR
SDIC WOODLINE 4	CATALINA WOODLINE 4 SAMPLE DOOR
SDIC AGUA MARINA G	CATALINA AGUA MARINA GLOSS SAMPLE DOOR
SDIC AZUL INDIGO G	CATALINA AZUL INDIGO GLOSS SAMPLE DOOR
SDIC AZUL MARINO G	CATALINA AZUL MARINO GLOSS SAMPLE DOOR
SDIC BLACK G	CATALINA BLACK GLOSS SAMPLE DOOR
SDIC BLANCO G	CATALINA BLANCO GLOSS SAMPLE DOOR
SDIC CASHMERE G	CATALINA CASHMERE GLOSS SAMPLE DOOR
SDIC EUROLINE G	CATALINA EUROLINE GLOSS SAMPLE DOOR
SDIC GRIS NUBE G	CATALINA GRIS NUBE GLOSS SAMPLE DOOR
SDIC GUAYANA G	CATALINA GUAYANA GLOSS SAMPLE DOOR
SDIC METALLO 1 G	CATALINA METALLO 1 GLOSS SAMPLE DOOR
SDIC METALLO 4 G	CATALINA METALLO 4 GLOSS SAMPLE DOOR
SDIC OLIVO G	CATALINA OLIVO GLOSS SAMPLE DOOR
SDIC TEXTIL PLATA G	CATALINA TEXTIL PLATA GLOSS SAMPLE DOOR
SDIC AGUA MARINA M	CATALINA AGUA MARINA MATTE SAMPLE DOOR
SDIC ANTRACITA M	CATALINA ANTRACITA MATTE SAMPLE DOOR
SDIC AZUL INDIGO M	CATALINA AZUL INDIGO MATTE SAMPLE DOOR
SDIC AZUL MARINO M	CATALINA AZUL MARINO MATTE SAMPLE DOOR
SDIC BASALTO M	CATALINA BASALTO MATTE SAMPLE DOOR
SDIC BLACK M	CATALINA BLACK MATTE SAMPLE DOOR
SDIC BLANCO M	CATALINA BLANCO MATTE SAMPLE DOOR
SDIC CASHMERE M	CATALINA CASHMERE MATTE SAMPLE DOOR
SDIC GRIS PLOMO M	CATALINA GRIS PLOMO MATTE SAMPLE DOOR
SDIC VERDE SALVIA M	CATALINA VERDE SALVIA MATTE SAMPLE DOOR

Sample Doors



TUSCANY DOOR SAMPLES WITH DRAWER FRONT

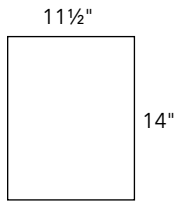
ITEM	DESCRIPTION
SDIT COMO ASH 1	TUSCANY COMO ASH 1 SAMPLE DOOR
SDIT COMO ASH 2	TUSCANY COMO ASH 2 SAMPLE DOOR
SDIT FRAPPE 1	TUSCANY FRAPPE 1 SAMPLE DOOR
SDIT IDA 1	TUSCANY IDA 1 SAMPLE DOOR
SDIT IDA 2	TUSCANY IDA 2 SAMPLE DOOR
SDIT MURATTI 1	TUSCANY MURATTI 1 SAMPLE DOOR
SDIT MURATTI 4	TUSCANY MURATTI 4 SAMPLE DOOR
SDIT NOCCE 1	TUSCANY NOCCE 1 SAMPLE DOOR
SDIT NOCCE 3	TUSCANY NOCCE 3 SAMPLE DOOR
SDIT OLMO 3	TUSCANY OLMO 3 SAMPLE DOOR
SDIT ROSALES 2	TUSCANY ROSALES 2 SAMPLE DOOR
SDIT ROSALES 3	TUSCANY ROSALES 3 SAMPLE DOOR
SDIT WOODLINE 1	TUSCANY WOODLINE 1 SAMPLE DOOR
SDIT WOODLINE 3	TUSCANY WOODLINE 3 SAMPLE DOOR
SDIT ANTRACITA M	TUSCANY ANTRACITA MATTE SAMPLE DOOR
SDIT AZUL INDIGO M	TUSCANY AZUL INDIGO MATTE SAMPLE DOOR
SDIT AZUL MARINO M	TUSCANY AZUL MARINO MATTE SAMPLE DOOR
SDIT BASALTO M	TUSCANY BASALTO MATTE SAMPLE DOOR
SDIT BLANCO M	TUSCANY BLANCO MATTE SAMPLE DOOR
SDIT CASHMERE M	TUSCANY CASHMERE MATTE SAMPLE DOOR
SDIT VERDE SALVIA M	TUSCANY VERDE SALVIA MATTE SAMPLE DOOR



VENETIAN DOOR SAMPLES WITH DRAWER FRONT

ITEM	DESCRIPTION
SDIV COMO ASH 1	VENETIAN COMO ASH 1 SAMPLE DOOR
SDIV COMO ASH 2	VENETIAN COMO ASH 2 SAMPLE DOOR
SDIV MURATTI 1	VENETIAN MURATTI 1 SAMPLE DOOR
SDIV MURATTI 4	VENETIAN MURATTI 4 SAMPLE DOOR
SDIV NOCCE 1	VENETIAN NOCCE 1 SAMPLE DOOR
SDIV NOCCE 3	VENETIAN NOCCE 3 SAMPLE DOOR
SDIV ROSALES 2	VENETIAN ROSALES 2 SAMPLE DOOR
SDIV ROSALES 3	VENETIAN ROSALES 3 SAMPLE DOOR
SDIV WOODLINE 1	VENETIAN WOODLINE 1 SAMPLE DOOR
SDIV WOODLINE 3	VENETIAN WOODLINE 3 SAMPLE DOOR
SDIV BLANCO G	VENETIAN BLANCO GLOSS SAMPLE DOOR
SDIV ANTRACITA M	VENETIAN ANTRACITA MATTE SAMPLE DOOR
SDIV AZUL MARINO M	VENETIAN AZUL MARINO MATTE SAMPLE DOOR
SDIV BLACK M	VENETIAN BLACK MATTE SAMPLE DOOR
SDIV BLANCO G	VENETIAN BLANCO GLOSS SAMPLE DOOR
SDIV VERDE SALVIA M	VENETIAN VERDE SALVIA MATTE SAMPLE DOOR

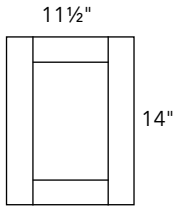
Sample Doors



CATALINA SMALL DOOR SAMPLES

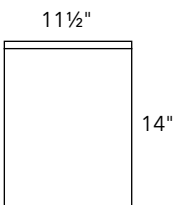
ITEM	DESCRIPTION
SDICBG-2	CATALINA BIANCO GLOSS SAMPLE DOOR 11 1/2" X 14"
SDICGG-2	CATALINA GRIGIO GLOSS SAMPLE DOOR 11 1/2" X 14"
SDICBM-2	CATALINA BIANCO MATTE SAMPLE DOOR 11 1/2" X 14"
SDICCM-2	CATALINA CARBONE MATTE SAMPLE DOOR 11 1/2" X 14"
SDICC2-2	CATALINA COMO ASH 2 SAMPLE DOOR 11 1/2" X 14"
SDICM1-2	CATALINA MURATTI 1 SAMPLE DOOR 11 1/2" X 14"
SDICM4-2	CATALINA MURATTI 4 SAMPLE DOOR 11 1/2" X 14"
SDICN3-2	CATALINA NOCCE 3 SAMPLE DOOR 11 1/2" X 14"
SDICO3-2	CATALINA OLMO 3 SAMPLE DOOR 11 1/2" X 14"
SDIC-2 COMO ASH 1	CATALINA COMO ASH 1 SAMPLE DOOR 11 1/2" X 14"
SDIC-2 FRAPPE 1	CATALINA FRAPPE 1 SAMPLE DOOR 11 1/2" X 14"
SDIC-2 ICE CREAM 1	CATALINA ICECREAM 1 SAMPLE DOOR 11 1/2" X 14"
SDIC-2 IDA 1	CATALINA IDA 1 SAMPLE DOOR 11 1/2" X 14"
SDIC-2 IDA 2	CATALINA IDA 2 SAMPLE DOOR 11 1/2" X 14"
SDIC-2 NOCCE 1	CATALINA NOCCE 1 SAMPLE DOOR 11 1/2" X 14"
SDIC-2 ROSALES 1	CATALINA ROSALES 1 SAMPLE DOOR 11 1/2" X 14"
SDIC-2 ROSALES 2	CATALINA ROSALES 2 SAMPLE DOOR 11 1/2" X 14"
SDIC-2 ROSALES 3	CATALINA ROSALES 3 SAMPLE DOOR 11 1/2" X 14"
SDIC-2 WOODLINE 1	CATALINA WOODLINE 1 SAMPLE DOOR 11 1/2" X 14"
SDIC-2 WOODLINE 3	CATALINA WOODLINE 3 SAMPLE DOOR 11 1/2" X 14"
SDIC-2 WOODLINE 4	CATALINA WOODLINE 4 SAMPLE DOOR 11 1/2" X 14"
SDIC-2 AGUA MARINA G	CATALINA AGUA MARINA GLOSS SAMPLE DOOR 11 1/2" X 14"
SDIC-2 AZUL INDIGO G	CATALINA AZUL INDIGO GLOSS SAMPLE DOOR 11 1/2" X 14"
SDIC-2 AZUL MARINO G	CATALINA AZUL MARINO GLOSS SAMPLE DOOR 11 1/2" X 14"
SDIC-2 BLACK G	CATALINA BLACK GLOSS SAMPLE DOOR 11 1/2" X 14"
SDIC-2 BLANCO G	CATALINA BLANCO GLOSS SAMPLE DOOR 11 1/2" X 14"
SDIC-2 CASHMERE G	CATALINA CASHMERE GLOSS SAMPLE DOOR 11 1/2" X 14"
SDIC-2 EUROLINE G	CATALINA EUROLINE GLOSS SAMPLE DOOR 11 1/2" X 14"
SDIC-2 GRIS NUBE G	CATALINA GRIS NUBE GLOSS SAMPLE DOOR 11 1/2" X 14"
SDIC-2 GUAYANA G	CATALINA GUAYANA GLOSS SAMPLE DOOR 11 1/2" X 14"
SDIC-2 METALLO 1 G	CATALINA METALLO 1 GLOSS SAMPLE DOOR 11 1/2" X 14"
SDIC-2 METALLO 4 G	CATALINA METALLO 4 GLOSS SAMPLE DOOR 11 1/2" X 14"
SDIC-2 OLIVO G	CATALINA OLIVO GLOSS SAMPLE DOOR 11 1/2" X 14"
SDIC-2 TEXTIL PLATA G	CATALINA TEXTIL PLATA GLOSS SAMPLE DOOR 11 1/2" X 14"
SDIC-2 AGUA MARINA M	CATALINA AGUA MARINA MATTE SAMPLE DOOR 11 1/2" X 14"
SDIC-2 ANTRACITA M	CATALINA ANTRACITA MATTE SAMPLE DOOR 11 1/2" X 14"
SDIC-2 AZUL INDIGO M	CATALINA AZUL INDIGO MATTE SAMPLE DOOR 11 1/2" X 14"
SDIC-2 AZUL MARINO M	CATALINA AZUL MARINO MATTE SAMPLE DOOR 11 1/2" X 14"
SDIC-2 BASALTO M	CATALINA BASALTO MATTE SAMPLE DOOR 11 1/2" X 14"
SDIC BLACK M	CATALINA BLACK MATTE SAMPLE DOOR 11 1/2" X 14"
SDIC BLANCO M	CATALINA BLANCO MATTE SAMPLE DOOR 11 1/2" X 14"
SDIC CASHMERE M	CATALINA CASHMERE MATTE SAMPLE DOOR 11 1/2" X 14"
SDIC GRIS PLOMO M	CATALINA GRIS PLOMO MATTE SAMPLE DOOR 11 1/2" X 14"
SDIC VERDE SALVIA M	CATALINA VERDE SALVIA MATTE SAMPLE DOOR 11 1/2" X 14"

Sample Doors



TUSCANY SMALL DOOR SAMPLES

ITEM	DESCRIPTION
SDIT COMO ASH 1	TUSCANY COMO ASH 1 SAMPLE DOOR 11 1/2" X 14"
SDIT COMO ASH 2	TUSCANY COMO ASH 2 SAMPLE DOOR 11 1/2" X 14"
SDIT FRAPPE 1	TUSCANY FRAPPE 1 SAMPLE DOOR 11 1/2" X 14"
SDIT IDA 1	TUSCANY IDA 1 SAMPLE DOOR 11 1/2" X 14"
SDIT IDA 2	TUSCANY IDA 2 SAMPLE DOOR 11 1/2" X 14"
SDIT MURATTI 1	TUSCANY MURATTI 1 SAMPLE DOOR 11 1/2" X 14"
SDIT MURATTI 4	TUSCANY MURATTI 4 SAMPLE DOOR 11 1/2" X 14"
SDIT NOCCE 1	TUSCANY NOCCE 1 SAMPLE DOOR 11 1/2" X 14"
SDIT NOCCE 3	TUSCANY NOCCE 3 SAMPLE DOOR 11 1/2" X 14"
SDIT OLMO 3	TUSCANY OLMO 3 SAMPLE DOOR 11 1/2" X 14"
SDIT ROSALES 2	TUSCANY ROSALES 2 SAMPLE DOOR 11 1/2" X 14"
SDIT ROSALES 3	TUSCANY ROSALES 3 SAMPLE DOOR 11 1/2" X 14"
SDIT WOODLINE 1	TUSCANY WOODLINE 1 SAMPLE DOOR 11 1/2" X 14"
SDIT WOODLINE 3	TUSCANY WOODLINE 3 SAMPLE DOOR 11 1/2" X 14"
SDIT ANTRACITA M	TUSCANY ANTRACITA MATTE SAMPLE DOOR 11 1/2" X 14"
SDIT AZUL INDIGO M	TUSCANY AZUL INDIGO MATTE SAMPLE DOOR 11 1/2" X 14"
SDIT AZUL MARINO M	TUSCANY AZUL MARINO MATTE SAMPLE DOOR 11 1/2" X 14"
SDIT BASALTO M	TUSCANY BASALTO MATTE SAMPLE DOOR 11 1/2" X 14"
SDIT BLANCO M	TUSCANY BLANCO MATTE SAMPLE DOOR 11 1/2" X 14"
SDIT CASHMERE M	TUSCANY CASHMERE MATTE SAMPLE DOOR 11 1/2" X 14"
SDIT VERDE SALVIA M	TUSCANY VERDE SALVIA MATTE SAMPLE DOOR 11 1/2" X 14"



VENETIAN SMALL DOOR SAMPLES

ITEM	DESCRIPTION
SDIV COMO ASH 1	VENETIAN COMO ASH 1 SAMPLE DOOR 11 1/2" X 14"
SDIV COMO ASH 2	VENETIAN COMO ASH 2 SAMPLE DOOR 11 1/2" X 14"
SDIV MURATTI 1	VENETIAN MURATTI 1 SAMPLE DOOR 11 1/2" X 14"
SDIV MURATTI 4	VENETIAN MURATTI 4 SAMPLE DOOR 11 1/2" X 14"
SDIV NOCCE 1	VENETIAN NOCCE 1 SAMPLE DOOR 11 1/2" X 14"
SDIV NOCCE 3	VENETIAN NOCCE 3 SAMPLE DOOR 11 1/2" X 14"
SDIV ROSALES 2	VENETIAN ROSALES 2 SAMPLE DOOR 11 1/2" X 14"
SDIV ROSALES 3	VENETIAN ROSALES 3 SAMPLE DOOR 11 1/2" X 14"
SDIV WOODLINE 1	VENETIAN WOODLINE 1 SAMPLE DOOR 11 1/2" X 14"
SDIV WOODLINE 3	VENETIAN WOODLINE 3 SAMPLE DOOR 11 1/2" X 14"
SDIV BLANCO G	VENETIAN BLANCO GLOSS SAMPLE DOOR 11 1/2" X 14"
SDIV ANTRACITA M	VENETIAN ANTRACITA MATTE SAMPLE DOOR 11 1/2" X 14"
SDIV AZUL MARINO M	VENETIAN AZUL MARINO MATTE SAMPLE DOOR 11 1/2" X 14"
SDIV BLACK M	VENETIAN BLACK MATTE SAMPLE DOOR 11 1/2" X 14"
SDIV BLANCO G	VENETIAN BLANCO GLOSS SAMPLE DOOR 11 1/2" X 14"
SDIV VERDE SALVIA M	VENETIAN VERDE SALVIA MATTE SAMPLE DOOR 11 1/2" X 14"

Sales Tools



ILLUME MINI BASE SAMPLE

ITEM	DESCRIPTION
ICBG MBS	Illume Catalina Bianco Gloss Mini Base Sample

- Available in Catalina Bianco Gloss only
- Mini Base Dimensions: 12"W x 21"H x 15"D
- Mini Base is 21"H before attaching Adjustable Furniture Feet

SAMPLE DOOR STAND

ITEM	DESCRIPTION
SAMPLE DOOR STAND	SAMPLE DOOR DISPLAY STAND

- Stand can be easily unassembled and re-assembled for storage or portability to trade shows
- Sample Door Display stand can hold up to nine sample doors
- Will accommodate sizing for all door styles



Shown with SD



Shown with SD-2



DIGITAL BROCHURE

ITEM	DESCRIPTION
DIGITAL BROCHURE QR	QR CODE KEY RING

- Pack of 25 Key Rings



STYLE GUIDE

ITEM	DESCRIPTION
SG23	25PK. 2023 STYLE GUIDE BROCHURE

- Pack of 25 Style Guides

Sales Tools



SELLING CENTER

ITEM	DESCRIPTION
DEALER SELLING CENTER	FABUWOOD SELLING CENTER
ACRYLIC LOGO 38X8	FABUWOOD ACRYLIC LOGO DISPLAY SIGN 38"X8"

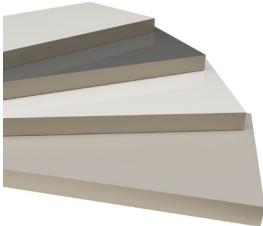
Fabuwood Selling Center Display comes with:

- three (3) Base Cabinets, 12"W x 16" x
- FSC B12 include the following finishes: Illume Catalina Bianco Gloss, Allure Galaxy Nickel, & Quest Discovery Frost
- Full set of Large Sample Doors
- One of each molding chain for Allure, Quest
- Includes one Box set each of Color Blocks and Express Color Blocks
- Digital Brochure Keychains (Pack of 25)
- Pack of 25 Style Guide Brochures
- Acrylic Logo Sign included and available for separate purchase



Fabuwood Logo Sign:

- Now available as a stand-alone item for endless display options. Hang our sign amongst a gallery wall of Fabuwood Sample Doors, or pair with a Fabuwood vignette to create a unique Selling Center tailored to your individual showroom style.
- Acrylic sign predrilled with decorative chrome plated standoffs included.



COLOR BLOCKS

ITEM	DESCRIPTION
ILLUME COLOR BLOCK	BOX OF COLOR BLOCKS FOR ILLUME

- Set of 4 Illume Color Blocks: Bianco Matte, Bianco Gloss, Carbone Matte, Grigio Gloss



SAMPLE PACKAGES

ITEM	DESCRIPTION
SMALL SAMPLE PACKAGE	SMALL SAMPLE PACKAGE
DEALER PACKAGE	LITERATURE AND ACCESSORIES

Small Sample Package:

- Full Set of Small Sample Doors (door is 11-1/2" x 14"H)

Dealer Package:

- Full set of Large Sample Doors (includes Door & Drawer Front)
- One of each molding chain for Allure, Quest
- Box of Color Blocks
- Digital Brochure Keychains (Pack of 25)

Modifications

CUT ITEMS

ITEM	DESCRIPTION
CUT WIDTH-BASE	reduce width of base cabinet to ----- "wide
CUT WIDTH-TALL	reduce width of tall cabinet to ----- "wide
CUT WIDTH-WALL	reduce width of wall cabinet to ----- "wide
CUT-BASE	Reduce depth of base cabinet
CUT-COLUMN	reduce depth of column to ----- "deep
CUT-DBASE	Reduce depth of drawer base cabinet
CUT-PANEL	Cut down a panel to any size
CUT-ROD	Reduce depth of rollout drawer
CUT-SBASE	Reduce depth of sink base cabinet
CUT-TALL	Reduce depth of tall cabinet
CUT-WALL	Reduce depth of wall cabinet

PIPE CHASE

ITEM	DESCRIPTION
CHASE-BASE	Make chase in base cabinet (must supply a drawing)
CHASE-CORNER	Make chase in corner cabinet ----x---- (WDC, WPC, ERB only)
CHASE-DBASE	Make chase in drawer cabinet (must supply drawing)
CHASE-TALL	Make chase in tall cabinet (must supply a drawing)
CHASE-WALL	Make chase in wall cabinet (must supply a drawing)

Must supply a drawing for all chase modifications.

CUSTOMIZATIONS

ITEM	DESCRIPTION
HAMPER	Install door mounted pull out wood hamper in cabinet
INCREASE-BASE	Increase depth on base cabinet.
INCREASE-TALL	Increase depth on tall cabinet.
INCREASE-WALL	Increase depth on wall cabinet.
INSTALL-ACCES	Install any accessory in a cabinet (accessories not included)

* Email orders@fabuwood.com for quote

NOTE: Increased depth of Rollout drawers are by custom request only and are not included in INCREASE-BASE, INCREASE-TALL, and INCREASE-WALL modifications. Custom quote required.

Notice regarding Illume Customizations:

Any customizations for the Illume Frameless line are manufactured and assembled in our Newark Manufacturing facility and will not include the Threespine® Click Technology.

Loose Parts

LOOSE PARTS

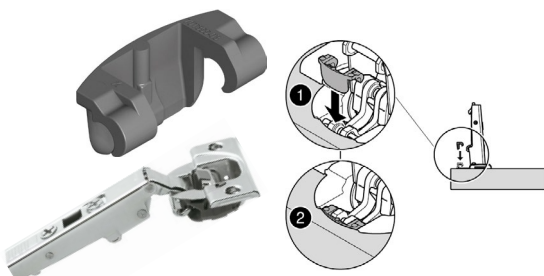
ITEM	DESCRIPTION
EDGE-BAND	Additional edge banding (price per linear foot)
ITKL-4	Illume Toe Kick Leg Pack of 4
SK BASE*	Skin for base cabinet with adhesion
SK MC*	Skin for microwave wall cabinet w/ adhesion - 21" x 42" (to finish sides of 30" & 36" trimmed on site)
SK TALL*	Skin for tall cabinet w/ adhesion - 24" x 91-1/2" (to use for 90 & 84 side panels trimmed on site)
SK W30*	Skin for 30" high wall cabinet w/ adhesion
SK W36*	Skin for 36" high wall cabinet w/ adhesion
SK W42*	Skin for 42" high wall cabinet w/ adhesion
SK WD*	Skin for wall with drawer cabinet w/ adhesion - 15" x 60" (finish sides of 48" & 54" trimmed on site)
SK T13D*	Skin for Tall 13" deep cabinet w/ adhesion
PROTECTIVE FILM ERASER	Eraser to remove Illume protective film
STEM BUMPER	Individual Stem Bumper

- Protective Film Eraser removes adhesive residue on cabinet finish
- * Loose Finished Skins are 1/16" thick

RESTRICTOR CLIPS

ITEM	DESCRIPTION
BLUM-ILLUME RES CLIP 10PK	PACK OF 10 BLUM ILLUME ANGLE RESTRICTION CLIP
BLUM-LBS RES CLIP 2PK	PACK OF 2 BLUM LSB ANGLE RESTRICTION CLIP
STEM BUMPER	Individual Stem Bumper

- Illume Angle Restrictor Clip:
 - BLUM Angle Restriction Clip for Illume CLIP-ON BLUMOTION Hinges.
 - Reduces swing from 110-deg to 86-deg
 - One clip required per every two hinges. For a 30" high door, use 1 clip. For 36" to 42" high Door, use 2 clips.
- LSB Angle Restrictor Clip:
 - BLUM Angle Restriction Clip for Lazy Susan 170-deg CLIP-ON Hinges
 - Reduces door LSB swing from 170-deg to 130-deg .
 - Easy to install, the LSB 170-deg angle restrictor clip snaps on to the projection point of the hinge.



BLUM-ILLUME RES CLIP



BLUM-LBS RES CLIP

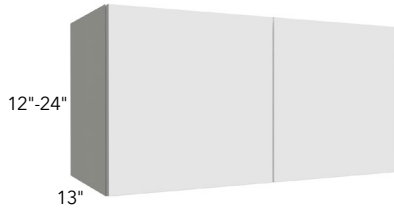


PROTECTIVE FILM ERASER



STEM BUMPER

12" - 24" High Wall Cabinets

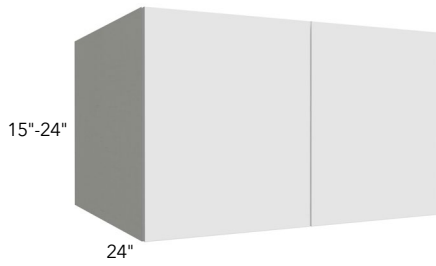


DOUBLE DOOR

ITEM
W3012
W3312
W3612
W3015
W3315
W3615
W3018
W3318
W3618
* W3024
* W3324
* W3624

* Includes one adjustable shelf

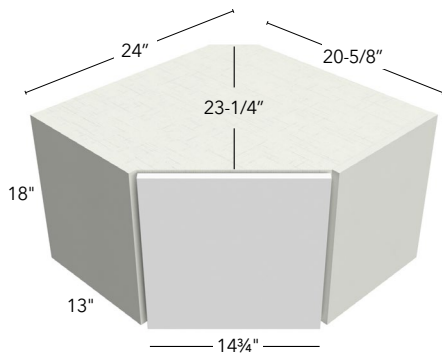
12" - 24" High & 24" Deep Wall Cabinets



24" DEEP

ITEM
W301224
W331224
W361224
W301824
W331824
W361824
* W242424
* W302424
* W332424
* W362424

* Includes one adjustable shelf



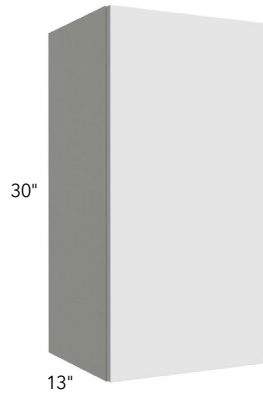
DIAGONAL CORNER

ITEM
WDC2415
WDC2418

- 9mm thick door bumper

Note: Need to indicate R or L at time of order

30" High Wall Cabinets

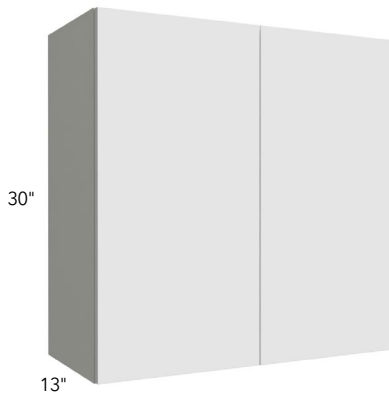


SINGLE DOOR

ITEM
W0930
W1230
W1530
W1830
W2130
W2430SD

- Includes two adjustable shelves

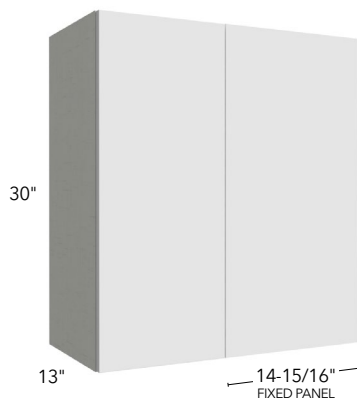
Note: Need to indicate R or L at time of order



DOUBLE DOOR

ITEM
W2430
W2730
W3030
W3330
W3630

- Includes two adjustable shelves



BLIND RIGHT SHOWN

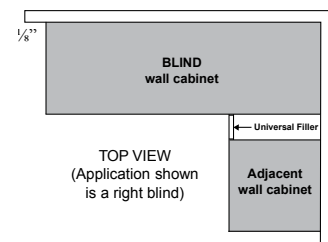
SINGLE DOOR BLIND

ITEM
WBC2730
WBC3030
WBC3630

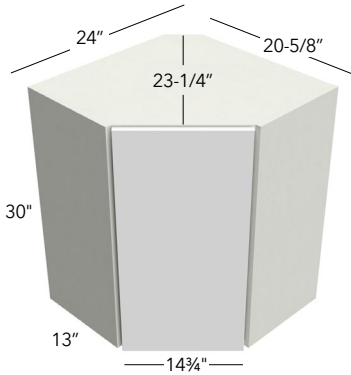
- Must use filler on adjacent side (not supplied)
- Dimensions are rounded off to nearest 1/16"
- Includes two adjustable shelves

Note: Need to indicate Blind Left or Blind Right at time of order

	Act.	Door	Open (door side)
WBC2730	27"	11-7/8"	11-1/4"
WBC3030	30"	14-7/8"	14-1/4"
WBC3630	36"	20-7/8"	20-3/16"



30" High Wall Cabinets

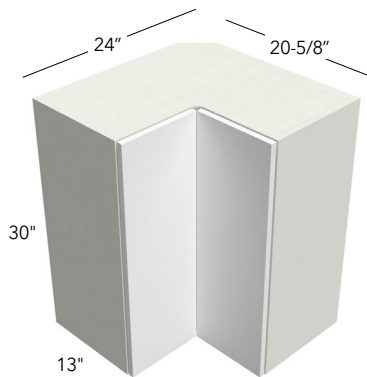


DIAGONAL CORNER

ITEM
WDC2430

- 9mm thick door bumper
- Includes two adjustable shelves

Note: Need to indicate R or L at time of order

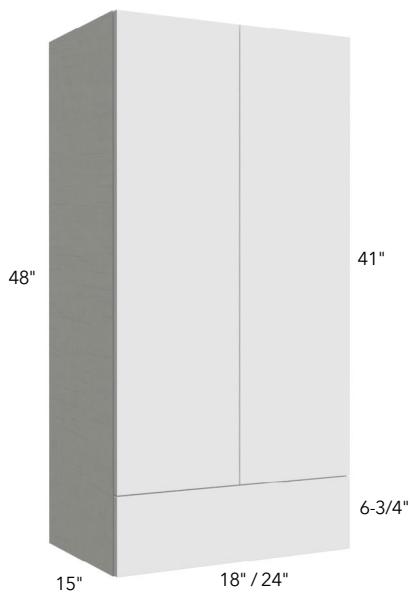


PIE CUT CORNER

ITEM
WPC2430

- Soft close hinge not available
- Includes two adjustable shelves

Note: Need to indicate R or L at time of order

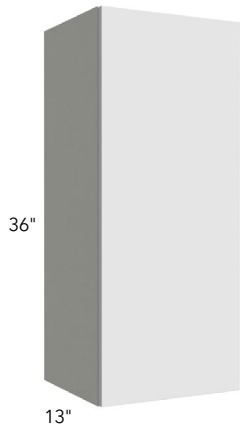


WALL WITH DRAWER

ITEM
* WD1848
WD2448

- * Has one door. Need to indicate R or L at time of order
- Includes two adjustable shelves

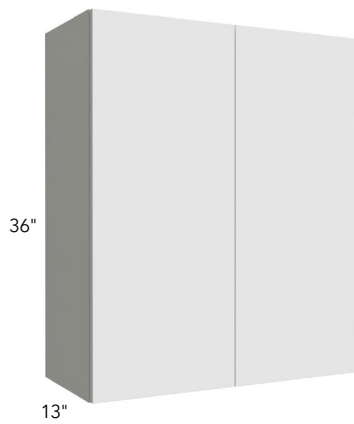
36" High Wall Cabinets



SINGLE DOOR

ITEM
W0936
W1236
W1536
W1836
W2136
W2436SD

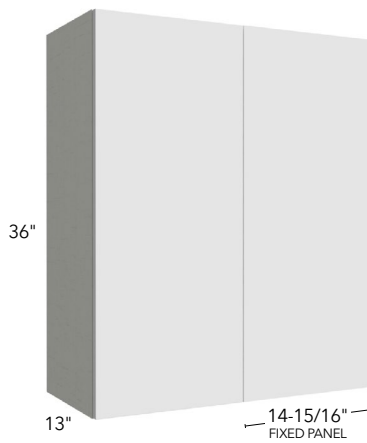
- Includes two adjustable shelves
- Note: Need to indicate R or L at time of order*



DOUBLE DOOR

ITEM
W2436
W2736
W3036
W3336
W3636

- Includes two adjustable shelves



SINGLE DOOR BLIND

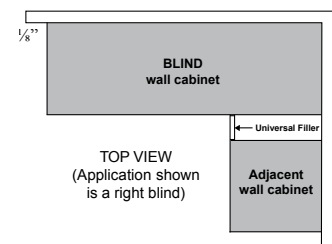
ITEM
WBC2736
WBC3036
WBC3636

- Must use filler on adjacent side (not supplied)
- Dimensions are rounded off to nearest 1/16"
- Includes two adjustable shelves

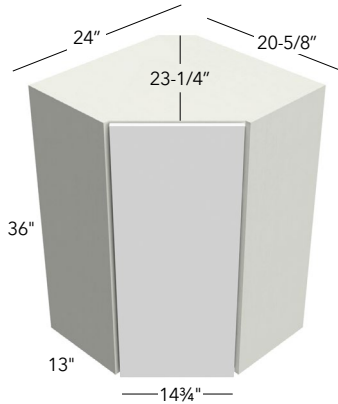
Note: Need to indicate Blind Left or Blind Right at time of order

	Act.	Door	Open (door side)
WBC2736	27"	11-7/8"	11-1/4"
WBC3036	30"	14-7/8"	14-1/4"
WBC3636	36"	20-7/8"	20-3/16"

BLIND RIGHT SHOWN



36" High Wall Cabinets

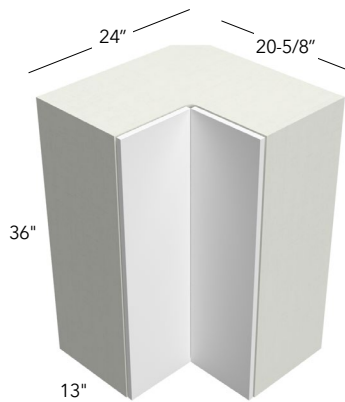


DIAGONAL CORNER

ITEM
WDC2436

- 9mm thick door bumper
- Includes two adjustable shelves

Note: Need to indicate R or L at time of order

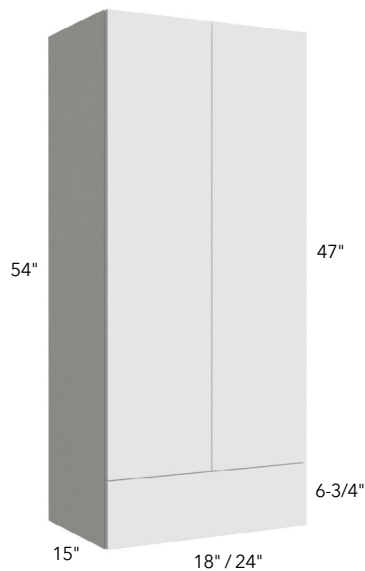


PIE CUT CORNER

ITEM
WPC2436

- Soft close hinge not available
- Includes two adjustable shelves

Note: Need to indicate R or L at time of order

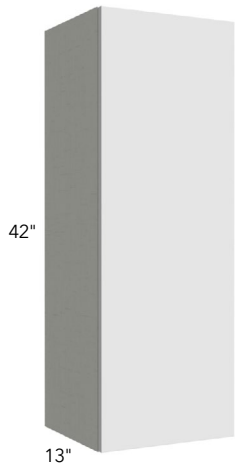


WALL WITH DRAWER

ITEM
* WD1854
WD2454

- * Has one door. Need to indicate R or L at time of order
- Includes two adjustable shelves

42" High Wall Cabinets

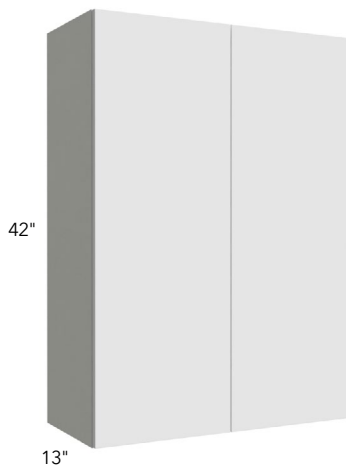


SINGLE DOOR

ITEM
W0942
W1242
W1542
W1842
W2142
W2442SD

- Includes three adjustable shelves

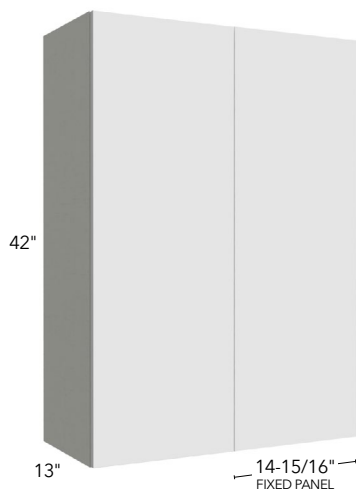
Note: Need to indicate R or L at time of order



DOUBLE DOOR

ITEM
W2442
W2742
W3042
W3342
W3642

- Includes three adjustable shelves



BLIND RIGHT SHOWN

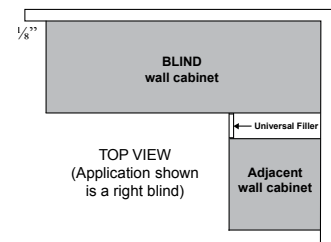
SINGLE DOOR BLIND

ITEM
WBC2742
WBC3042
WBC3642

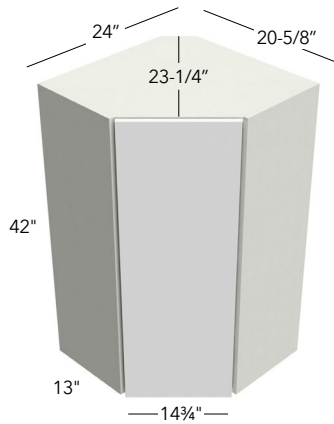
- Must use filler on adjacent side (not supplied)
- Dimensions are rounded off to nearest 1/16"
- Includes three adjustable shelves

Note: Need to indicate Blind Left or Blind Right at time of order

	Act.	Door	Open (door side)
WBC2742	27"	11-7/8"	11-1/4"
WBC3042	30"	14-7/8"	14-1/4"
WBC3642	36"	20-7/8"	20-3/16"



42" High Wall Cabinets

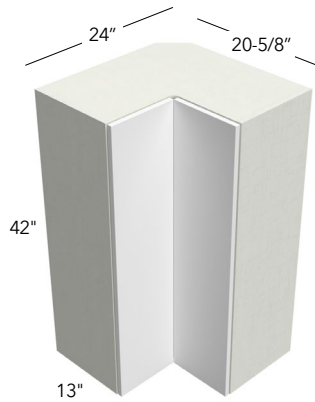


DIAGONAL CORNER

ITEM
WDC2442

- 9mm thick door bumper
- Includes three adjustable shelves

Note: Need to indicate R or L at time of order

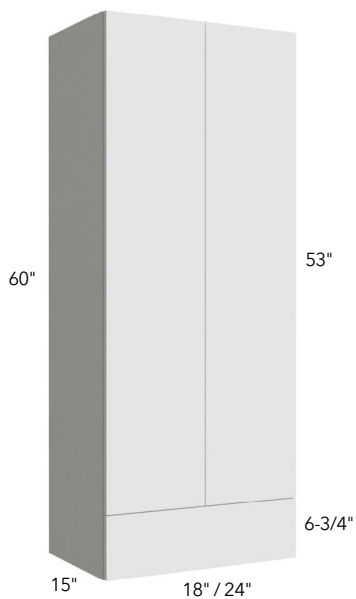


PIE CUT CORNER

ITEM
WPC2442

- Soft close hinge not available
- Includes three adjustable shelves

Note: Need to indicate R or L at time of order



WALL WITH DRAWER

ITEM
* WD1860
WD2460

- * Has one door. Need to indicate R or L at time of order
- Includes three adjustable shelves

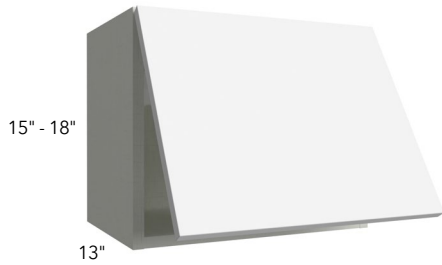
Specialty Wall Cabinets



WALL APPLIANCE

ITEM
WAC2418
WAC3018
WAC3318
WAC3618

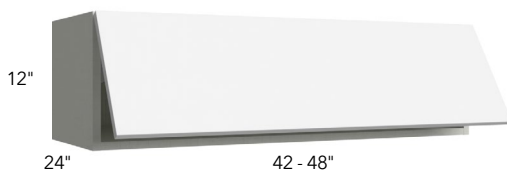
- Shipped with a support bracket to be removed before cabinet installation



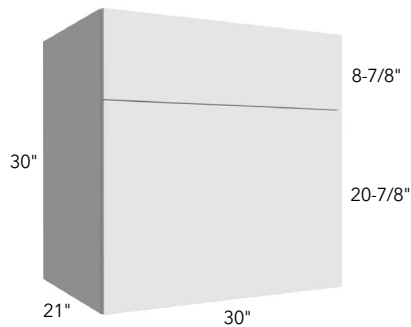
LIFT-UP

ITEM
W1815LU
W2115LU
W2415LU
W2715LU
W3015LU
W3315LU
W3615LU
W1818LU
W2118LU
W2418LU
W2718LU
W3018LU
W3318LU
W3618LU
* W421224LU
* W481224LU

* 24" depth



Microwave Wall Cabinets

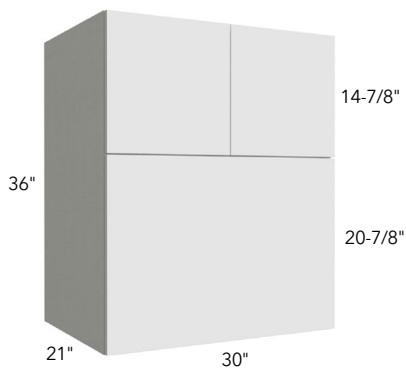


30" MICROWAVE

ITEM
MC303021

- Full closed front:
Max opening 28-1/2"W x 19-3/4"H
- Lift-up door with standard clip-on hinges
- Front panel attaches with clips for easy removal and install
- Additional Edge-Band available for purchase

Note: To avoid damage please apply extra care when cutting the front panel.

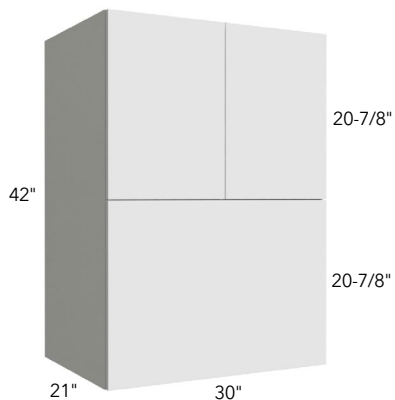


36" MICROWAVE

ITEM
MC303621

- Full closed front:
Max opening 28-1/2"W x 19-3/4"H
- Front panel attaches with clips for easy removal and install
- Additional Edge-Band available for purchase

Note: To avoid damage please apply extra care when cutting the front panel.



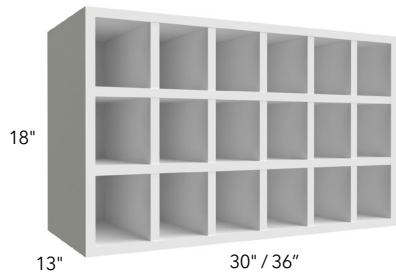
42" MICROWAVE

ITEM
MC304221

- Comes with 1 shelf
- Full closed front:
Max opening 28-1/2"W x 19-3/4"H
- Front panel attaches with clips for easy removal and install
- Additional Edge-Band available for purchase

Note: To avoid damage please apply extra care when cutting the front panel.

Wine Cabinets



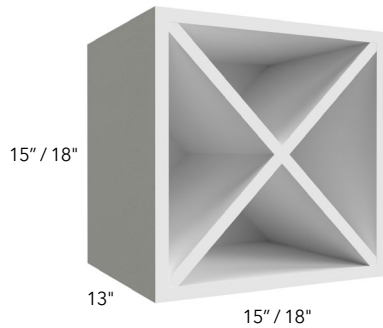
WINE RACK

ITEM

WR3018

WR3618

- *Matching finished interior*
- *30" Fits 18 bottles*
- *36" Fits 21 bottles*



WINE RACK

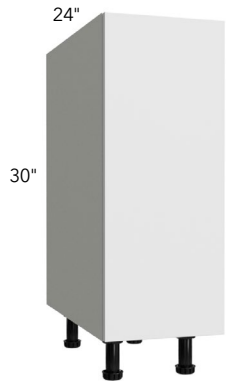
ITEM

WR15X15

WR18X18

- *Matching finished interior*

Base Cabinets

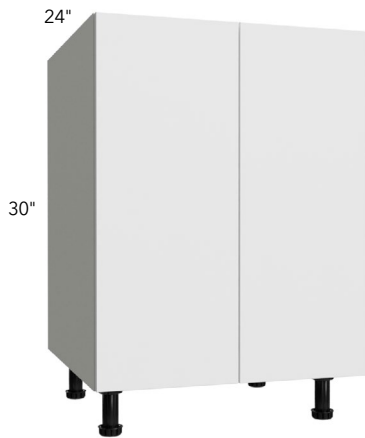


FULL HEIGHT SINGLE DOOR

ITEM
B09FD
B12FD
B15FD
B18FD
B21FD
B24SFD

- Includes two 18" deep adjustable shelves
- Trash Can available on pg. 32
- Roll Out available on pg. 31

Note: Need to indicate R or L at time of order

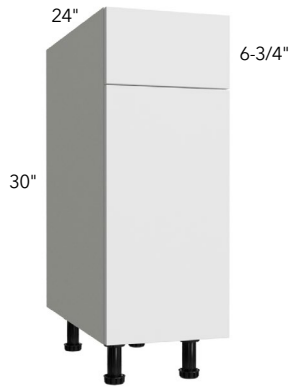


FULL HEIGHT DOUBLE DOOR

ITEM
B24FD
B27FD
B30FD
B33FD
B36FD

- Includes two 18" deep adjustable shelves
- Roll Out available on pg. 31

Base Cabinets

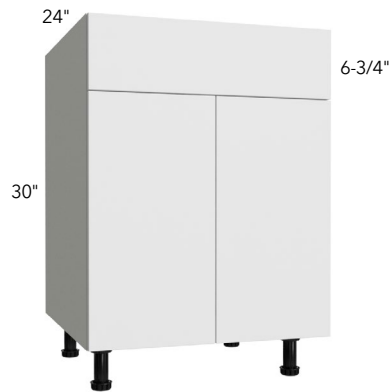


SINGLE DOOR

ITEM
B12
B15
B18
B21
B24SD

- Includes one 18" deep adjustable shelf
- Trash Can available on pg. 32
- Roll Out available on pg. 31

Note: Need to indicate R or L at time of order

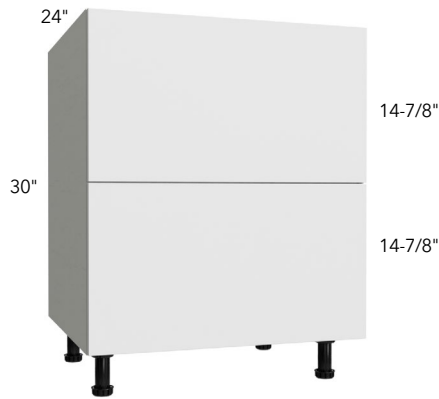


DOUBLE DOOR

ITEM
B24
B27
B30
B33
B36

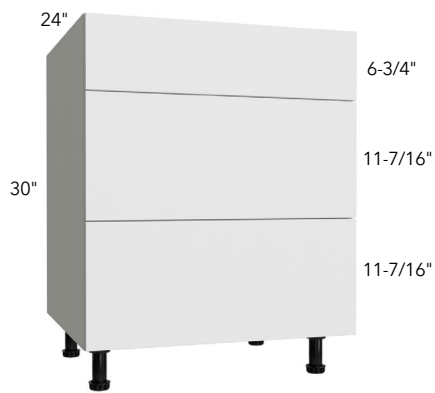
- Includes one 18" deep adjustable shelf
- Roll Out available on pg. 31

Drawer Base Cabinets



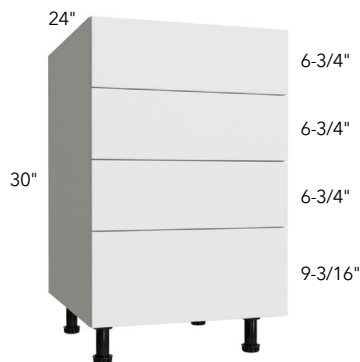
2 DRAWER

ITEM
DB27-2
DB30-2
DB33-2
DB36-2



3 DRAWER

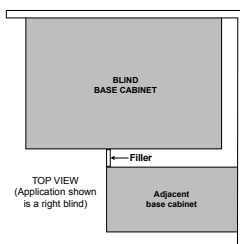
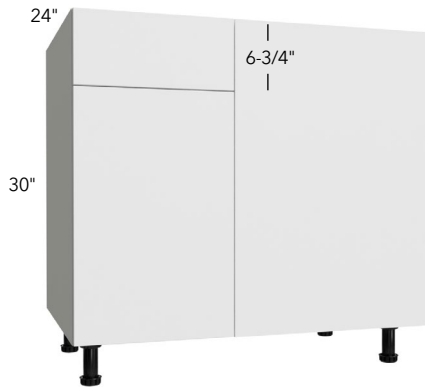
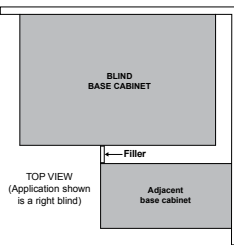
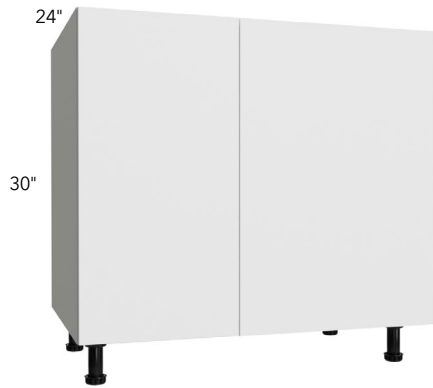
ITEM
DB12-3
DB15-3
DB18-3
DB21-3
DB24-3
DB27-3
DB30-3
DB33-3
DB36-3



4 DRAWER

ITEM
DB12-4
DB15-4
DB18-4
DB21-4

Blind Base Cabinets



BLIND FULL HEIGHT DOOR

ITEM

BLB36/39FD

BLB39/42FD

BLB42/45FD

BLB48/51FD

- Must use filler on adjacent wall (not supplied)
- Measurements are rounded off to closest 1/32"
- Includes two 18" deep adjustable shelves

Note: Need to indicate Blind Left or Blind Right at time of order

	Act.	Min.	Max.	Door	Closed Blind	Open (Door)
BLB36/39FD	30"	36"	39"	8-7/8"	21"	8-11/32"
BLB39/42FD	33"	39"	42"	11-7/8"	21"	11-11/32"
BLB42/45FD	36"	45"	45"	14-7/8"	21"	14-11/32"
BLB48/51FD	42"	48"	51"	20-7/8"	21"	20-11/32"

BLIND

ITEM

BLB36/39

BLB39/42

BLB42/45

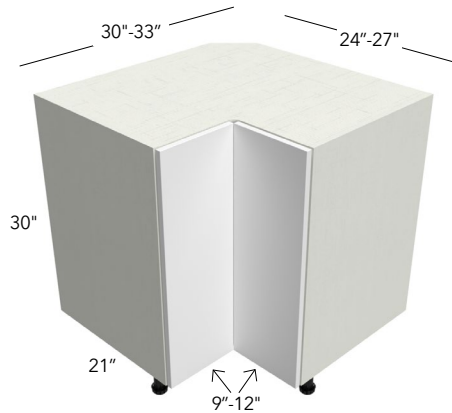
BLB48/51

- Includes one 18" deep adjustable shelf
- Must use filler on adjacent wall (not supplied)
- Measurements are rounded off to closest 1/32"

Note: Need to indicate Blind Left or Blind Right at time of order

	Act.	Min.	Max.	Door	Closed Blind	Open (Door)	Open (Drawer)
BLB36/39	30"	36"	39"	8-7/8"	21"	8-11/32"	7 5/8"
BLB39/42	33"	39"	42"	11-7/8"	21"	11-11/32"	10 5/8"
BLB42/45	36"	45"	45"	14-7/8"	21"	14-11/32"	13 5/8"
BLB48/51	42"	48"	51"	20-7/8"	21"	20-11/32"	19 5/8"

Corner Base Cabinets

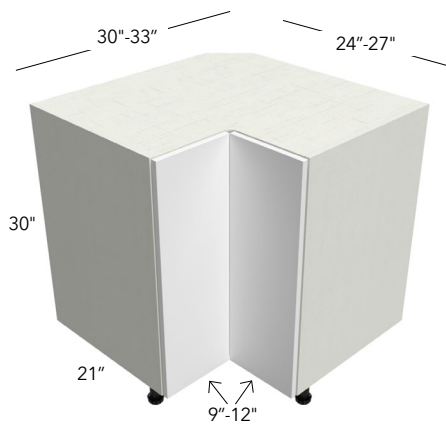


EASY REACH

ITEM
ERB33
ERB36

- Center shelf is adjustable
- Soft close hinge not available
- Easy-Reach & Lazy Susan bases are designed with a smaller cabinet foot-print for ease of installation & lighter weight. For example, LSB33 is 30" x 30" x 21" deep, whereas LSB36 is 33" x 33" x 21" deep.

Note: Need to indicate R or L at time of order



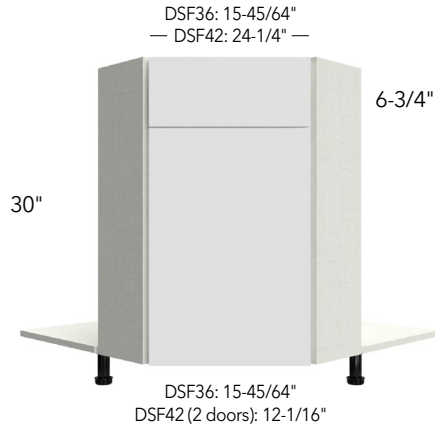
LAZY SUSAN

ITEM
LSB33
LSB36

- LSB33: Includes two 26" Pie-Cut Lazy Susan Trays
- LSB36: Includes two 28" Pie-Cut Lazy Susan Trays
- Both Lazy Susan trays rotate independently
- Center tray is mounted on a 3/4" adjustable shelf
- Soft close hinge not available
- Easy-Reach & Lazy Susan bases are designed with a smaller cabinet foot-print for ease of installation & lighter weight. For example, LSB33 is 30" x 30" x 21" deep, whereas LSB36 is 33" x 33" x 21" deep.

Note: Need to indicate R or L at time of order

Sink Base Cabinets

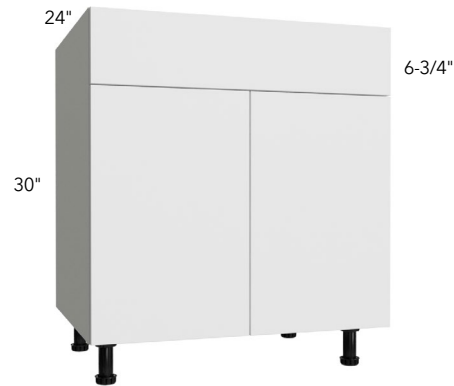


DIAGONAL SINK FRONT

ITEM
DSF36**
DSF42*
DSF36FD**
DSF42FD*

* Includes two doors

** **Note: Need to indicate R or L at time of order**



SINK BASE

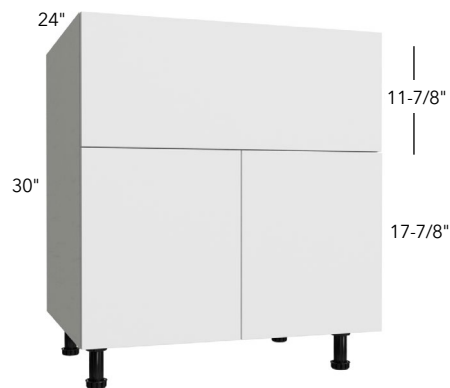
ITEM
* SB21
* SB24SD
SB24
SB27
SB30
SB33
SB36

* Single door cabinet. Need to indicate R or L at time of order

• Tilt Out available on pg. 33

• Note: Sink Base cabinets come pre-drilled with shelf clip holes.

Loose shelves available to purchase separately.



FARM SINK

ITEM
FS30
FS33
FS36

• Cut opening on job site

• Farm Sink Base comes with Apron Panel front

• Max opening:

FS30: 28-1/2"W x 11-5/8"H

FS33: 31-1/2" x 11-5/8"H

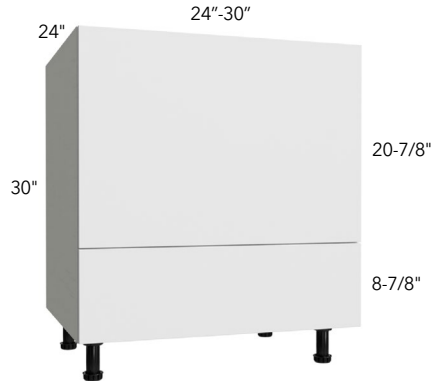
FS36: 34-1/2"W x 11-5/8"H

• Front panel attaches with clips for easy removal and install

• Additional Edge-Band available for purchase

Note: To avoid damage please apply extra care when cutting the front panel.

Specialty Base Cabinets



MICROWAVE

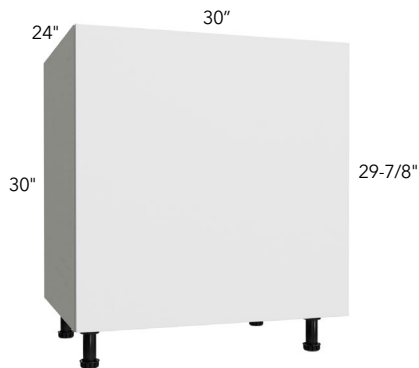
ITEM

BMC24

BMC30

- Front panel attaches with clips for easy removal and install
- Max opening:
BMC24 = 22-1/2"W x 19-3/4"H
BMC30 = 28-1/2"W x 19-3/4"H
- Additional Edge-Band available for purchase

Note: To avoid damage, please apply extra care when cutting the front panel.



OVEN

ITEM

BOC30

- Front panel attaches with clips for easy removal and install
- Max opening: 28-1/2"W x 28-1/2"H
- Additional Edge-Band available for purchase

Note: To avoid damage, please apply extra care when cutting the front panel.



RANGE TOP BASE

ITEM

RTB30

RTB36

RTB48

- Includes one adjustable shelf
- Range Top Bases come with full top panel



RANGE TOP DRAWER BASE

ITEM

RTDB30-2

RTDB36-2

RTDB48-2

- Range Top Bases come with full top panel

Base Cabinets with Installed Roll Out Drawers



B12-1ROD SHOWN

ROLL OUT DRAWER SINGLE DOOR

ITEM
B12-1ROD
B12-2ROD
B15-1ROD
B15-2ROD
B18-1ROD
B18-2ROD
B21-1ROD
B21-2ROD

- Accessory details on [pg.31](#)



B24-1ROD SHOWN

ROLL OUT DRAWER DOUBLE DOOR

ITEM
B24-1ROD
B24-2ROD
B27-1ROD
B27-2ROD
B30-1ROD
B30-2ROD
B33-1ROD
B33-2ROD
B36-1ROD
B36-2ROD

- Accessory details on [pg.31](#)

• Roll out drawers will be assembled and installed according to the quantity purchased. For custom height-placement, please email orders@fabuwood.com. A \$100 modification surcharge will apply to all custom requests.

Base Cabinets with Installed Roll Out Drawers



B12FD-1ROD SHOWN

ROLL OUT DRAWER FULL HEIGHT SINGLE DOOR

ITEM
B12FD-1ROD
B12FD-2ROD
B12FD-3ROD
B15FD-1ROD
B15FD-2ROD
B15FD-3ROD
B18FD-1ROD
B18FD-2ROD
B18FD-3ROD
B21FD-1ROD
B21FD-2ROD
B21FD-3ROD

- Accessory details on [pg. 31](#)



B24FD-1ROD SHOWN

ROLL OUT DRAWER FULL HEIGHT DOUBLE DOOR

ITEM
B24FD-1ROD
B24FD-2ROD
B24FD-3ROD
B27FD-1ROD
B27FD-2ROD
B27FD-3ROD
B30FD-1ROD
B30FD-2ROD
B30FD-3ROD
B33FD-1ROD
B33FD-2ROD
B33FD-3ROD
B36FD-1ROD
B36FD-2ROD
B36FD-3ROD

- Accessory details on [pg. 31](#)

• Roll out drawers will be assembled and installed according to the quantity purchased. For custom height-placement, please email orders@fabuwood.com. A \$100 modification surcharge will apply to all custom requests.

Base Cabinets with Installed Accessories



B15-TC SHOWN

TRASH CAN

ITEM

B15-TC

B18-TC

B21-TC

- Accessory details on [pg. 32](#)



B15FD-TC

TRASH CAN FULL HEIGHT

ITEM

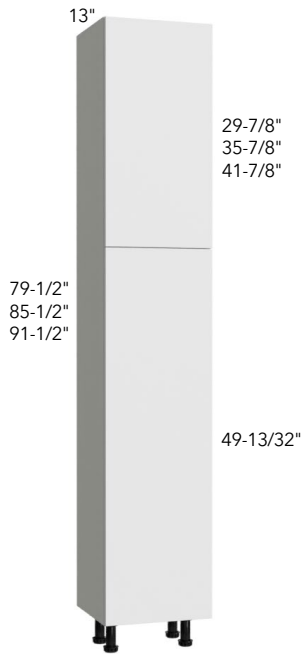
B15FD-TC

B18FD-TC

B21FD-TC

- Accessory details on [pg. 32](#)

13" Deep Tall Pantry Cabinets



SINGLE DOOR 13" DEEP

ITEM

TP151384

TP181384

TP241384SD

TP151390

TP181390

TP241390SD

TP151396

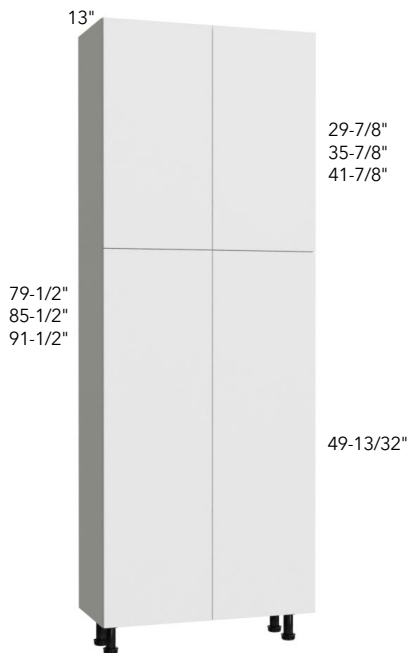
TP181396

TP241396SD

- Includes 12" deep shelves
- 84" & 90" high - 5 shelves
- 96" high - 6 shelves
- Roll Out Drawer available on pg. 31

Note: Need to indicate R or L at time of order

Shipping Note: Pantry shelves ship loose and will appear as individual line items on order packing list. Additional charges or pallet requirements may result depending on shipping method.



DOUBLE DOOR 13" DEEP

ITEM

TP241384

TP241390

TP241396

TP301384

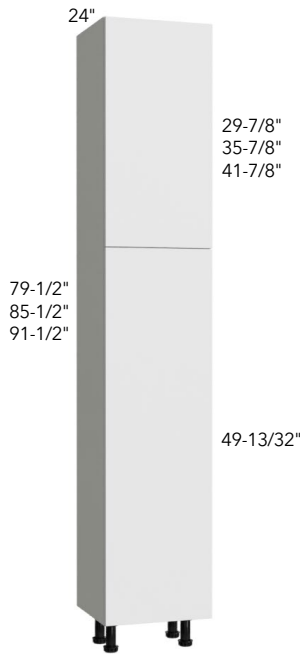
TP301390

TP301396

- Includes 12" deep shelves
- 84" & 90" high - 5 shelves
- 96" high - 6 shelves
- Roll Out Drawer available on pg. 31

Shipping Note: Pantry shelves ship loose and will appear as individual line items on order packing list. Additional charges or pallet requirements may result depending on shipping method.

24" Deep Tall Pantry Cabinets



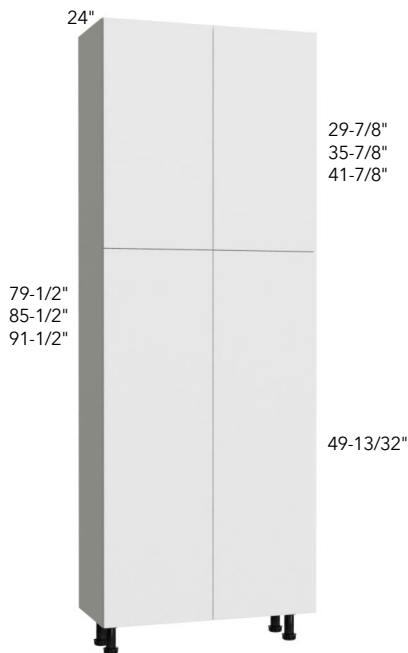
SINGLE DOOR

ITEM
TP152484
TP182484
TP242484SD
TP152490
TP182490
TP242490SD
TP152496
TP182496
TP242496SD

- Includes 21" deep adjustable shelves
- 84" & 90" high - 5 shelves
- 96" high - 6 shelves
- Roll Out Drawer available on pg. 31

Note: Need to indicate R or L at time of order

Shipping Note: Pantry shelves ship loose and will appear as individual line items on order packing list. Additional charges or pallet requirements may result depending on shipping method.



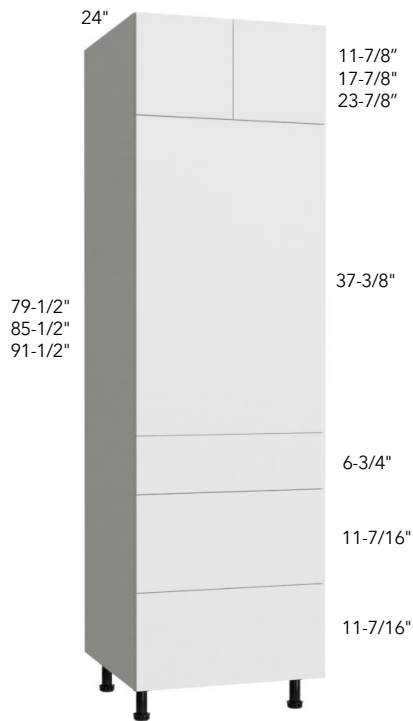
DOUBLE DOOR

ITEM
TP242484
TP242490
TP242496
TP302484
TP302490
TP302496

- Include 21" deep adjustable shelves
- 84" & 90" high - 5 shelves
- 96" high - 6 shelves
- Roll Out Drawer available on pg. 31

Shipping Note: Pantry shelves ship loose and will appear as individual line items on order packing list. Additional charges or pallet requirements may result depending on shipping method.

Oven Cabinets



SINGLE OVEN CABINET W/ 3 DRAWERS ON THE BOTTOM

ITEM
OC2484S-3
OC3084S-3
OC2490S-3
OC3090S-3
* OC2496S-3
* OC3096S-3

* Includes one shelf in upper wall section.

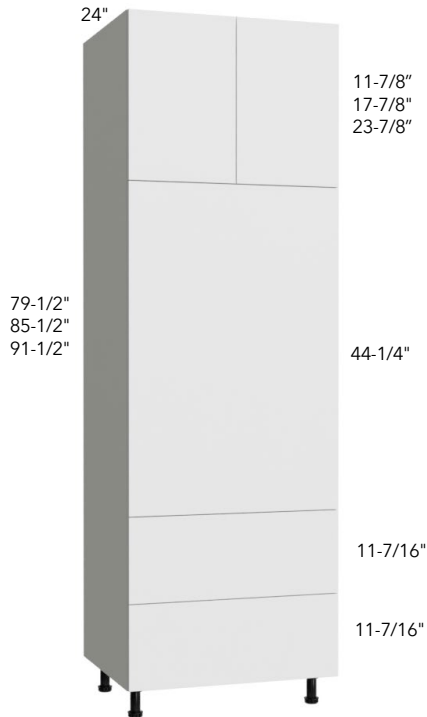
When using two appliances:

It is recommended to provide support for top appliance; PLY-3/4 available to be purchased separately. Fixed shelf to be installed on the jobsite by a qualified installer.

Full panel face frame to be trimmed on site (not by Fabuwood).
Additional Edge-Band available for purchase.

Note: To avoid damage to the frame & side panels, please apply extra care when cutting the front panel.

Oven Cabinets



COMBO OVEN CABINET W/ 2 DRAWERS ON BOTTOM

ITEM
OC2484C
OC3084C
OC2490C
OC3090C
* OC2496C
* OC3096C

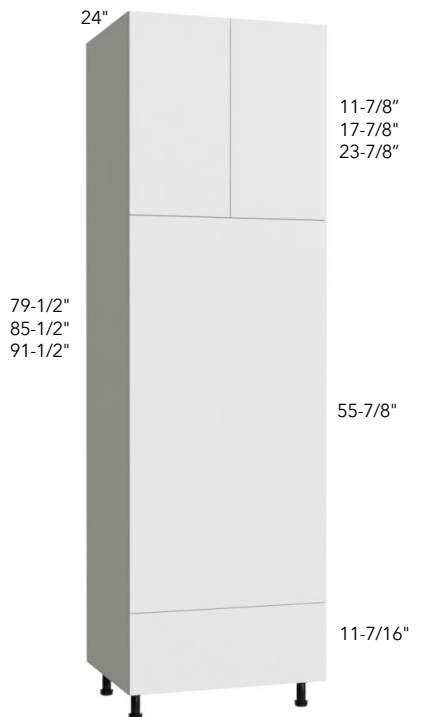
* Includes one shelf in upper wall section.

When using two appliances:

It is recommended to provide support for top appliance; PLY-3/4 available to be purchased separately. Fixed shelf to be installed on the jobsite by a qualified installer.

Full panel face frame to be trimmed on site (not by Fabuwood).
Additional Edge-Band available for purchase.

Note: To avoid damage to the frame & side panels, please apply extra care when cutting the front panel.



DOUBLE OVEN CABINET W/ 1 DRAWER ON BOTTOM

ITEM
OC2484D
OC3084D
OC2490D
OC3090D
* OC2496D
* OC3096D

* Includes one shelf in upper wall section.

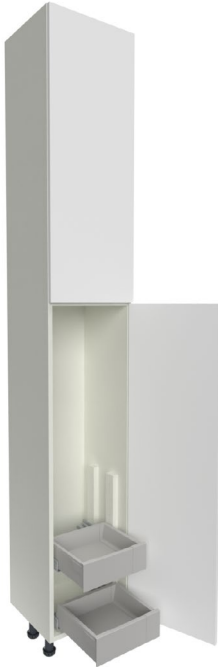
When using two appliances:

It is recommended to provide support for top appliance; PLY-3/4 available to be purchased separately. Fixed shelf to be installed on the jobsite by a qualified installer.

Full panel face frame to be trimmed on site (not by Fabuwood).
Additional Edge-Band available for purchase.

Note: To avoid damage to the frame & side panels, please apply extra care when cutting the front panel.

13" Deep Tall Pantry with Installed Roll Out Drawers



TP151390-2ROD SHOWN

SINGLE DOOR

ITEM
TP151384-2ROD
TP151384-3ROD
TP151384-4ROD
TP151390-2ROD
TP151390-3ROD
TP151390-4ROD
TP151396-2ROD
TP151396-3ROD
TP151396-4ROD
TP181384-2ROD
TP181384-3ROD
TP181384-4ROD
TP181390-2ROD
TP181390-3ROD
TP181390-4ROD
TP181396-2ROD
TP181396-3ROD
TP181396-4ROD

DOUBLE DOOR

ITEM
TP241384-2ROD
TP241384-3ROD
TP241384-4ROD
TP241390-2ROD
TP241390-3ROD
TP241390-4ROD
TP241396-2ROD
TP241396-3ROD
TP241396-4ROD
TP301384-2ROD
TP301384-3ROD
TP301384-4ROD
TP301390-2ROD
TP301390-3ROD
TP301390-4ROD
TP301396-2ROD
TP301396-3ROD
TP301396-4ROD



TP241390-2ROD SHOWN

- Roll out drawers will be assembled and installed according to the quantity purchased. For custom height-placement, please email orders@fabuwood.com. A \$100 modification surcharge will apply to all custom requests.

24" Deep Tall Pantry with Installed Roll Out Drawers



TP152490-2ROD SHOWN

SINGLE DOOR

ITEM
TP152484-2ROD
TP152484-3ROD
TP152484-4ROD
TP152490-2ROD
TP152490-3ROD
TP152490-4ROD
TP152496-2ROD
TP152496-3ROD
TP152496-4ROD
TP182484-2ROD
TP182484-3ROD
TP182484-4ROD
TP182490-2ROD
TP182490-3ROD
TP182490-4ROD
TP182496-2ROD
TP182496-3ROD
TP182496-4ROD

DOUBLE DOOR

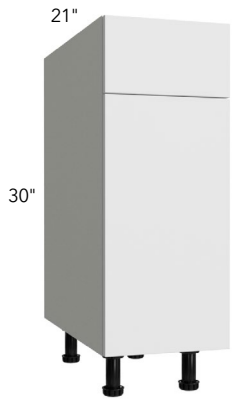
ITEM
TP242484-2ROD
TP242484-3ROD
TP242484-4ROD
TP242490-2ROD
TP242490-3ROD
TP242490-4ROD
TP242496-2ROD
TP242496-3ROD
TP242496-4ROD
TP302484-2ROD
TP302484-3ROD
TP302484-4ROD
TP302490-2ROD
TP302490-3ROD
TP302490-4ROD
TP302496-2ROD
TP302496-3ROD
TP302496-4ROD



TP242490-2ROD SHOWN

- Roll out drawers will be assembled and installed according to the quantity purchased. For custom height-placement, please email orders@fabuwood.com. A \$100 modification surcharge will apply to all custom requests.

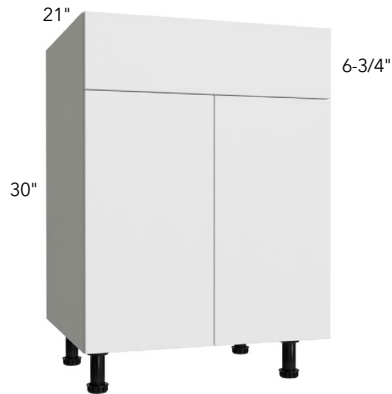
Vanities



SINGLE DOOR VANITY BASE

ITEM
VB12
VB15
VB18

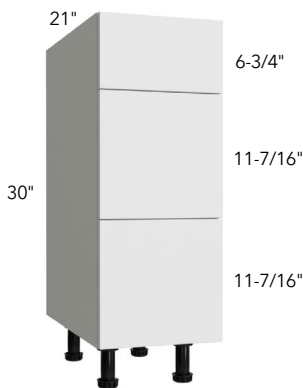
- Includes one 18" deep adjustable shelf
- Note: Need to indicate R or L at time of order*



VANITY BASE

ITEM
VB24
VB27
VB30
VB33
VB36

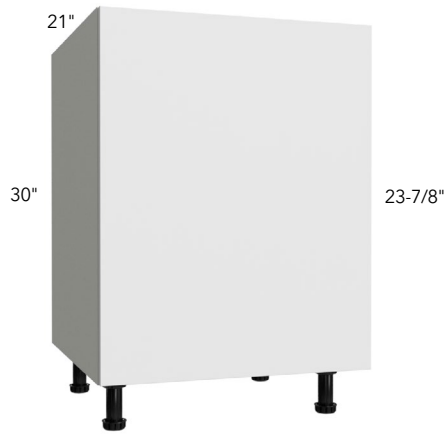
- Includes one 18" deep adjustable shelf



VANITY DRAWER BASE (3 DRAWERS)

ITEM
VDB12
VDB15
VDB18

Vanities

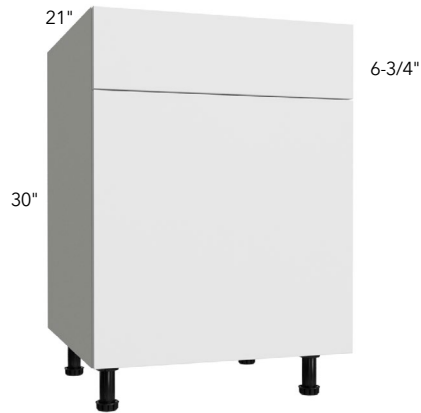


VANITY SINK BASE (FULL HEIGHT SINGLE DOOR)

ITEM
VSB24SFD

- Includes two adjustable shelves

Note: Sink Base cabinets come pre-drilled with shelf clip holes. Loose shelves available to purchase separately.

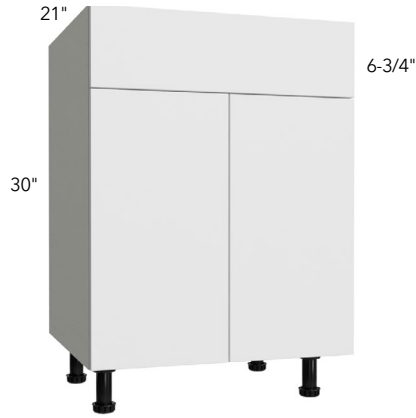


VANITY SINK BASE (SINGLE DOOR WITH DRAWER)

ITEM
VSB24SD

Note: Sink Base cabinets come pre-drilled with shelf clip holes. Loose shelves available to purchase separately.

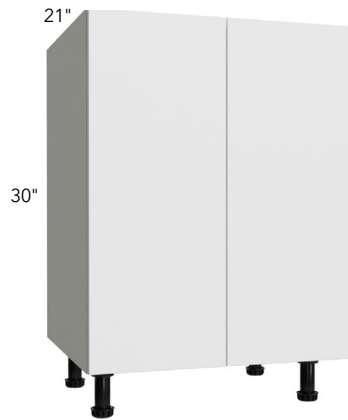
Vanities



VANITY SINK BASE (SAME LOOK AS 2 DOOR/DRAWER BASE)

ITEM
VSB24
VSB27
VSB30
VSB33
VSB36

Note: Sink Base cabinets come pre-drilled with shelf clip holes. Loose shelves available to purchase separately.



VANITY SINK BASE (FULL HEIGHT 2 DOORS)

ITEM
VSB24FD
VSB27FD
VSB30FD
VSB33FD
VSB36FD

- Includes two adjustable shelves

Note: Sink Base cabinets come pre-drilled with shelf clip holes. Loose shelves available to purchase separately.

Base Accessories



ROLL OUT

ITEM
ROD-B15 ILLUME
ROD-B18 ILLUME
ROD-B21 ILLUME
ROD-B24 ILLUME
ROD-B27 ILLUME
ROD-B30 ILLUME
ROD-B33 ILLUME
ROD-B36 ILLUME

- *BLUM Tandembox Roll-Outs feature Two-dimensional drawer front adjustment & a static load capacity of 75 lb.*
- *Illume Roll-Outs are Blum Tandembox Metal Roll-Outs with Full-Extension Soft-Close Slides*
- *Pricing is per Roll-Out Drawer & includes installation when ordered as an accessory on a cabinet. Cabinet is not included.*
- *Can also be used with Pantries. EX: ROD-B24 ILLUME will work in a 24"W Pantry.*
- *Roll-Out Drawers are also available for 13"D Tall Pantries, 15"D Wall Drawers, and 21"D Vanity Cabinets. Note: ROD's added to a cabinet less than 24"D or in combination with a CUT- depth modification will incur a CUT-ROD surcharge.*
- *Increased depth of Rollout drawers are by custom request only. Custom quote required.*



BPOBLB42/45-L ILLUME

BLIND BASE PULL OUT

ITEM
BPOBLB42/45-R ILLUME
BPOBLB42/45-L ILLUME
BPOBLB48/51-R ILLUME
BPOBLB48/51-L ILLUME

- *Includes two trays per accessory*
- *Available for Drawer and Door and Full Height Door cabinets*
- *Load Capacity: 55lb (25kg) per tray*
- *Gray/Chrome Finish*



SPOB09 ILLUME

SPICE PULL OUT

ITEM
SPOB09 ILLUME
SPOB12 ILLUME
SPOB15 ILLUME
SPOB18 ILLUME

- *Includes two baskets per accessory*
- *Load Capacity: 60 lb (27kg)*
- *Gray/Chrome Finish*

Waste Solutions

TC15

TC18 & TC21

TC15FHD

TC18FHD & TC21FHD


TRASH CAN

ITEM

TC15 ILLUME

TC18 ILLUME

TC21 ILLUME

- Cabinet not included, cabinet must be ordered separately
- TC15 = one 35qt can + 1 bag bin
TC18 & TC21 = two 35qt cans
- Tandembox heavy-duty full extension runners
- White Tandembox Drawer
- 175lb static, 150lb dynamic load rating

TRASH CAN FULL-HEIGHT DOOR

ITEM

TC15FHD ILLUME

TC18FHD ILLUME

TC21FHD ILLUME

- Cabinet not included, cabinet must be ordered separately
- TC15FHD = one 50qt can + 1 bag bin
TC18FHD & TC21FHD = two 50qt cans
- Tandembox heavy-duty full extension runners
- White Tandembox Drawer
- 175lb static, 150lb dynamic load rating

Sink Accessories



TILT OUT

ITEM

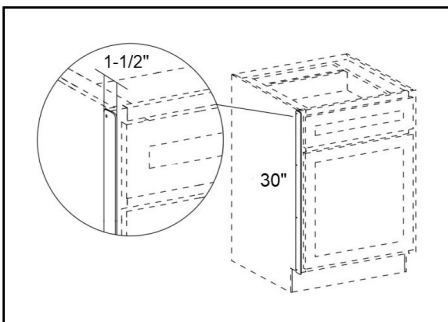
TILTOUT 11"

TILTOUT 14"

TILTOUT 24"

- TILTOUT 11 - available for SB27*, VSB27*
- TILTOUT 14 - available for SB21, SB24, SB24SD, SB33*, SB36*, VSB24, VSB24SD, VSB33*, VSB36*
- TILTOUT 24 - SB30, VSB30

* 2 trays



ILLUME HEAT SHIELD

ITEM

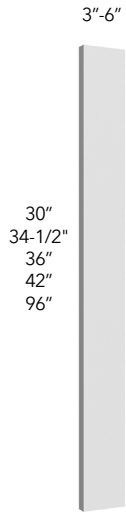
HEAT SHIELD WHITE

- 1/16" thick powder-coated steel with pre-drilled installation holes.
- Required in order to shield the Illume Laminate Cabinet Box from adjacent oven heat.
- Sold individually; must order quantity of 2.

NOTE: This item is required when installing cabinets on either side of a heating appliance (for example a Range). Fabuwood does not take responsibility for failure to order this item and will not warranty Illume Cabinetry that has not been installed with the heat shield adjacent to a heating appliance.

Any accessories can be ordered and installed through Fabuwood

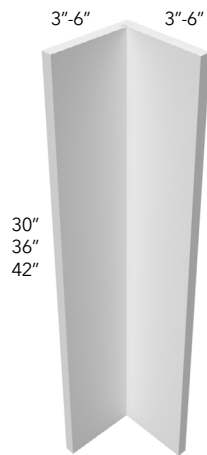
Fillers



WALL, TALL & BASE

ITEM
WF330
WF336
WF342
WF630
WF636
WF642
TF396
TF696
BF3*
BF6*

- * Base fillers are a flat panel and do not come with toe-kick recessed
BF3, BF6: 34-1/2" high
- Fillers are finished on two sides and edge-banded on all four edges
- Additional Edge-Band available for purchase

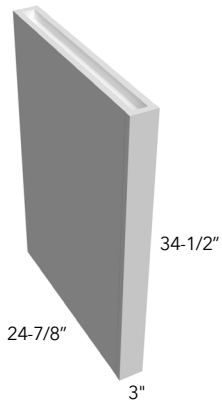


CORNER FILLER

ITEM
CF330
CF336
CF342
CF630
CF636
CF642

- Additional Edge-Band available for purchase

Columns

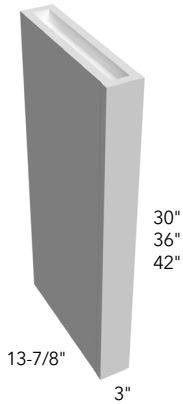


BASE COLUMN

ITEM

CLM-BASE

- Sides are flush finished
- Back is unfinished



WALL COLUMNS

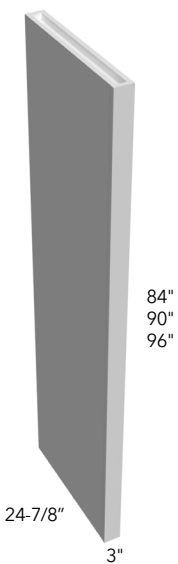
ITEM

CLM-30

CLM-36

CLM-42

- Sides are flush finished
- Back is unfinished



TALL COLUMN

ITEM

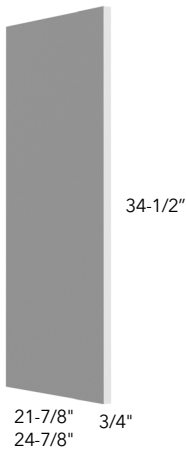
CLM-84

CLM-90

CLM-96

- Sides are flush finished
- Back is unfinished

End Panels



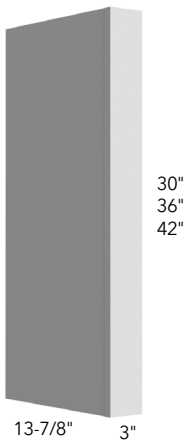
BASE END PANEL

ITEM

BEP

VBEP

- * Finished on two sides and edge-banded on all four edges
- Additional Edge-Band available for purchase
- BEP: 24-7/8"W x 34-1/2"H
- VBEP: 21-7/8"W x 34-1/2"H



WALL END PANEL

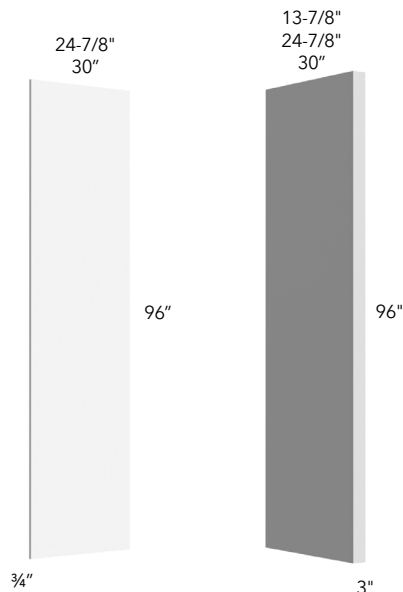
ITEM

WEP1430 x 3

WEP1436 x 3

WEP1442 x 3

- * Finished on two sides and edge-banded on all four edges
- End panels with filler have flush finished sides and edge-banding on all four edges
- Additional Edge-Band available for purchase



REFRIGERATOR END PANEL

ITEM

REP2596*

REP3096*

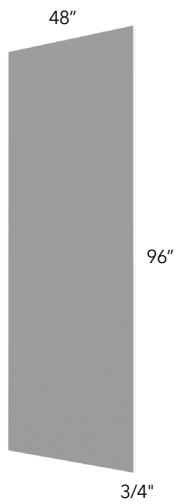
REP1496 x 3

REP2596 x 3

REP3096 x 3

- * Finished on two sides and edge-banded on all four edges
- Edge-banded all around
- End panels with filler have flush finished sides and edge-banding on all four edges
- Additional Edge-Band available for purchase

Panels

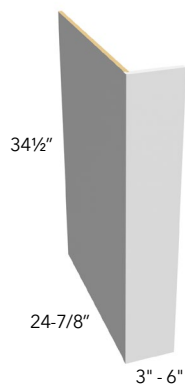


MDF

ITEM

PAN-3/4

- One side of panel has the finished side matching the face of the door.
- No edge-band



DISHWASHER RETURN END PANEL

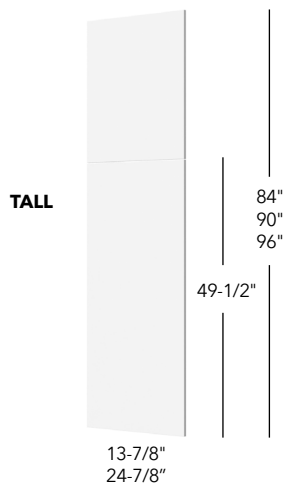
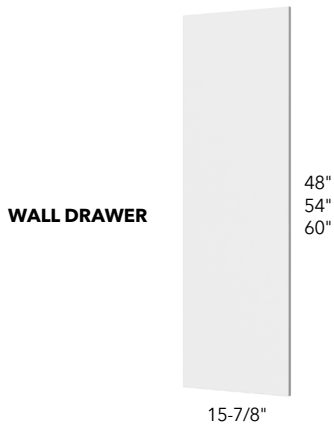
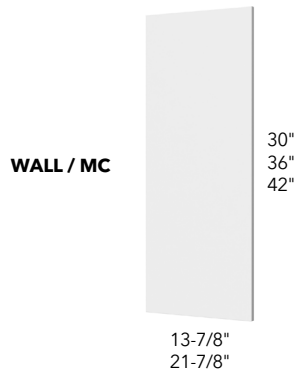
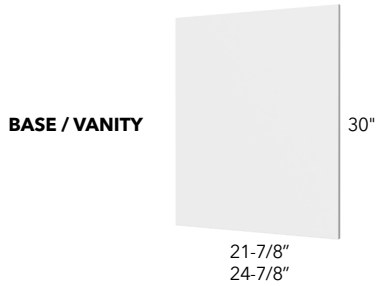
ITEM

DWR3

DWR6

- Dishwasher End Panels with filler have flush finished sides and edge-banding on all four edges
- Additional Edge-Band available for purchase

Wainscot Panels



WAINSCOT PANEL

ITEM
WP-BASE
WP-VBASE
WP-W12
WP-W15
WP-W18
WP-W24
WP-W30
WP-W36
WP-W42
WP-MC30
WP-MC36
WP-MC42
WP-WD48
WP-WD54
WP-WD60
WP-W1224D
WP-W1524D
WP-W1824D
WP-W2424D
WP-TP84
WP-TP90
WP-TP96
WP-TP8413D
WP-TP9013D
WP-TP9613D

• **Dimensions:**

- Base: 24-7/8"W x 30"H
- Vanity Base (21"D): 21-7/8"W x 30"H
- Wall (13"D): 13-7/8"W x 30"H / 36"H / 42"H
- Wall (24"D): 24-7/8"W x 12"H / 15"H / 18"H / 24"H
- Wall Microwave (21"D): 21-7/8"W x 30"H / 36"H / 42"H
- Wall Drawer (15"D): 15-7/8"W x 48"H / 54"H / 60"H
- Tall (13"D): 13-7/8"W x 84"H / 90"H / 96"H
- Note: Bottom door is 49-1/2"H
- Tall (24"D): 24-7/8"W x 84"H / 90"H / 96"H
- Note: Bottom door is 49-1/2"H

Moldings (8')



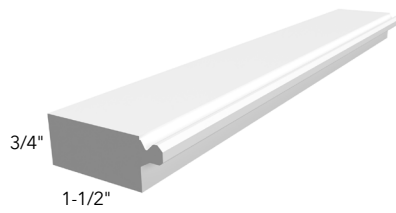
TOE KICK

ITEM

TK8

BBM

- Edge-banded all 4 edges
- Additional Edge-Band available for purchase



STARTER

ITEM

STRM-8

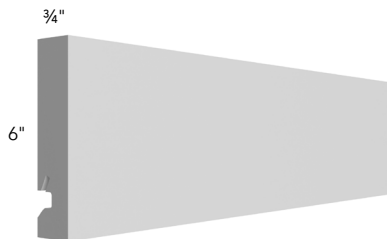


LIGHT RAIL

ITEM

LRM

- Use with STRM-8 to install LRM to be flushed with front of door



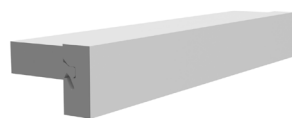
STRAIGHT VALANCE

ITEM

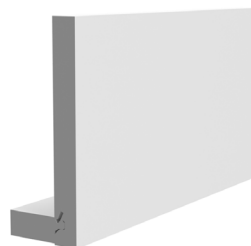
VST-6

- Use STRM-8 for Soffit build-up

EXAMPLES OF STRM-8 APPLICATION:



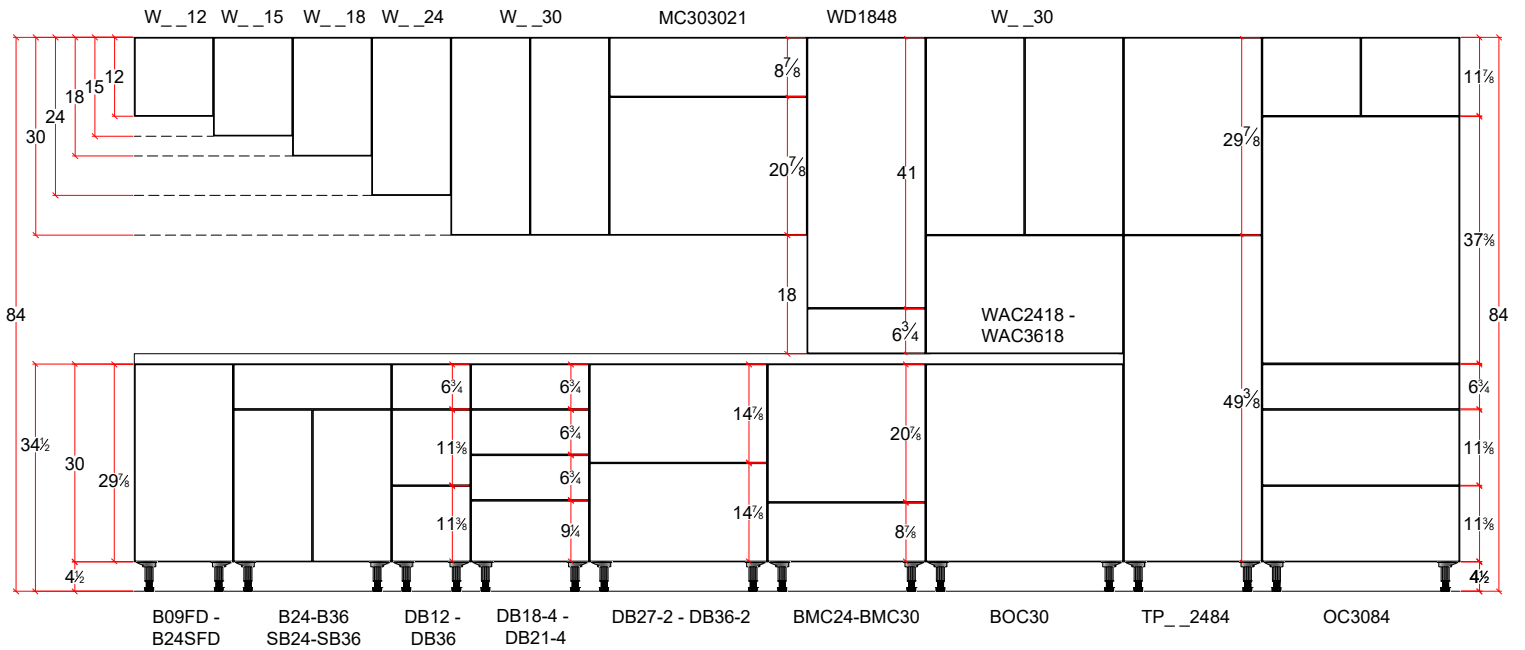
LRM + STRM-8



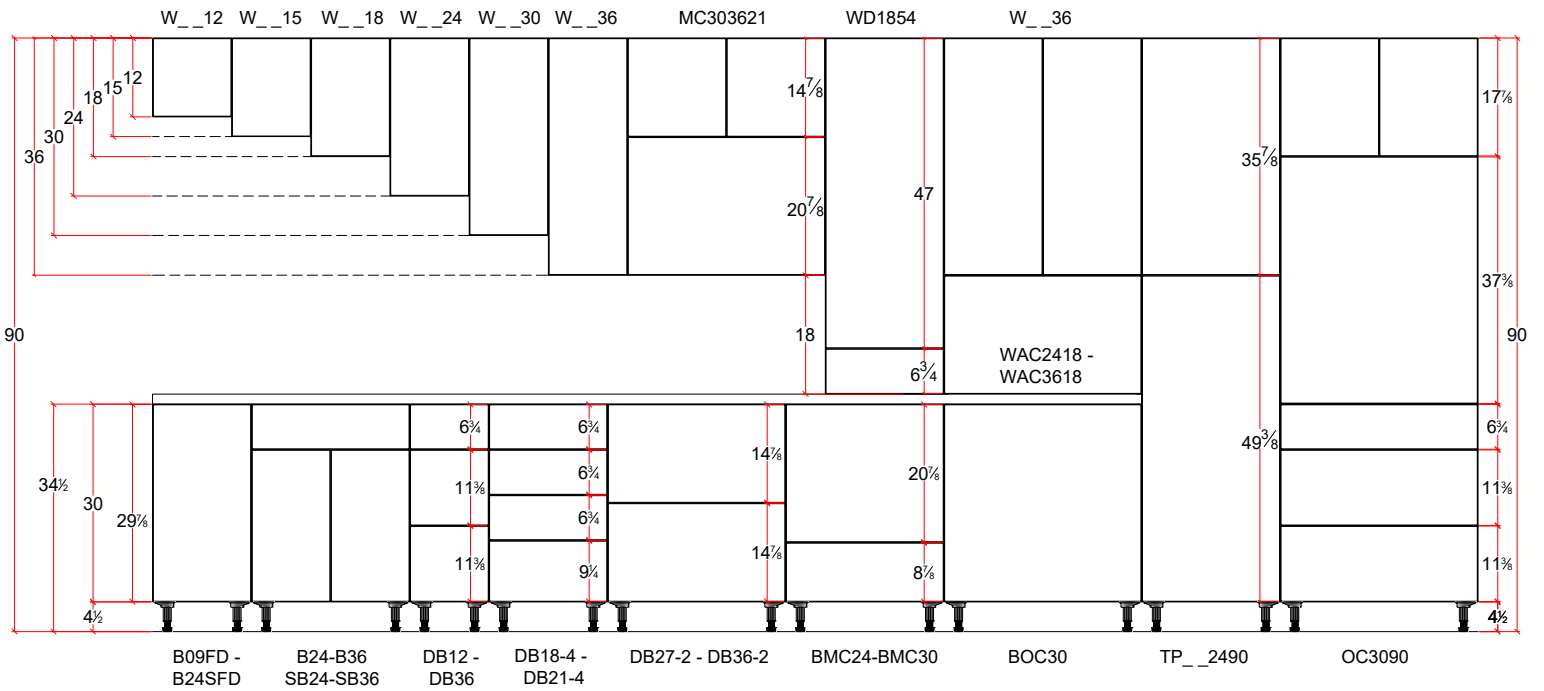
VST-6 + STRM-8

Height Alignment Guide

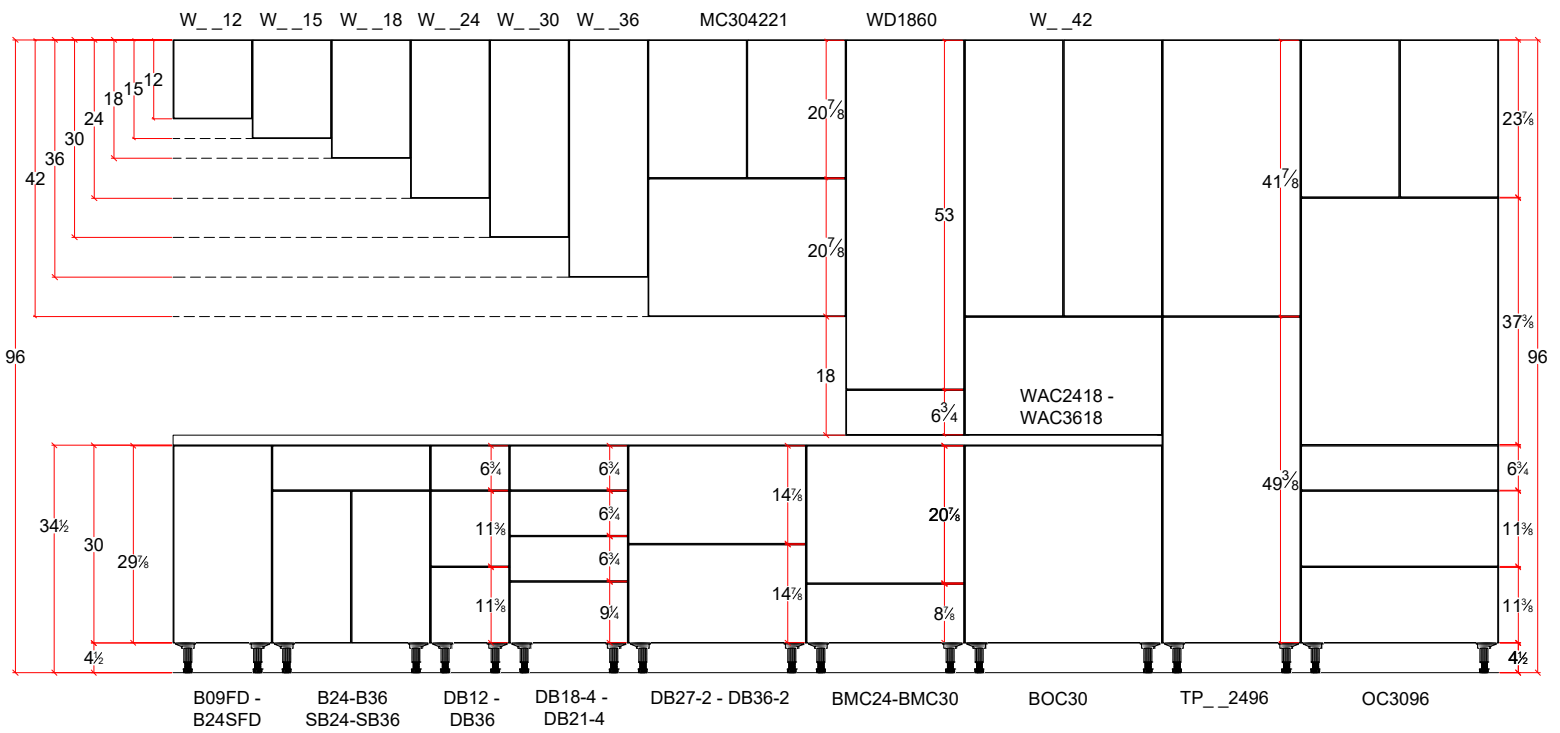
84" Height Alignment



90" Height Alignment



96" Height Alignment



Copyright © 2024 by Fabuwood Cabinetry Corp.

All rights reserved.

No part of this publication may be reproduced, distributed, or transmitted in any form or by any means, including photocopying, scanning, or other electronic or mechanical methods, including online sharing, without the prior written permission of Fabuwood Cabinetry Corp.

