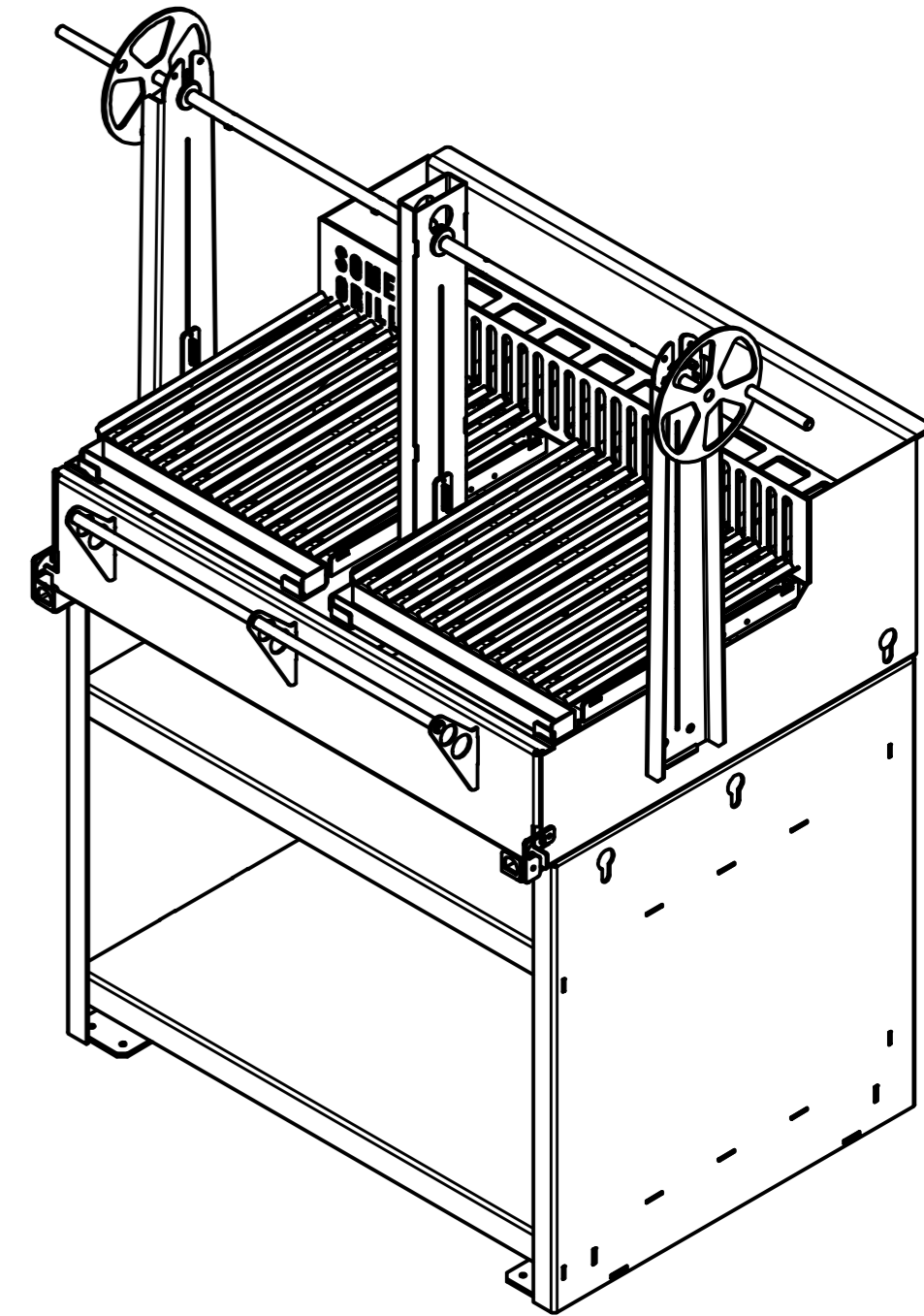
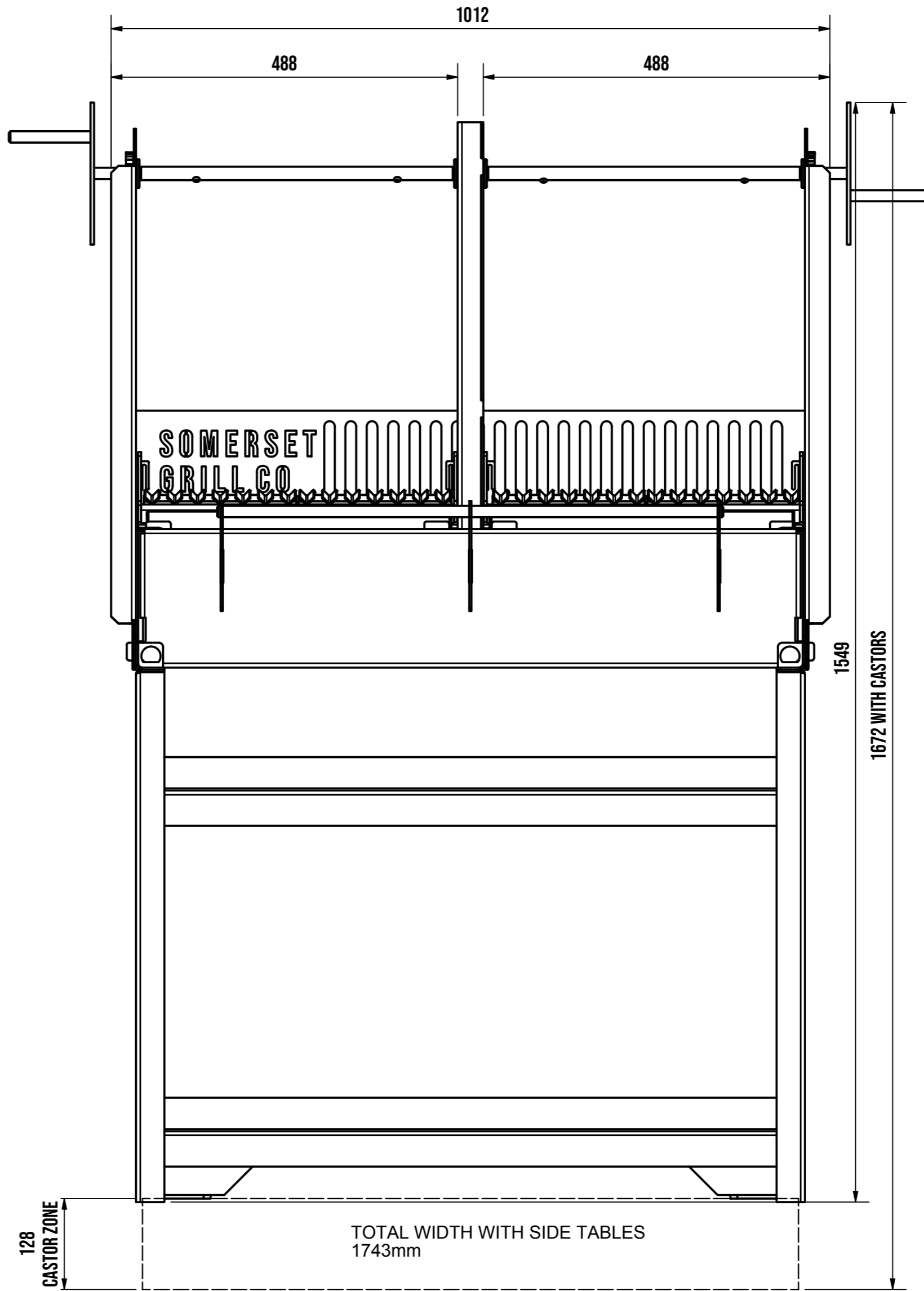
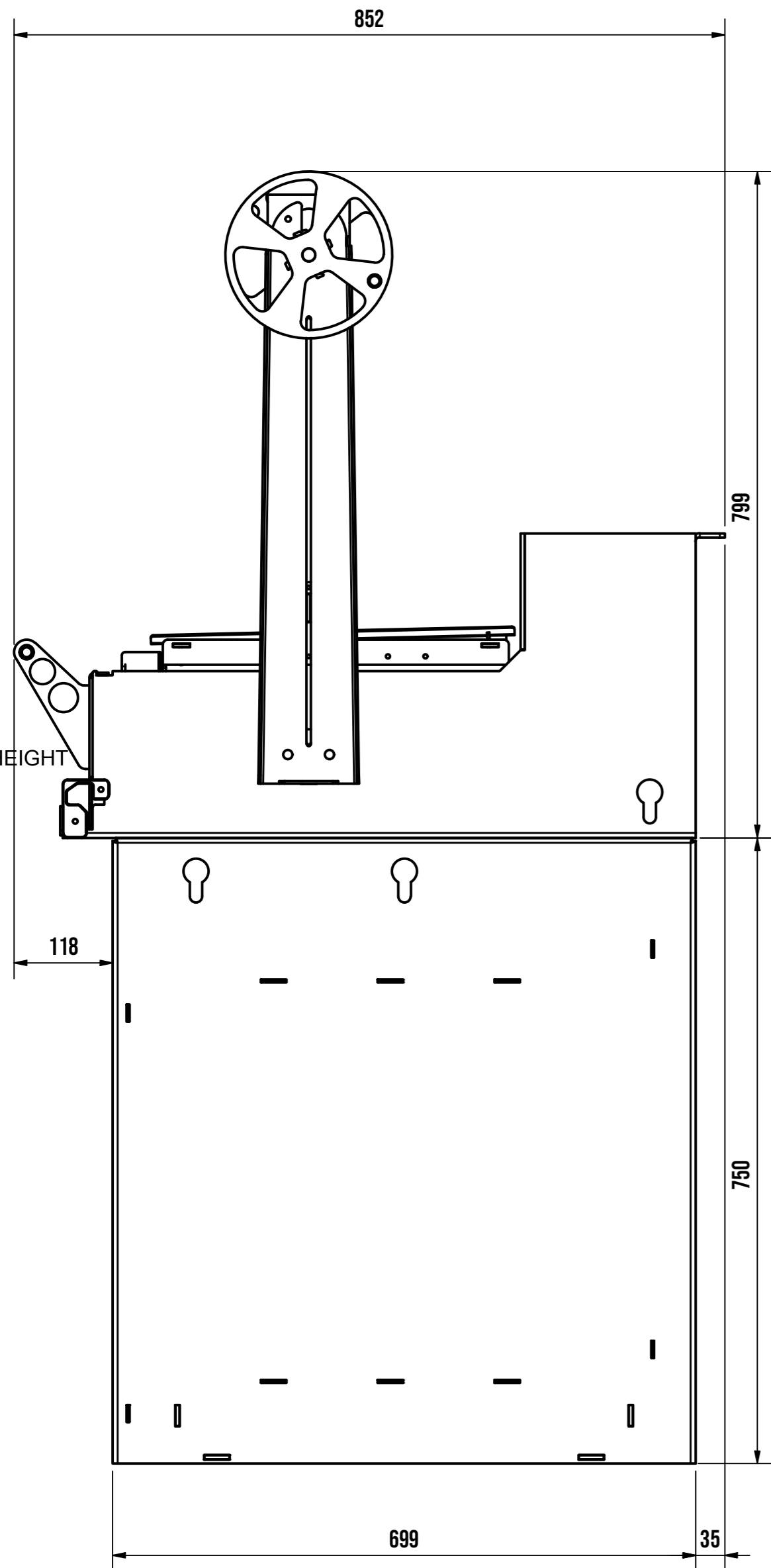


NOT TO BE SCALED IF IN DOUBT ASK

REVISION HISTORY			
REV	STATUS	DRAWN BY	DATE
1	FIRST ISSUE	TN	02/03/2023



SOMERSET GRILL CO

E-MAIL: info@somersetgrill.com TEL: +44(0)7376362283

TITLE
GLASTONBURY GRANDE
WOODSTORE ENVELOPE

DRAWING No. **SGC-A-E005** PAGE SIZE **A2**

CLIENT: THE SOMERSET GRILL COMPANY
PROJECT: GLASTONBURY GRILL

NOTE: THIS DRAWING IS PROPERTY OF DWD AND IS ON LOAN SUBJECT TO THE CONDITION THAT IT WILL NOT BE COPIED, LOANED OR SUBMITTED TO THIRD PARTY WITHOUT PRIOR WRITTEN CONSENT.

ALL WEIGHTS SHOWN ON THIS DRAWING ARE FOR REFERENCE ONLY AND DO NOT FORM THE BASIS OF A CONTRACT BETWEEN DWD AND THE SUB-CONTRACTOR.

SCALE (1:10)	REV No. 1
DRAWN BY TN	DATE 15-Mar-23
CHECKED BY	DATE
APPROVED BY	DATE



FIRST ANGLE PROJECTION
SHEET 1 OF 1