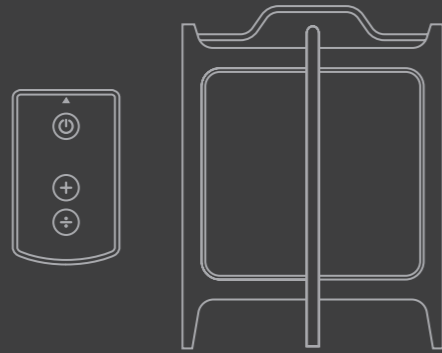


AMBIENT LANTERN

USER MANUAL



 GLOSTER

GENERAL SAFETY GUIDELINES

Read this guide carefully before using the product.
Keep this guide for future reference, do not throw away.
Only use the product in accordance with these instructions. Failure to follow the instructions contained within the user guide can result in damage to the product, and the warranty will become void.
Any responsibility is disclaimed due to incorrect use of the product.

- Do not use any adapter for charging other than the adapter supplied with the product, as this could be dangerous.
- Do not use the adapter supplied to charge any product other than the product supplied, as this could also be dangerous.
- Do not use near sources of direct heat, or expose the product to fire.
- Do not use the light unit outdoor without the charger socket cap fastened in position.
- This product is not intended for use by children.
- Do not try to open the charger adapter. A faulty charger should be returned to the dealer.
- Always disconnect the charger after use.

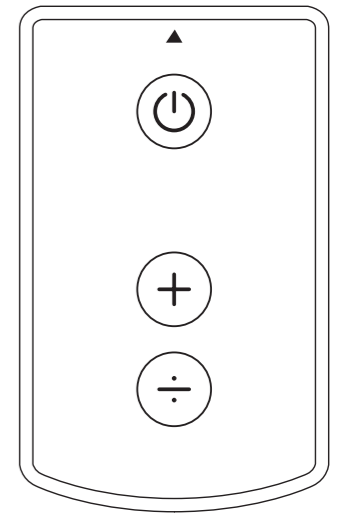
SPECIFICATION

Item Name: Ambient Lantern
Voltage: 5V DC
Power: Max 20W
Manufacturer: PT Gloster Furniture Ltd
Model Number: 769



REMOTE CONTROLLER

- To activate, pull the power separation film from the battery compartment
- Ensure that the lamp is fully charged before using
- To turn the lamp on, press the power button
- To increase the intensity of the light, press the + button
- To decrease the intensity of the light, press the - button
- NOTE: Lithium battery CR2025 x 1pc (3V).
Small parts should be kept away from children
- The remote control unit is not waterproof



ADAPTER AND LED LIGHT UNIT

Adapter Input: 100V-240V DC – 50Hz-60Hz
Adapter Output: 4.2V-5V – 0.5A-1.2A
LED Light Unit Battery Type: Li-ion 3.7V-4V, 1100mAh -3600mAh
LED Light Unit Battery is non-replaceable. The complete LED unit must be replaced.
Full recharge: 5-6 hrs
Working time on single charge: 8-10 hrs
LED Lifespan: ≥50,000hrs (2.8W≤Watt≤28.8W)
Working Temperature Range: +60 °C / -20 °C

DISTRIBUTED IN THE USA BY:

Gloster Furniture
1075 Fulp Industrial Road
PO Box 738
South Boston
VA 24592
USA

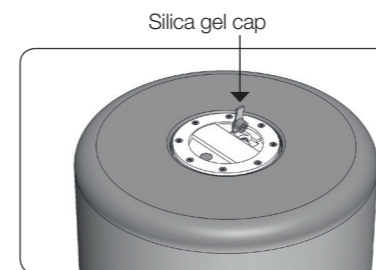
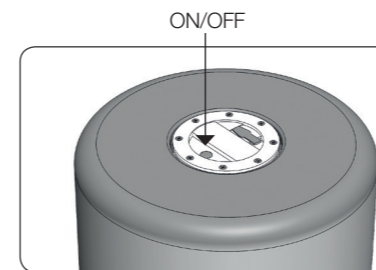
DISTRIBUTED IN EUROPE AND ROW BY:

Gloster Furniture Limited
Collins Drive
Severn Beach
Bristol BS35 4GG
United Kingdom

INITIAL CHARGING

NB: Charger is for INDOOR USE ONLY. Charging must ALWAYS be carried out INDOORS. NEVER CONNECT THE CHARGER TO THE LIGHT UNIT OUTDOORS.

- Make sure that the light is switched off.
If the light is on, the battery will not charge.
- Pull out the plastic cap from the LED unit housing.
- Plug the adapter in to a mains power outlet.
- Plug the DC connector in to the DC socket in the LED unit.
- When the unit is charging, the light on the front face of the adapter will appear red.
- If the light on the front face of the adapter appears green, then the unit is fully charged.
- To extend the life of the battery, charge the LED unit for at least 10 hours for initial charging.
- Remove the DC connector from the LED unit and replace the plastic cap.
- Make sure that the plastic cap is securely fastened to prevent water from entering the LED unit.
If the plastic cap is not replaced, water can enter into the LED unit and cause damage that will affect the function of the light.



OPERATION

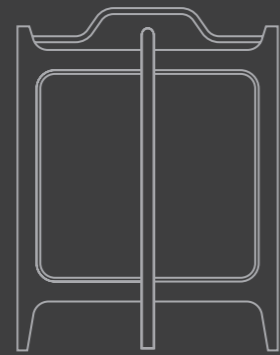
To switch the light on, either push the on/off button on the remote control, or the red on/off button on the underside of the light unit.
The light unit will always switch on at the maximum light intensity.
To adjust the light intensity, push the +/- button until the desired light level is reached.
To switch the light off, either push the on/off button on the remote control, or the red on/off button on the underside of the light unit.

WARRANTY STATEMENT

This product is guaranteed for a period of 2 years against issues arising due to defective design, workmanship or materials.
This warranty does not cover damages, losses, defects or malfunctions arising from misuse, improper installation, or any manner of tampering with the product, including: using the incorrect electric supply or voltage; usage other than in accordance with the instruction manual; normal wear and tear.
No repair shall be undertaken as a result of any of the causes mentioned in the above statement.
This warranty is void if at any time part or parts of the product are removed, altered, tampered with, adjusted, modified, dismantled, repaired or handled in anyway by any person not authorized to do so.
If the adapter cord of this product becomes damaged, it shall be exclusively replaced by the supplier, his service agent or a similar qualified person in order to avoid potential hazard.

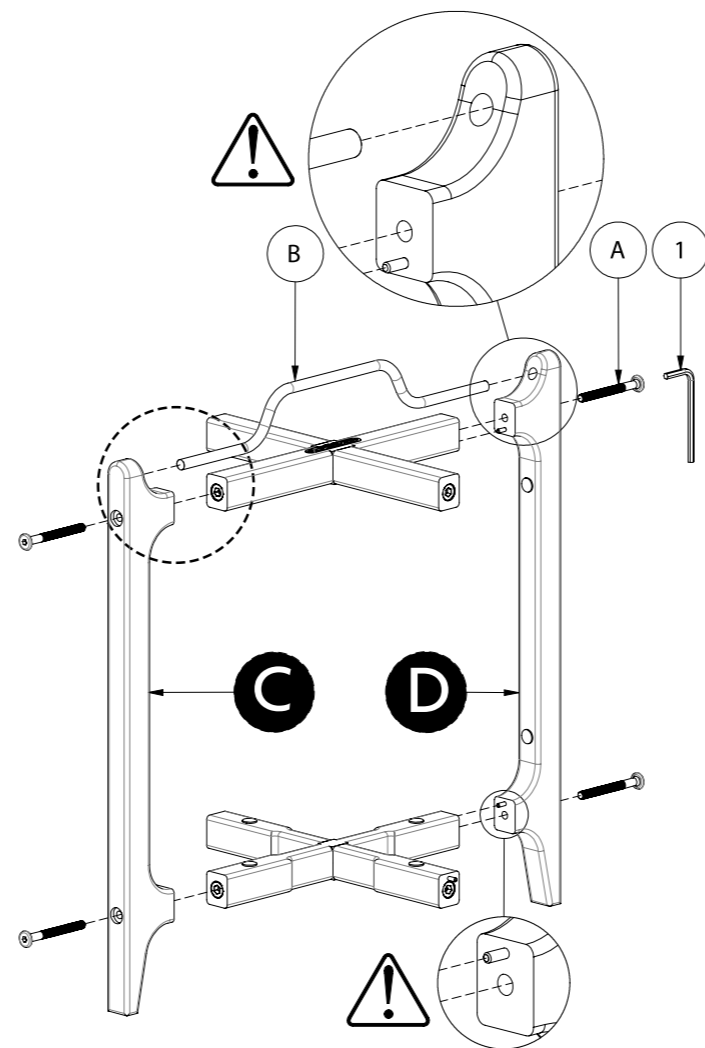
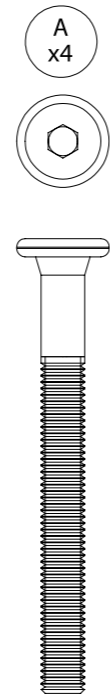
AMBIENT LANTERN

ASSEMBLY GUIDE

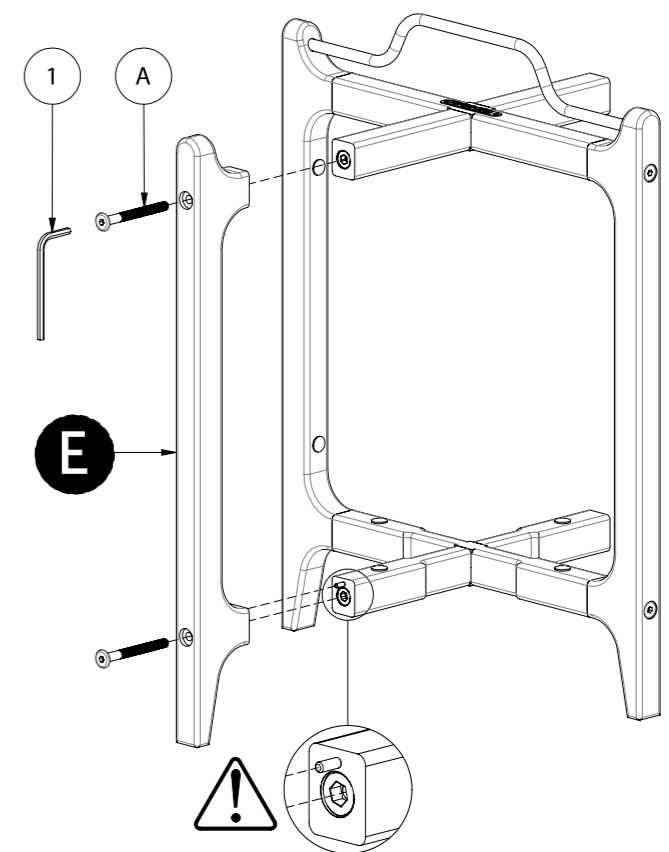
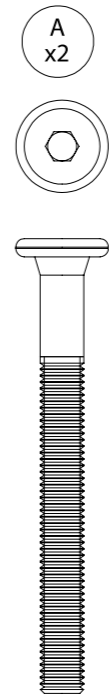


GLOSTER

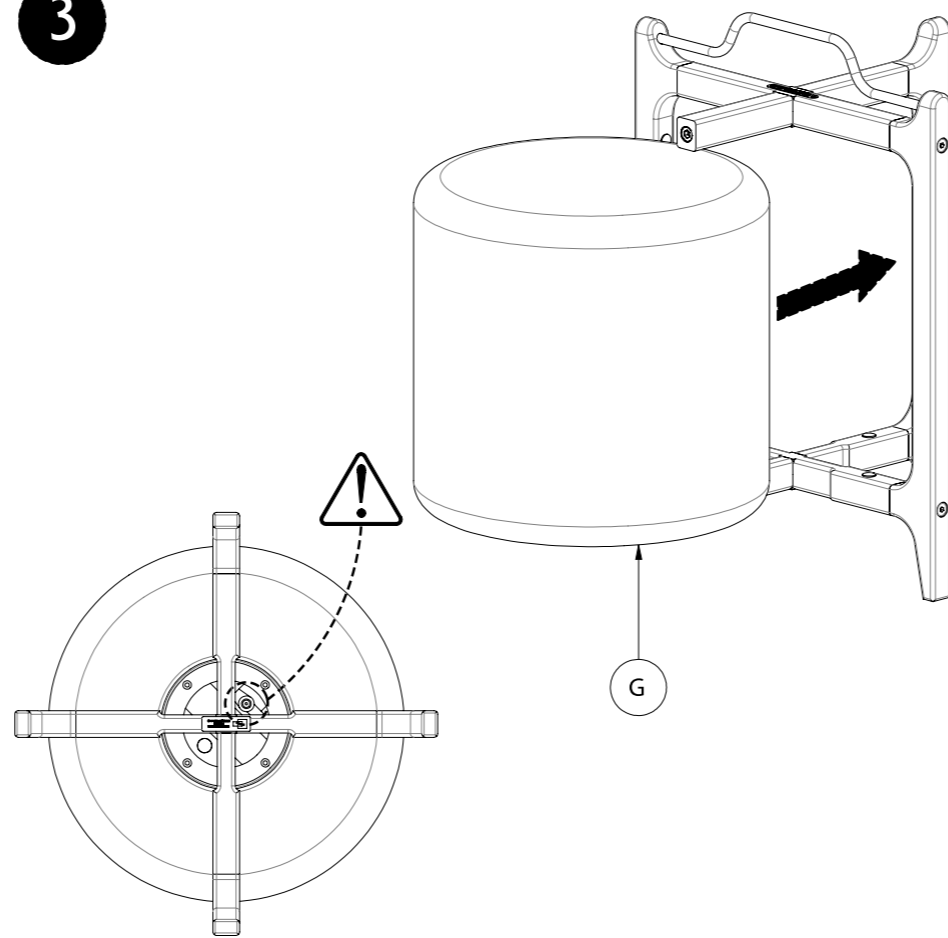
1



2



3



BOTTOM VIEW

4

