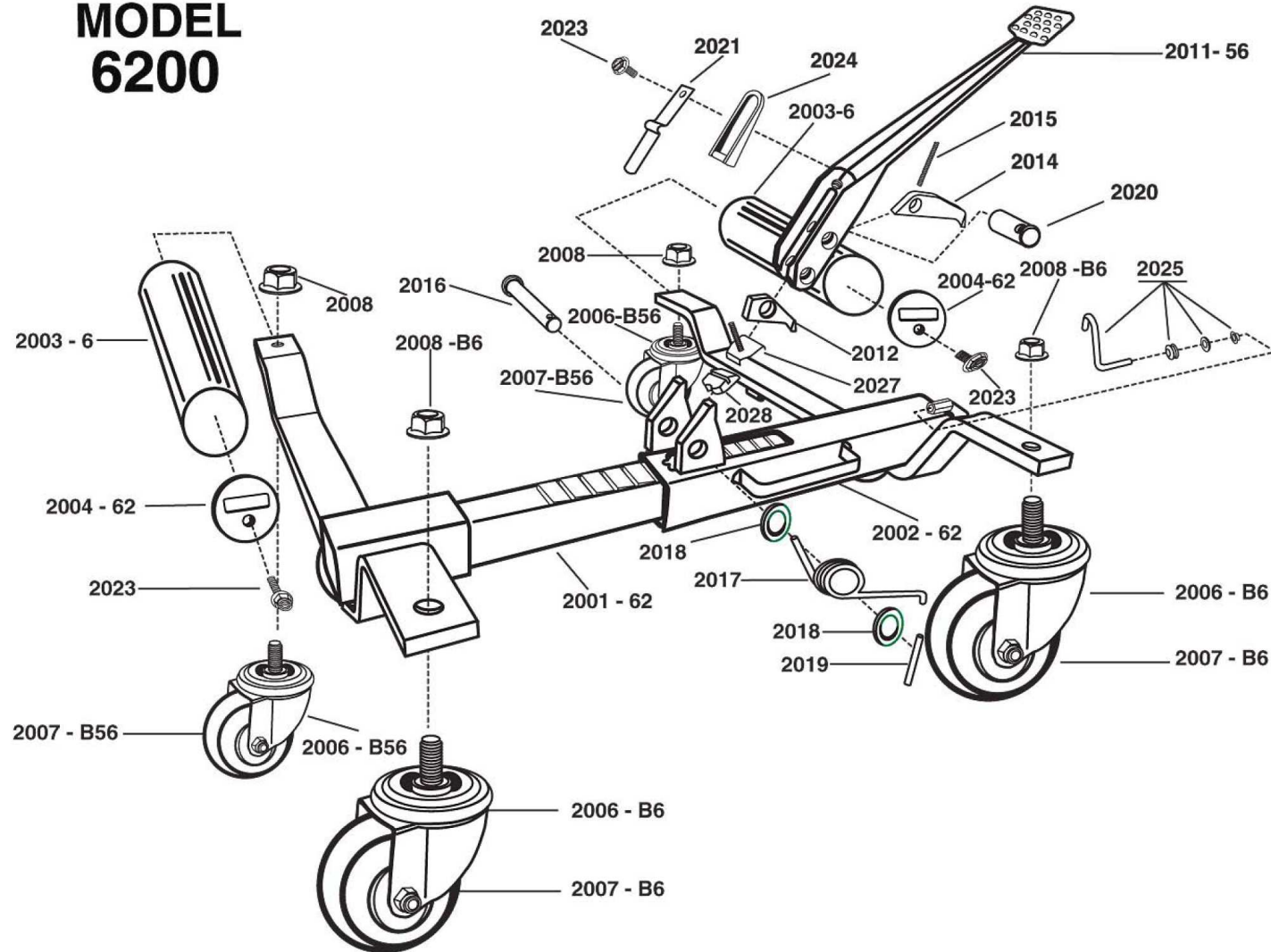


GOJAK MODEL 6200



GJ-2001-62R	Inner body & Axel assembly Right
GJ-2001-62L	Left hand version (not shown)
GJ-2002-62R	Outer body & Axel assembly Right
GJ-2002-62-L	Left hand version (not shown)
GJ-2003-6	Roller (Steel)
GJ-2004-62	Roller Raceway
GJ-2006-B56	Caster 4" (Complete c/w nut)
GJ-2006-B6	Caster 5" (Complete c/w nut)
GJ-2008	Locknut Caster 3" & 4"
GJ-2008-B6	Locknut Caster 5"
GJ-2011-56	Pedal
GJ-2012	Locking Pawl
GJ-2014	Working Pawl
GJ-2015	Working Pawl Spring
GJ-2016	Lower Pivot Shaft
GJ-2017-R	Torsion Spring Right
GJ-2017-L	Left hand version (not shown)
GJ-2018	Washer
GJ-2019	Roll Pin
GJ-2020	Upper Pivot Shaft
GJ-2021	Upper Flat Spring
GJ-2023	Self Tapping Bolt
GJ-2024	Directional Lever
GJ-2025-R	Pedal Lock Assembly Right
GJ-2025-L	Left hand version (not shown)
GJ-2027	End Stop Clip & Spring
GJ-2028	End Stop

cardno
Quality, by design

tel: +44 1582 662241
fax: +44 1582 412056
sales@cardno.co.uk
www.cardno.co.uk
shop.cardno.co.uk

Unit 20 Westbury Close
Townsend Farm Road Industrial Estate
Houghton Regis.
Bedfordshire
LU5 5BL