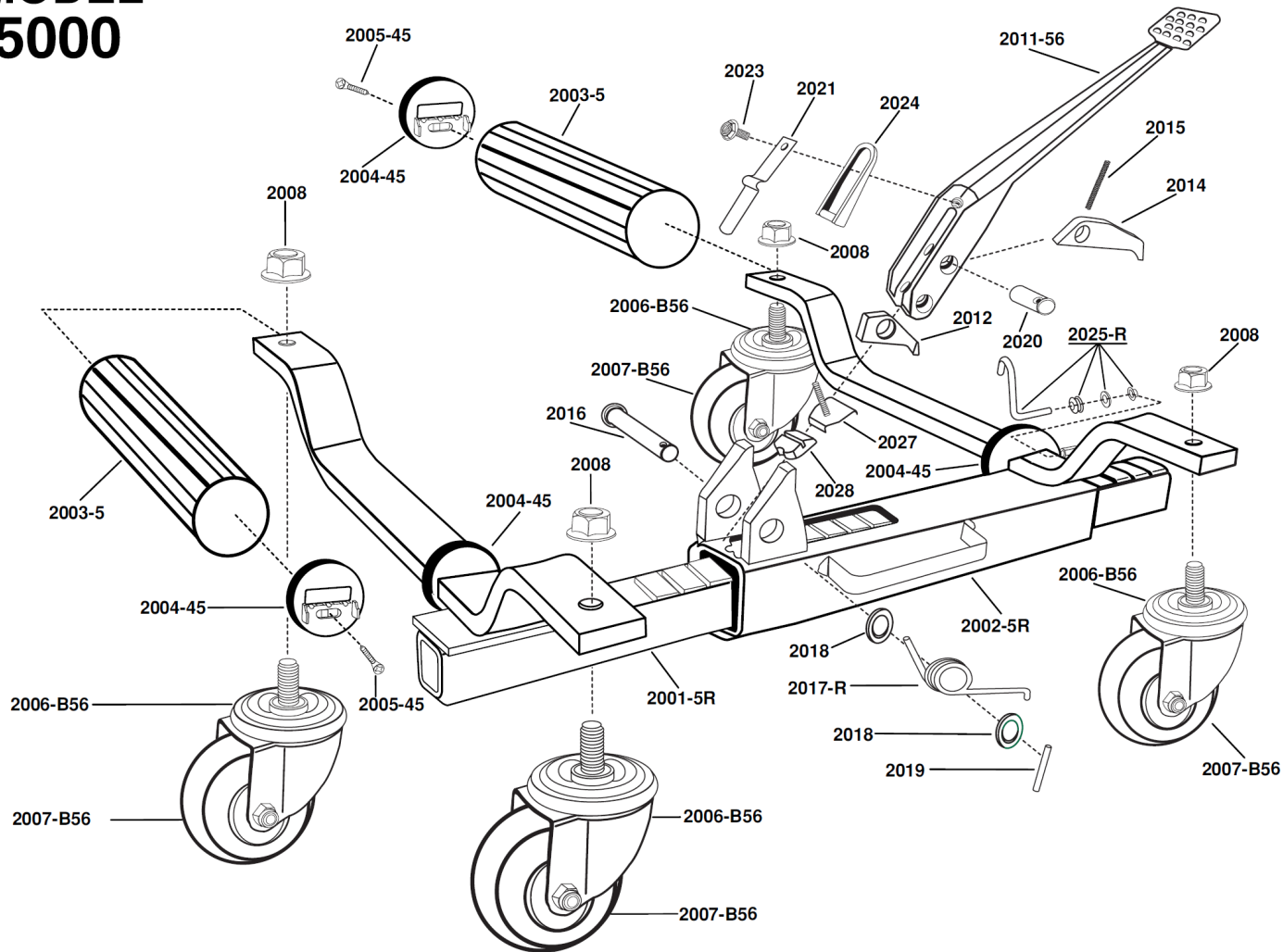


# GOJAK MODEL 5000



GJ-2001-5R	Inner body & Axel assembly Right
GJ-2001-5L	Left hand version (not shown)
GJ-2002-5R	Outer body & Axel assembly Right
GJ-2002-5L	Left hand version (not shown)
GJ-2003-5	Roller (High impact PVC)
GJ-2004-45	Roller Raceway (Nylon)
GJ-2005-45	Raceway Lock Screw
GJ-2006-B56	Caster 4" (Complete)
GJ-2008	Locknut Caster 3" & 4"
GJ-2011-56	Pedal
GJ-2012	Locking Pawl
GJ-2014	Working Pawl
GJ-2015	Working Pawl Spring
GJ-2016	Lower Pivot Shaft
GJ-2017-R	Torsion Spring Right
GJ-2017-L	Left hand version (not shown)
GJ-2018	Washer
GJ-2019	Roll Pin
GJ-2020	Upper Pivot Shaft
GJ-2021	Upper Flat Spring
GJ-2023	Self Tapping Bolt
GJ-2024	Directional Lever
GJ-2025-R	Pedal Lock Assembly Right
GJ-2025-L	Left hand version (not shown)
GJ-2027	End Stop Clip & Spring
GJ-2028	End Stop
GJ-2001-5R	Inner body & Axel assembly Right

**cardno**  
*Quality, by design*

tel: +44 1582 662241  
fax: +44 1582 412056  
sales@cardno.co.uk  
www.cardno.co.uk  
shop.cardno.co.uk

Unit 20 Westbury Close  
Townsend Farm Road Industrial Estate  
Houghton Regis.  
Bedfordshire  
LU5 5BL