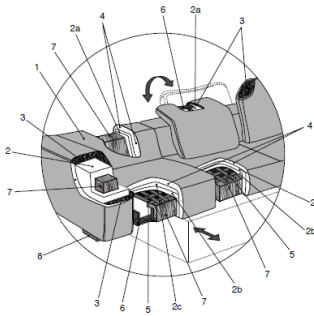


Seasons



materials

- 1_cover
- 2_frame upholstered with expanded polyurethane foam in different densities from 30 a 55 kg/m³
- 2a_back cushions upholstery is in polyurethane foam in different densities from 18 a 40 kg/m³, 6 types of foams
- 2b_seat cushions upholstery is in polyurethane foam in different densities from 40 to 55 kg/m³: 4 types of foams
- 2c_seat cushions in memory foams
- 3_sterilized hypoallergenic goose-down
- 4_acrylic padding
- 5_elastic belts
- 6_metal frame
- 7_frame in multilayer poplar
- 8_leg in solid beech wood

this model is also available with a mechanism in the seat that allows you to have different depth. The back cushion CSM is equipped with a mechanism that allows you to adjust the position to get the highest comfort

