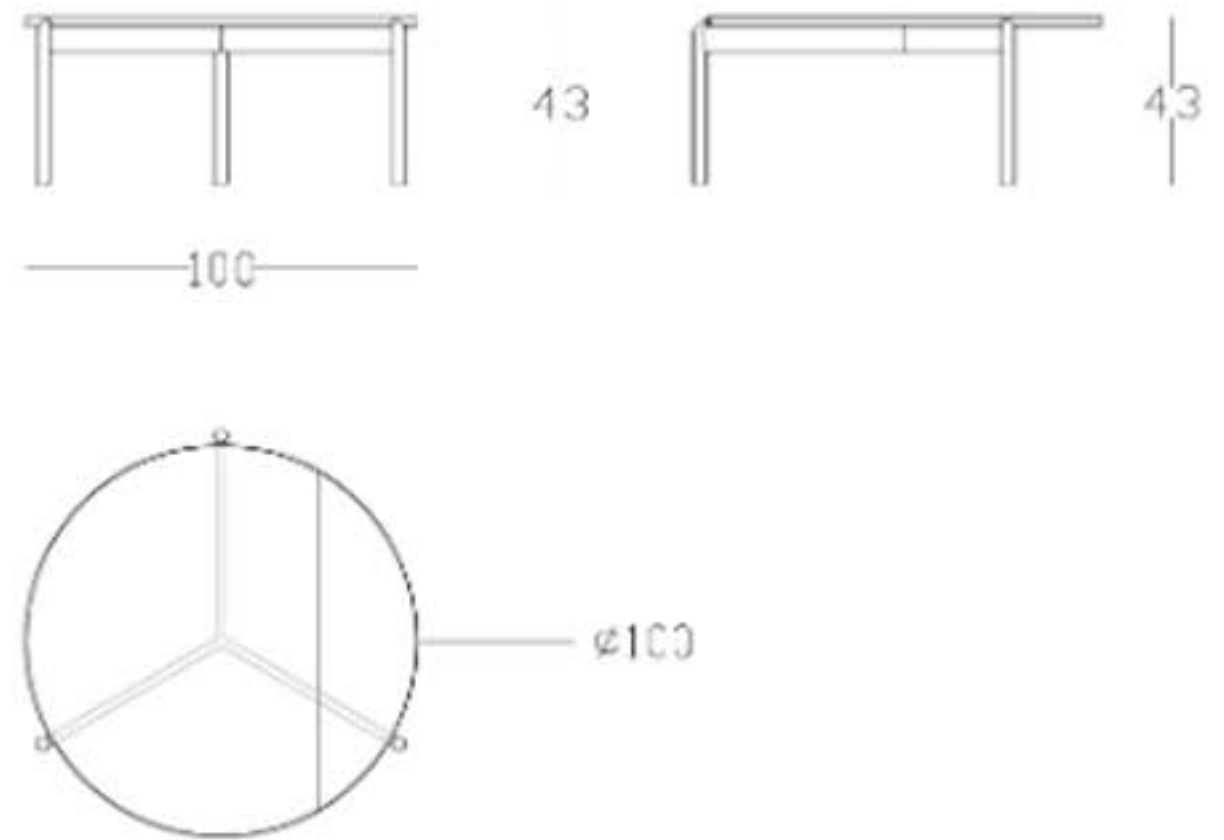
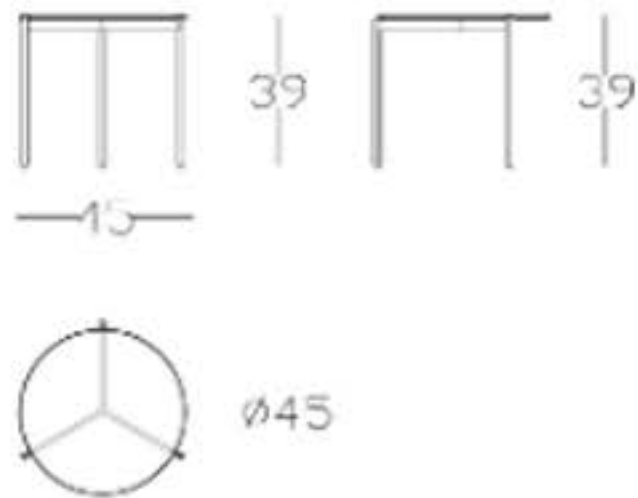


SHĀKE

TECHNICALS



SHĀKE

FINISHINGS

METALS "M"
GLASSES



M06 OTTONE BRUNITO



M03 BRONZO CHIARO



M02 BRONZO SCURO



M01 RAME



M07 TITANIO



M04 NERO

The pictures are illustrative and there may be slight chromatic variations in the realization.