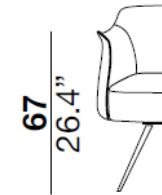
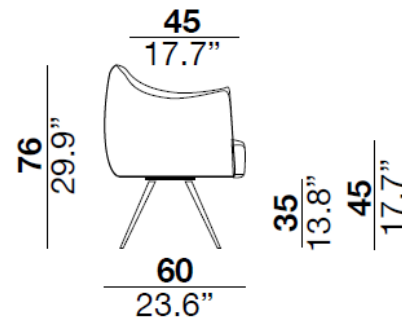
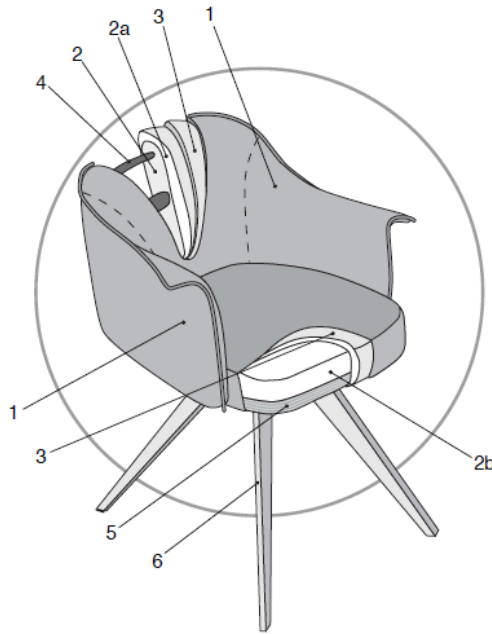
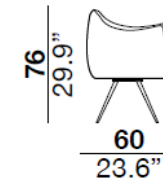
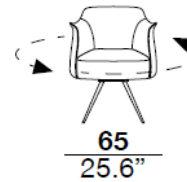


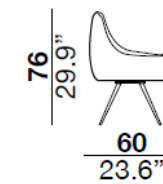
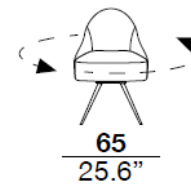
Boheme Swivel



S2B_swivel armchair



SNB_swivel armless chair



materials

1_cover

2_frame upholstered with cold-foam

2a_back rest upholstered with expanded polyurethane foam in different densities from 40 to 60 kg/m³

2b_back rest upholstered with expanded polyurethane foam in different densities from 40 to 60 kg/m³

3_acrylic padding

4_metal frame

5_frame in multilayer poplar

6_black chrome plated metal or polished chrome plated metal leg, equipped with a memory return swivel mechanism