

CEA34 BARIATRIC MORTUARY LIFTER

NULINE
REFRIGERATION

FEATURES

- Battery Operated
- Manually Activated System
- Flow Regulator to prevent the load to lower itself to quickly to prevent injury to operator after it has been lifted
- 304 Stainless Steel
- 2 steering wheels / 2 standard
- Lifter is compatible with our 890mm wide tray
- European engineered and manufactured



Lifting Capacity
280 Kg



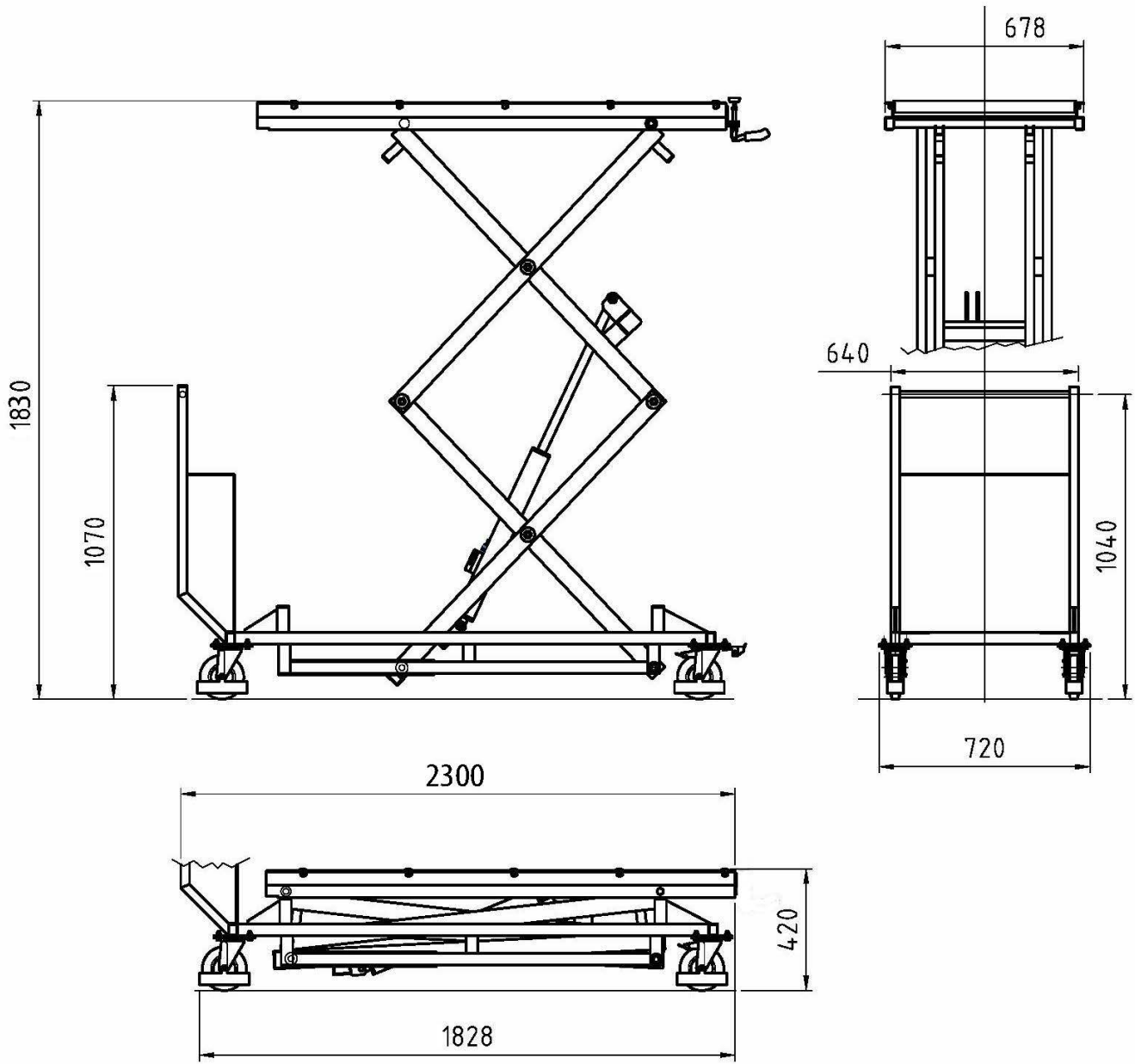
Lifter Dimensions
2200w x 720d x 1830h



Packed Dimensions
2700w x 1000d x 1230h



CEA34 BARIATRIC MORTUARY LIFTER



Nuline Refrigeration reserves the right to alter the specifications without prior notice.