

CUSTOM EQUIPMENT BAG



HIGHLIGHTS

- 1 Double layer customizable **straps**
- 4 **High volume** interior space
- 2 **ID Window** (fits standard size business card)
- 5 **Embroidery** (unlimited stitch counts)
- 3 Fully customizable **sublimated panel**
- 6 **Dual Layer** Bottom

Our extremely durable vinyl bags are designed with roomy interior compartments that fit all necessities with room to spare. Built for high performance and featuring multiple logo and design options, this is the ultimate equipment bag for any aspiring or professional athlete. It can be used for sports accessories, teamwear, corporate, lifestyle, and/or promo.



SIZES

- 28"
- 30"
- 32"
- 34"
- 36"
- 40"



CUSTOMIZATION

Two logos included
 Built-in **ID window**
Sublimated panel / name / number
 is available for an additional charge



REQUIREMENTS

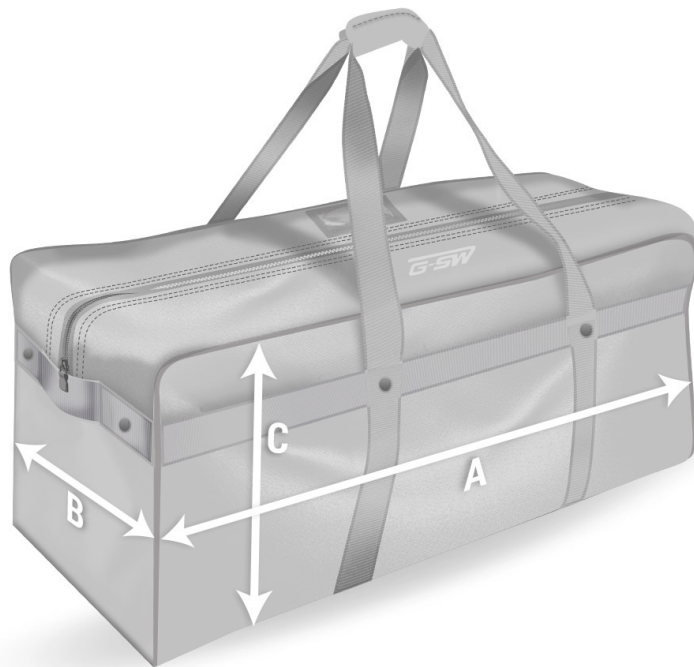
6 pieces per design
4 - 6 weeks turnaround
 Complimentary mock ups / design
 Vector Images Required



SIZING GUIDE

CUSTOM EQUIPMENT BAG

MEASUREMENTS	28"	30"	32"	34"	36"	40"
A LENGTH	28"	30"	32"	34"	36"	40"
B WIDTH	18"	18"	18"	18"	18"	18"
C HEIGHT	18"	18"	18"	18"	18"	18"



All Sizing In Inches

- All pricing is before taxes applied to applicable provinces.
- Logos must be submitted in a vector format. An art fee will apply for non vectored logos.
- A deposit of 50% must be paid to begin production.
- Production will begin one to two business days after a deposit has been made.
- Payment balance is due before shipping or pick up is completed.
- Shipping/sorting time is additional to production time.
- Over 50 piece order timelines will be quoted upon order date.
- Once an order has been placed, there are no changes or additions.
- All orders take one month to six weeks to produce.
- A minimum of 6 pieces per style.