



LAH.01.10700
Honda Africa Twin 1100
Light Mounting Brackets

Thank you for choosing DENALI

We know you would rather be riding your bike than wrenching on it, so we go the extra mile to make sure our instructions are clear and as easy to understand as possible. If you have any questions, comments, or suggestions don't hesitate to give our gear experts a call at 401.360.2550 or visit WWW.DENALIELECTRONICS.COM

Please Read Before Installing

DENALI products should always be installed by a qualified motorcycle technician. If you are unsure of your ability to properly install a product, please have the product installed by your local motorcycle dealer. DENALI takes no responsibility for damages caused by improper installation. **Caution:** When installing electronics it is extremely important to pay close attention to how wires are routed, especially when mounting products to the front fender, front forks, or fairing of your motorcycle. Always be sure to turn the handlebars fully left, fully right, and fully compress the suspension to ensure the wires will not bind and have enough slack for your motorcycle to operate properly.

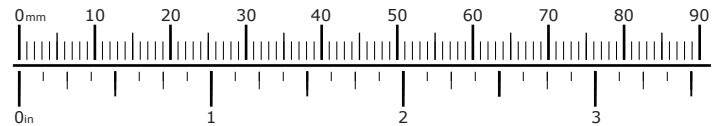
Installation Tips

We strongly recommend using medium strength liquid thread locker on all screws, nuts, and bolts. It is also important to ensure that all hardware is tightened to the proper torque specifications as listed in your owner's manual. For included accessory hardware please refer to the default torque specifications provided below. Inspect all hardware after the first 30 miles to ensure proper torque specifications are maintained.

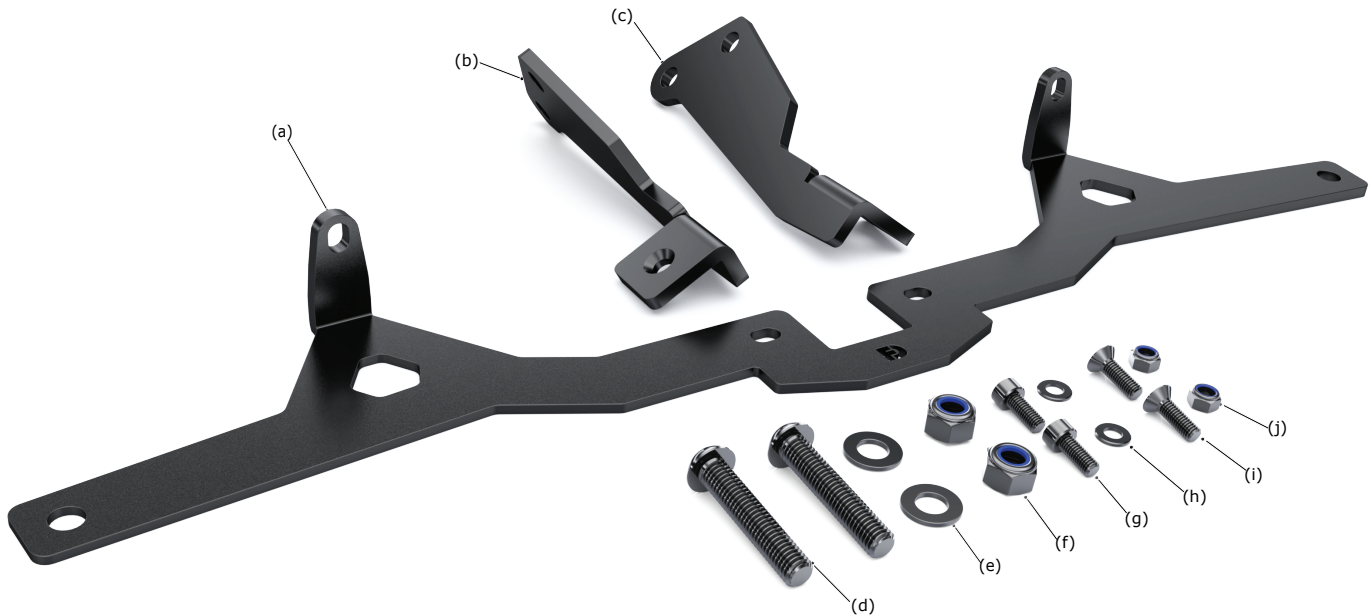
Bolt Size	in-lbs	ft-lbs	Nm
M3	10.0 in-lbs	-	1.0 Nm
M4	23.0 in-lbs	-	2.5 Nm
M5	44.5 in-lbs	3.5 ft-lbs	5.0 Nm
M6	78.0 in-lbs	6.5 ft-lbs	9.0 Nm
M8	-	13.5 ft-lbs	18.0 Nm
M10	-	30.0 ft-lbs	41.0 Nm
M12	-	52.0 ft-lbs	71.0 Nm

Hardware Sizing Guide

Not sure what size bolt you have? Use this ruler to measure screws, bolts, spacers, etc. Remember, the length of a screw or bolt is measured from the start of the "mounting surface" to the end of the screw, so only include the screw head when measuring countersunk screws.



What's In The Box?



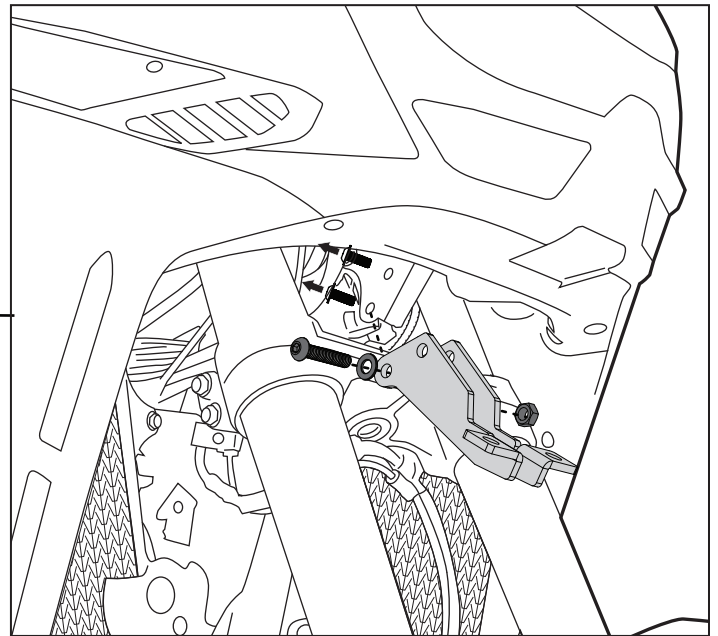
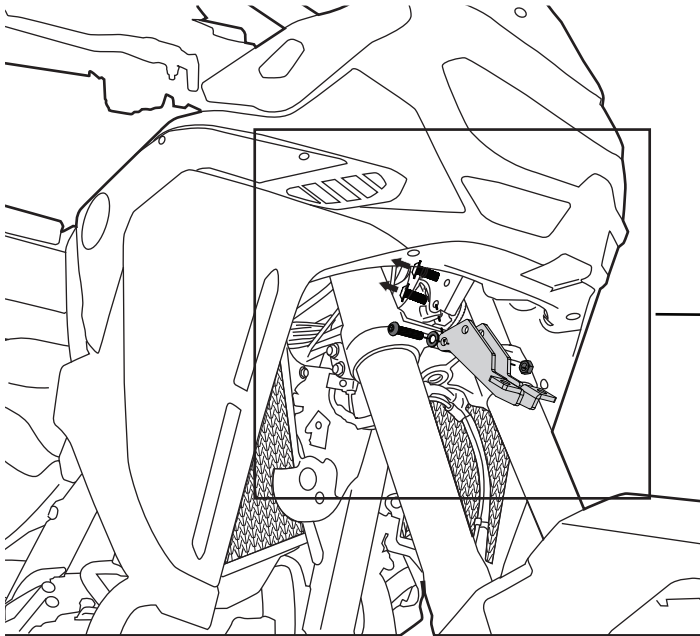
Kit Contents

- (a) LAH.01.010...Horizontal Support Arm.....Qty 1
- (b) LAH.01.011...Right Side Brace.....Qty 1
- (c) LAH.01.012...Left Side Brace.....Qty 1
- (d) M8 x 40mm Button Head Srew.....Qty 2
- (e) M8 washer.....Qty 2
- (f) M8 Locking Nut.....Qty 2

- (g) M5 x 12mm Socket Head Screw.....Qty 2
- (h) M5 Washer.....Qty 2
- (i) M5 x 16mm Counter Sink Srew.....Qty 2
- (j) M5 Locking nut.....Qty 2

Tools Required: 13mm Wrench, 8mm Wrench, 5mm Allen Key, 4mm Allen Key, 3mm Allen Key.

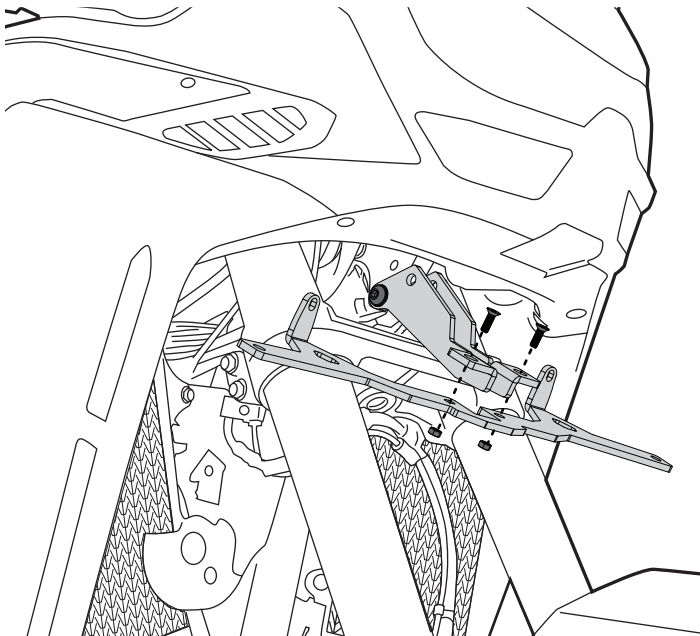
1. Installing The Light Mount



1.1 - Installing Braces

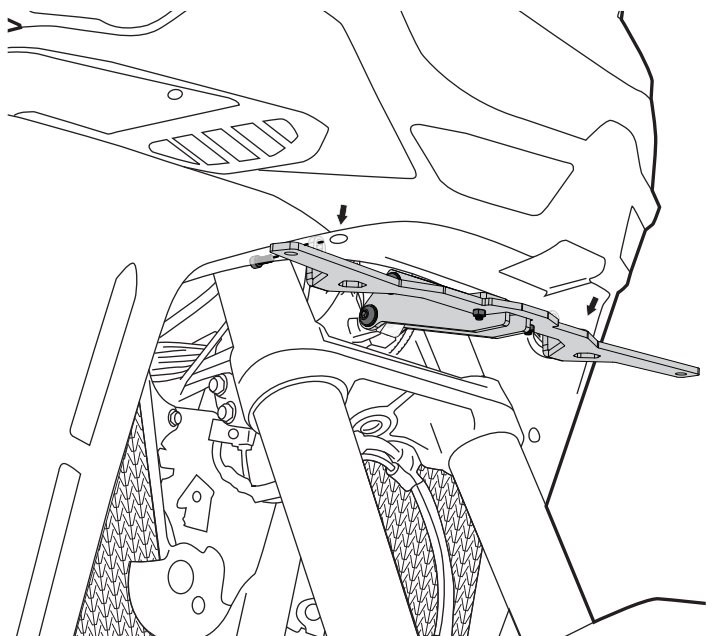
Step One: Start by removing the factory mounting bolts from the right side of the upper fairing stay.

Step Two: Using the M8x40mm Button head (d), M8 Washer (e), and M8 Nut (f) secure both braces (b,c) to either side of the fairing stay through the lower mounting hole and hand tighten, leaving the braces angled down.



1.2 - Installing Horizontal Support Arm

Step One: Using the two M5 countersink screws (i) and M5 nuts (j) secure the Horizontal support arm (a) to the underside of the bent tabs on your installed braces (b,c), you'll need an 8mm wrench and a 3mm hex bit.



1.3 - Securing the Support Arm

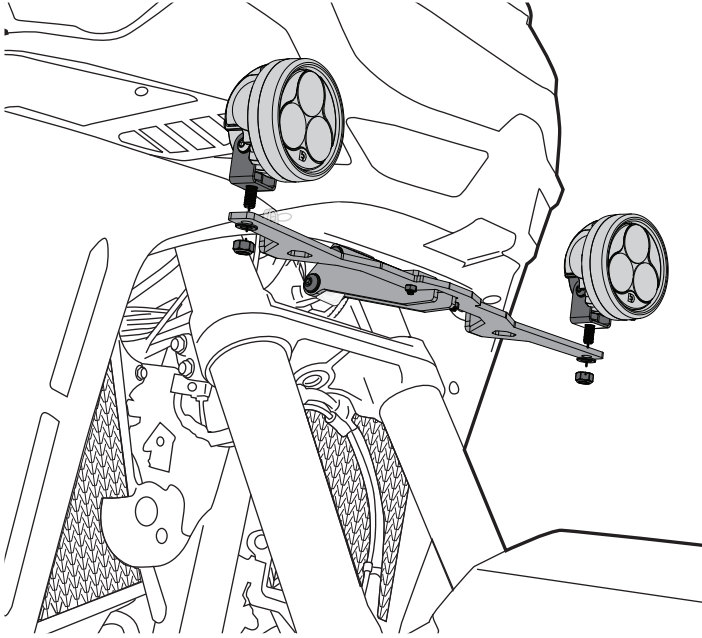
Step One: On the bottom side of the plastic cover below the lights there are two circles, one on either side indicated with arrows, and behind them on the inside of the cover are two mounting points. Remove the factory screws from these locations.

Step Two: Rotate the combined bracket upwards to align the top mounting holes on the braces with the top hole on the upper fairing stay. Securely tighten both bolts using a 13mm wrench and 5mm hex bit.

Step Three: Using the two M5 socket heads (g) secure the slots in the vertical tabs on either side of the support arm to the mounting points on the inside of the plastic cover.

NOTE: In order to slip the two horizontal tabs on the support arm (a) into place, you may need to slightly flex the bracket or the plastic cover below the lights to get past it.

2. Installing The Light Mount



1.4 - Mounting Lights to the Bracket

Step One: Locate the mounting holes on the far ends of the support arm and secure your LED Light Pods using the lights provided hardware.

Note: For ease of installation you may have to remove the swivel bracket from your light pod and secure that first.