

# UltraPole: The Universal Antenna Mount (Base Kit)

by WAVEFORM

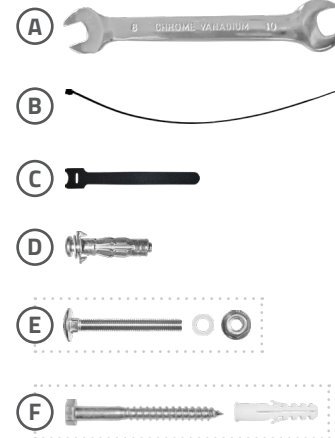
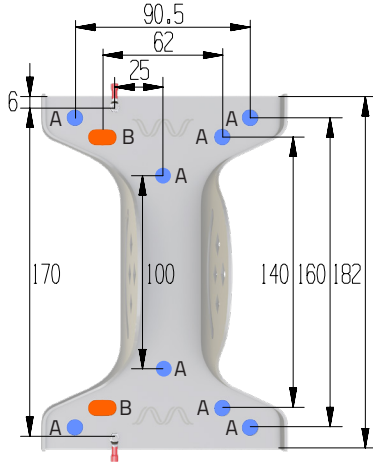
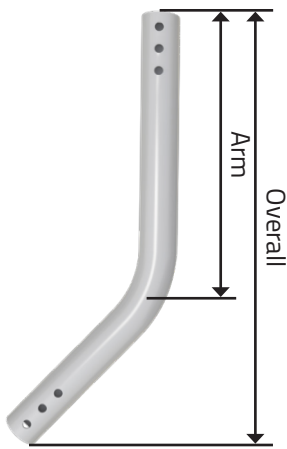
## SKU: WF-UPM-Base

### Main Features:

- Made of galvanized carbon steel for corrosion protection
- 90° of free pivoting with 3 lockable pivot positions (0°, 45°, 90°)
- Integrated ground terminals
- Easy to install
- Net weight: 1.2 kg (2.7 lbs)



### Specifications:



#### J-Pole:

Color	Industrial Grey (RAL7035)
Material	Galvanized Carbon Steel
Thickness	2.0 mm (0.1 in.)
Diameter	38 mm (1.5 in.) O.D. 34 mm (1.4 in.) I.D.
Overall Length	42.0 cm (16.5 inch)
Arm Length	26.7 cm (10.5 inch)
Coating	Matte Powder Coat
Weight	0.8 kg (1.8 lbs)
Quantity	1

#### Footpad:

Color	Industrial Grey (RAL7035)
Material	Galvanized Carbon Steel
Thickness	2.1 mm (0.1 in.)
Footpad	18.2 x 12.5 x 7.7 cm (7.2 x 4.9 x 3.0 in.)
Hole A	Ø8.3 mm (Ø0.33 in.)
Hole B	14.6 x 8.3 mm (0.6 x 0.3 in.)
Ground Terminal	M3 x 10.0 mm
Coating	Matte Powder Coat
Weight	0.4 kg (0.9 lbs)
Quantity	1

#### Mounting Tools:

#	Part Name	Material	Dimensions	Qua.
A	Wrench	Steel	Size-8/10 mm	1
B	Zip Tie	Plastic	250 mm	4
C	Velcro Tie	Plastic	150 x 12 x 1 mm	5
D	Expansion Bolt	Steel	M6 x 52 mm	5*
	Carriage Bolt	Steel	M6 x 55 mm	
E	Washer	Plastic	M6	4*
	Flange Nut	Steel	M6	
F	Hex-Head Wood Screw	Steel	M6 x 60 mm	5*
	Anchor	Plastic	Ø10 x 50 mm	

\*Includes 1x spare

# UltraPole: The Universal Antenna Mount (Extension Kit)

by WAVEFORM

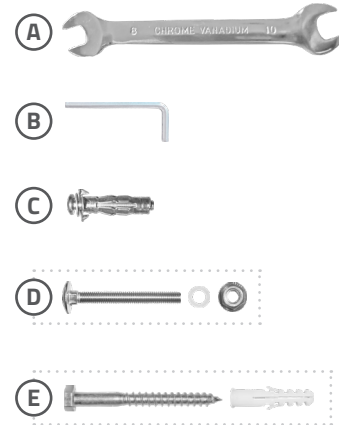
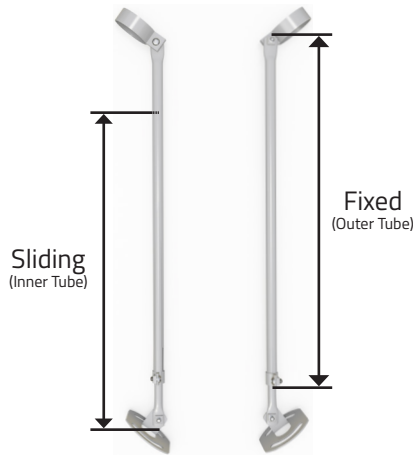
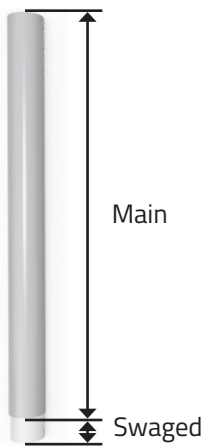
## SKU: WF-UPM-Ext

### Main Features:

- Made of galvanized carbon steel for corrosion protection
- Extends pole length by 38.4 cm
- Includes brace arm supports for heavy duty installations
- Easy to install
- Net weight: 1.5 kg (3.3 lbs)



### Specifications:



#### Extension Pole:

Color	Industrial Grey (RAL7035)
Material	Galvanized Carbon Steel
Thickness	2.0 mm (0.08 in.)
Main Section	38.0 mm (1.5 in.) O.D. 34.0 mm (1.4 in.) I.D.
Swaged Section	34.0 mm (1.4 in.) O.D. 30.0 mm (1.8 in.) I.D.
Length	41.9 cm (16.5 in.)
Coating	Matte Powder Coat
Weight	0.8 kg (1.8 lbs)
Quantity	1

#### Brace Arms:

Color	Industrial Grey (RAL7035)
Material	Galvanized Carbon Steel
Fixed Section	32.0 x Ø12.0 mm (1.26 x Ø0.5 in.)
Sliding Section	30.0 x Ø8.0 mm (1.18 x Ø0.3 in.)
Overall Length	61.0 cm (24.0 in.) max 35.0 cm (13.8 in.) min
Footpad	5.0 x 6.0 cm (1.96 x 2.4 in.)
Coating	Matte Powder Coat
Weight	0.7 kg (1.5 lbs)
Quantity	2

#### Mounting Tools:

#	Part Name	Material	Size	Qua.
A	Wrench	Steel	Size-8/10 mm	1
B	Allen Wrench	Aluminum	Size-4mm	1
C	Expansion Bolt	Steel	M6 x 52 mm	5*
D	Carriage Bolt	Steel	M6 x 55 mm	2*
	Washer	Plastic	M6	
E	Flange Nut	Steel	M6	5*
	Hex-Head Wood Screw	Steel	M6 x 60 mm	
	Anchor	Plastic	Ø10 x 50 mm	

\*Includes 1x spare