

75 Ohm Lightning Surge Protector Kit

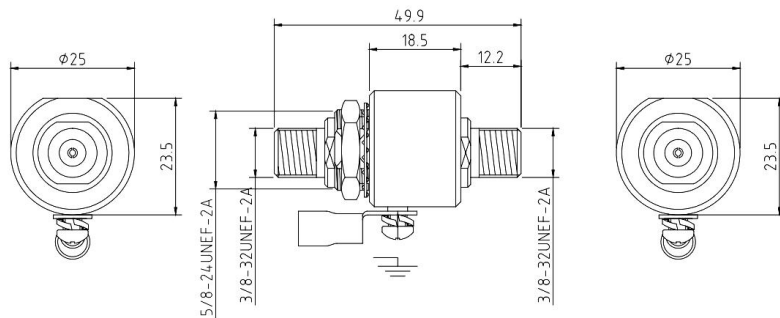
by WAVEFORM

SKU: RSRF-LSP-75-KIT



Main Features:

- F-Female to F-Female Bulkhead Connector
- 0-3000 MHz
- 50 Ω
- 5 ft Grounding Wire
- 5 ft Jumper Cable



Connector (SKU: RSRF-LSP-75) Specifications:

Electrical:

Frequency Range	0 - 3000 MHz
VSWR (DC)	$\leq 1.2:1$
Insertion Loss	≤ 0.4 dB
Input Impedance	75 Ω
Gas Tube Breakdown Voltage (DC)	230 V
Initial Impulse Wave Discharge	< 700 V (1KV/ μ s)
Rated Impulse Wave Discharge (8/20 μ s)	10 KA

Mechanical:

Connector Side A Type	F-Female Bulkhead
Connector Side B Type	F-Female
Connector Body Mat.	Tri-Metal Plated Brass
Body Material	Tri-Metal Plated Brass
Pin Material	Gold Plated Brass
O-Ring Material	Rubber
Ground Connection	By Feedthrough or Screw Terminal
Dimensions	25 mm \varnothing x 49.9 mm
Net Weight	0.13 kg
NFPA Rated?	No
ROHS Compliant?	Yes

Environmental:

Operating Temperature	-55 to +155 deg C
-----------------------	-------------------



WAVEFORM

3411 W. Lake Center Drive,
Santa Ana, CA 92704

www.waveform.com
1-800-761-3041

75 Ohm Lightning Surge Protector Kit

by WAVEFORM



Grounding Cable Specifications:

Electrical:

Voltage Rating (AC)	600 V
---------------------	-------

Mechanical:

Jacket Color	Red
Cable Type	Copper
Cable Diameter	6 mm
AWG	10 AWG
Cable Length	1.5 m (5 ft)
Connector Type	Ring Terminal
Connector Hole Diam.	4 mm
Net Weight	0.07 kg
NFPA Rated?	No

Environmental:

UV Rated?	No
Operating Temperature	-55 to +155 deg C



Jumper Cable (SKU: CARG6U-FMFM-005F) Specifications:

Electrical:

Input Imped.	75 Ω
Freq. Range	0 - 3000 MHz
VSWR	≤ 1.2 (Straight) ≤ 1.3 (Right Angle)
Capacitance	< 69.59 pF/m
Velocity	66 %
Shielding	> 90 dB
Insulation Resist.	≥ 5000 M Ω
Power	3 kW (Average)
Voltage	170 V max (Working) 500 V rms (Withstand)

Mechanical:

Jacket Color	White
Cable Type	RG6
Cable Diam.	6.9 mm
Cable Length	1.5 m (5 ft)
Bending Radius	34.8 mm
Connector Type	F-Male
Connector Diam.	11.0 mm
Net Weight	0.20 kg

Description Material Plating

Jacket	PE	N/A
Dielectric	PTFE	N/A
O-Ring	Silicone Rubber	N/A
Inner Conductor	Brass	Gold
F Body	Brass	Nickel
Coupling Nut	Brass	Nickel

Environmental:

UV Rated?	No
Operating Temperature	-40 to +60 deg C



WAVEFORM

3411 W. Lake Center Drive,
Santa Ana, CA 92704

www.waveform.com
1-800-761-3041