

# N-Male RS400 Coax Cable Crimp

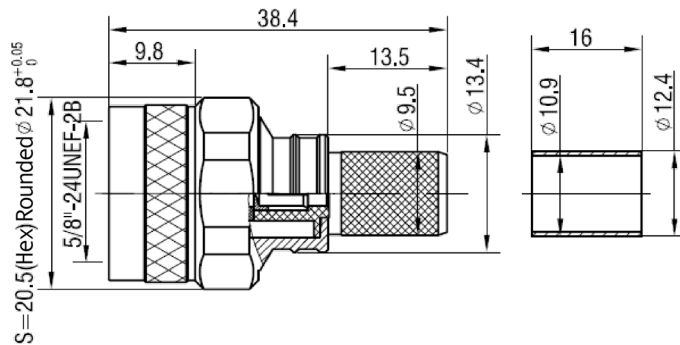
by WAVEFORM

SKU: RS400-NM-CRIMP



## Main Features:

- N-Male Crimp for all 400-type cables
- Solderless Contact Pin
- 0-6000 MHz
- 50  $\Omega$



## Specifications:

### Electrical:

Input Impedance	50 $\Omega$
Frequency Range	0 - 6000 MHz
VSWR	$\leq 1.25:1$
Voltage	1500 V max (Working) 2500 V rms (Withstand)
Insertion Loss	< 0.05 dB
Contact Resistance	$\leq 1$ m $\Omega$ (center) $\leq 1$ m $\Omega$ (outer)
Insulation Resistance	$\geq 5000$ M $\Omega$

### Mechanical:

Connector Type	N-Male
Connector Diameter	20.3 mm
Crimp Angle	Straight
Crimp Length	38.4 mm
Net Weight	45 g

### Components:

Description	Material	Plating
Body	Brass	Zinc Alloy 3
Contact Pin	Beryllium Bronze	Gold
Crimping Suite	Brass	Zinc Alloy 3
Dielectric	PTFE	

### Environmental:

Operating Temp.	-55 to +155 deg C
-----------------	-------------------



WAVEFORM

3411 W. Lake Center Drive,  
Santa Ana, CA 92704

www.waveform.com  
1-800-761-3041