

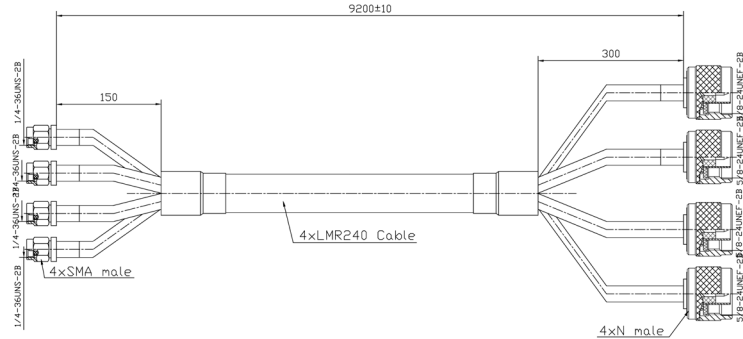
Quad-RS240 N-Male to SMA-Male Coaxial Cable (30ft)

by WAVEFORM

SKU: RS240-QUAD-NM-SMAM-30

Main Features:

- N-Male to SMA-Male connectors
- 0-6000 MHz
- 50 Ω
- 17.8 mm (0.7 inch) diameter cable



Section Description	Material	Plating
N Body	Brass	Nickel
SMA Body	Brass	Gold
Inner Conductor	Aluminum	Copper
Dielectric	FPE	
Outer Conductor	Bonded Aluminum Foil	
Overall Braid	Aluminum-Magnesium Wire	
Jacket (Indiv.)	PVC	
Inter-Cable Fill	PP-Polyester	
Jacket (Group)	PVC	

Specifications:

Electrical:

Input Impedance	50 Ω
Frequency Range	0 - 6000 MHz
VSWR	≤ 1.25
Capacitance	79.4 pF/m
Velocity	84 %
Shielding	> 90 dB
Power Rating (Peak)	5.6 kW
Voltage	1500 V max (Working) 2500 V rms (Withstand)
Contact Resist. (N)	≤ 1 m Ω (Center) ≤ 1 m Ω (Outer)
Contact Resist. (SMA)	≤ 3 m Ω (Center) ≤ 2 m Ω (Outer)
Insulation Resist.	≥ 5000 M Ω

RF Attenuation (per 30 ft):

600 MHz	1.8 dB
900 MHz	2.3 dB
1800 MHz	3.3 dB
2100 MHz	3.5 dB
2500 MHz	3.9 dB
3000 MHz	4.3 dB
4000 MHz	4.9 dB
5000 MHz	5.6 dB
6000 MHz	6.2 dB

Environmental:

Burial Rated?	No
UV Rated?	Yes
Operating Temp.	-55 to +155 deg C

Mechanical:

Jacket Color	Black
Cable Type	RS240 (LMR240)
Cable Diameter (Group)	17.8 mm (0.7 in)
Cable Diameter (Indiv.)	6.1 mm (0.24 in)
Cable Length	9.2 m (30 ft)
Bending Radius	30 mm (1.2 in.)
Connector A Type	N-Male
Connector A Diameter	20.3 mm (0.9 in.)
Connector B Type	SMA-Male
Connector B Diameter	7.9 mm (0.3 in.)
Net Weight	1.82 kg (4.0 lbs)



WAVEFORM

3411 W. Lake Center Drive,
Santa Ana, CA 92704

www.waveform.com
1-800-761-3041