

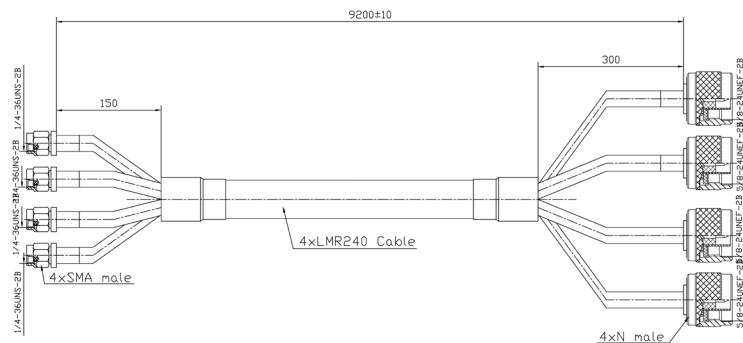
Quad-RS240 N-Male to SMA-Male Coaxial Cable (30ft)

by WAVEFORM

SKU: RS240-QUAD-NM-SMAM-30

Main Features:

- N-Male to SMA-Male connectors
- 0-6000 MHz
- 50 Ω
- 17.8 mm (0.7 inch) diameter cable



Section Description	Material	Plating
N Body	Brass	Nickel
SMA Body	Brass	Gold
Inner Conductor	Aluminum	Copper
Dielectric	FPE	
Outer Conductor	Bonded Aluminum Foil	
Overall Braid	Aluminum-Magnesium Wire	
Jacket (Indiv.)	PVC	
Inter-Cable Fill	PP-Polyester	
Jacket (Group)	PVC	

Specifications:

Electrical:

Input Impedance	50 Ω
Frequency Range	0 - 6000 MHz
VSWR	≤ 1.25
Capacitance	79.4 pF/m
Velocity	84 %
Shielding	> 90 dB
Power Rating (Peak)	5.6 kW
Voltage	1500 V max (Working) 2500 V rms (Withstand)
Contact Resist. (N)	≤ 1 m Ω (Center) ≤ 1 m Ω (Outer)
Contact Resist. (SMA)	≤ 3 m Ω (Center) ≤ 2 m Ω (Outer)
Insulation Resist.	≥ 5000 M Ω

RF Attenuation (per 30 ft):

600 MHz	1.8 dB
900 MHz	2.3 dB
1800 MHz	3.3 dB
2100 MHz	3.5 dB
2500 MHz	3.9 dB
3000 MHz	4.3 dB
4000 MHz	4.9 dB
5000 MHz	5.6 dB
6000 MHz	6.2 dB

Environmental:

Burial Rated?	No
UV Rated?	Yes
Operating Temp.	-55 to +155 deg C

Mechanical:

Jacket Color	Black
Cable Type	RS240 (LMR240)
Cable Diameter (Group)	17.8 mm (0.7 in)
Cable Diameter (Indiv.)	6.1 mm (0.24 in)
Cable Length	9.2 m (30 ft)
Bending Radius	30 mm (1.2 in.)
Connector A Type	N-Male
Connector A Diameter	20.3 mm (0.9 in.)
Connector B Type	SMA-Male
Connector B Diameter	7.9 mm (0.3 in.)
Net Weight	1.82 kg (4.0 lbs)



WAVEFORM

3411 W. Lake Center Drive,
Santa Ana, CA 92704

www.waveform.com
1-800-761-3041

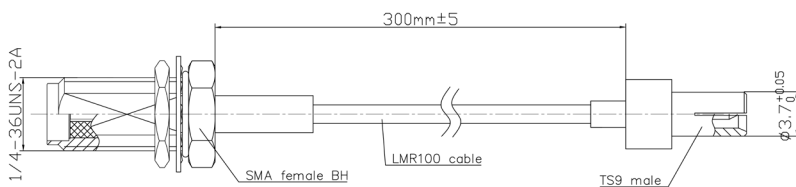
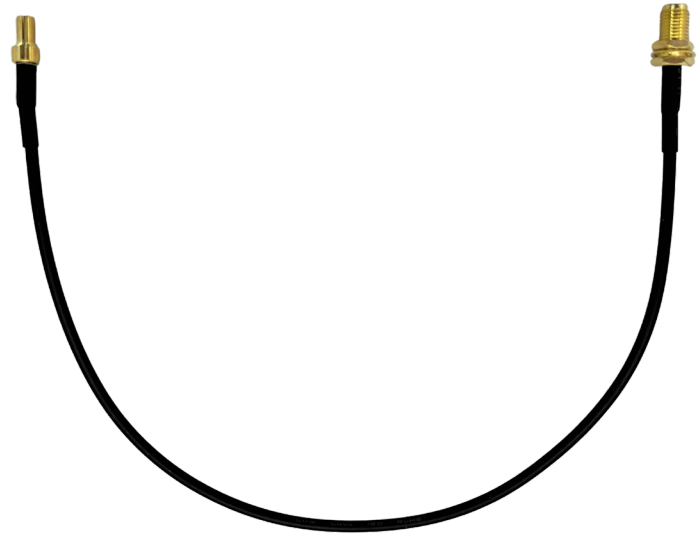
SMA-Female to TS9-Male Pigtail Adapter

by WAVEFORM

SKU: PTA-SMAF-TS9M

Main Features:

- SMA-Female to TS9-Male connector
- 0-6000 MHz
- 50 Ω
- 2.79 mm diam. cabling



Section Description	Material	Plating
SMA Body	Brass	Gold
TS9 Body	Brass	Gold
Crimping Suite	Brass	Nickel
Inner Conductor	Phosphor Bronze	Gold
Jacket	PE	
Gasket	Silicone Rubber	
Dielectric	PTFE	

Specifications:

Electrical:

Input Impedance	50 Ω
Frequency Range	0 - 6000 MHz
VSWR	≤ 1.25
Capacitance	101.1 pF/m
Velocity	66 %
Shielding	> 90 dB
Power Rating (Peak)	0.6 kW
Insertion Loss (Typical)	< 0.4 dB @ 6000 MHz

Mechanical:

Jacket Color	Black
Cable Type	LMR100
Cable Diameter	2.79 mm
Cable Length	30 cm
Bending Radius	6.35 mm
Connector A Type	SMA-Female
Connector A Diameter	7.9 mm
Connector B Type	TS9-Male
Connector B Diameter	3.8 mm
Net Weight	30 g

Environmental:

Burial Rated?	No
UV Rated?	No
Operating Temperature	-40 to +85 deg C



WAVEFORM

3411 W. Lake Center Drive,
Santa Ana, CA 92704

www.waveform.com
1-800-761-3041

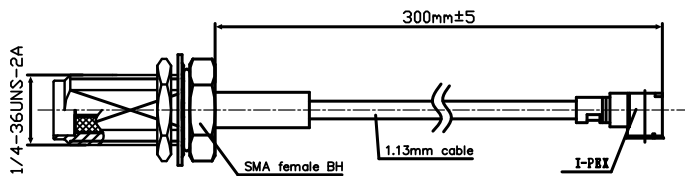
SMA-Female to U.FL Pigtail Adapter

by WAVEFORM

SKU: PTA-SMAF-UFL-V2

Main Features:

- SMA-Female to U.FL-Female connector
- 0-6000 MHz
- 50 Ω
- 1.13 mm diam. cabling



Section Description	Material	Plating
SMA Body	Brass	Gold
I-PEX UFL Body	Brass	Gold
Inner Conductor	Steel	Silver & Copper
Dielectric	PTFE	N/A
Outer Conductor	Copper Braid	Silver
Jacket	FEP	Nickel

Specifications:

Electrical:

Input Impedance	50 Ω
Frequency Range	0 - 6000 MHz
VSWR	≤ 1.15 (Straight) ≤ 1.25 (Right Angle)
Capacitance	95.6 pF/m
Velocity	70 %
Voltage	335 V max (Working) 1000 V rms (Withstand)
Insertion Loss	< 0.7 dB @ 6000 MHz
Contact Resistance	≤ 3 m Ω (Center) ≤ 2 m Ω (Outer)
Insulation Resistance	≥ 5000 M Ω

Mechanical:

Jacket Color	Black
Cable Type	1.13mm
Cable Diameter	1.13 mm (0.05 in.)
Cable Length	30 cm (12 in.)
Bending Radius	4 mm (0.15 in.)
Connector A Type	SMA-Female Bulk-head
Connector A Angle	Straight
Connector A Diameter	7.0 mm (0.27 in.)
Connector B Type	U.FL-Female
Connector B Angle	Right-Angle
Connector B Diameter	2.0 mm (0.8 in.)
Net Weight	15 g (0.5 oz)

Environmental:

Burial Rated?	No
UV Rated?	No
Operating Temp.	-40 to +85 deg C



WAVEFORM

3411 W. Lake Center Drive,
Santa Ana, CA 92704

www.waveform.com
1-800-761-3041

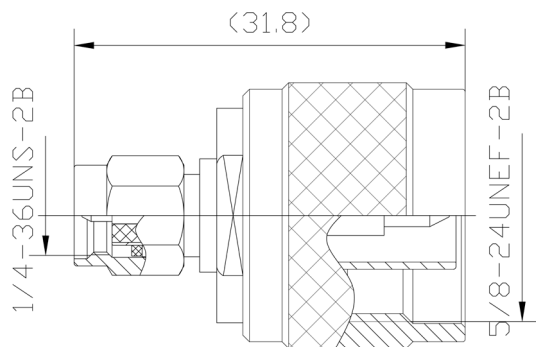
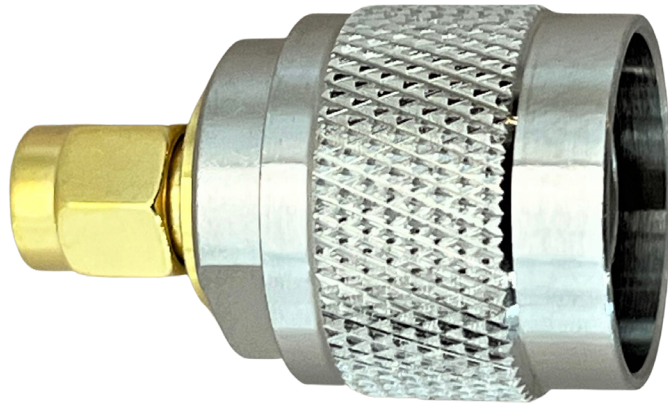
N-Male to SMA-Male Adapter

by WAVEFORM

SKU: ADT-NM-SMAM

Main Features:

- N-Male to SMA-Male connector
- 0-6000 MHz
- 50 Ω



Section Description	Material	Plating
N Body	Brass	Nickel
SMA Body	Brass	Gold/Nickel
Inner Conductor	Phosphor Bronze	Gold/Silver
Gasket	Silicone Rubber	
Dielectric	PTFE	

Specifications:

Electrical:

Input Impedance	50 Ω
Frequency Range	0 - 6000 MHz
VSWR	≤ 1.3
Insertion Loss (Typical)	.15 dB @ 6000 MHz

Mechanical:

Connector Length	31.8 mm
Connector A Type	N-Male
Connector A Diameter	20.3 mm
Connector B Type	SMA-Male
Connector B Diameter	7.9 mm
Net Weight	45 g

Environmental:

Burial Rated?	No
UV Rated?	Yes
Operating Temperature	-55 to +150 deg C



WAVEFORM

3411 W. Lake Center Drive,
Santa Ana, CA 92704

www.waveform.com
1-800-761-3041