

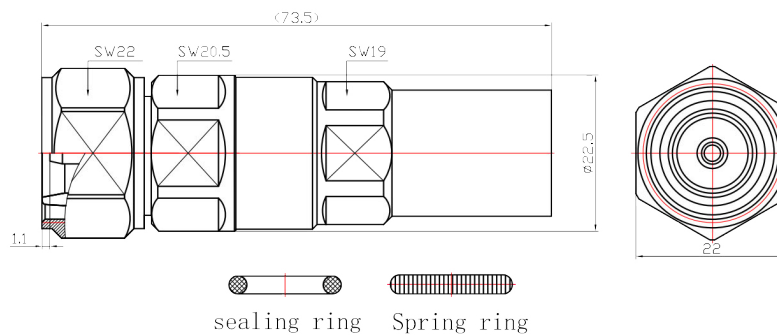
4.3-10-Male 1/2 inch Corrugated Coax Cable Crimp

by WAVEFORM

SKU: RS-AL4RPV-50-4310M-CRIMP

Main Features:

- 4.3-10-Male Connector
- DC - 3000 MHz (3 GHz)
- Captive Solderless Contact Pin
- 50 Ω Impedance
- Compatible with Commscope HL4RP-50, AL4RPV-50, and LDF4-50 Coax Cables
- Comparable to the CommScope L4HM-D Coax Cable Crimp



Specifications:

Electrical:

Input Impedance	50 Ω
Frequency Range	DC - 3000 MHz
VSWR	≤ 1.20 @ 3 GHz
PIM (IM3)	≤ -160 dBc @ +43dBm*2
Voltage (Withstand)	≥ 1000 V rms
Insertion Loss	≤ 0.05 dB (0-3 GHz)
Contact Resistance	≤ 2.0 m Ω (center) ≤ 2.0 m Ω (outer)
Insulation Resistance	≥ 5000 M Ω

Mechanical:

Connector Type	4.3-10-Male
Connector Diam.	22 mm
Crimp Angle	Straight
Crimp Length	73.5 mm
Contact Attachments	Captive (Inner) Clamp (Outer)
Net Weight	0.1 kg (0.22 lbs)

Components:

Description	Material	Plating
Body	Brass	Cu\EpCuSnZn
Contact Pin	Bronze	Cu\Ep.Ag
Dielectric	PTFE	
Crimping Suite	Brass	Cu\EpCuSnZn
Metal Spring	Chromium	
O-Ring Sealing	Silastic	

Environmental:

Operating Temp.	-40 to +125 deg C
ROHS Compliant?	Yes



WAVEFORM

3411 W. Lake Center Drive,
Santa Ana, CA 92704

www.waveform.com
1-800-761-3041