

Specifications:

Frequency Support

Multiple variations of the product are available with different frequency support.

Model:
G32-2/4/5/12/13

BAND	NAME	DOWNLINK		UPLINK	
2	1900 PCS	1930	1990	1850	1910
4	AWS-1	2110	2155	1710	1755
5	850	869	894	824	849
12	700 a	729	746	699	716
13	700 c	746	756	777	787

Gain Up to 100 dB system gain

Model:
G32-1/3/5/7/8/20

BAND	NAME	DOWNLINK		UPLINK	
1	2100	2110	2170	1920	1980
3	1800+	1805	1880	1710	1785
5	850	869	894	824	849
7	2600	2620	2690	2500	2570
8	900	925	960	880	915
20	800 DD	791	821	832	862

Gain Up to 100 dB system gain

Dimensions

LENGTH	WIDTH	HEIGHT	WEIGHT
272.5 mm	96.5 mm	43.5 mm	850 g

Power (max)

DOWNLINK TX	UPLINK TX
10 dBm/5 MHz (16 dBm per band)	24 dBm per band

Bluetooth (LE Ver 4.2)

FREQUENCY	POWER
2042 – 2480 MHz	0 dBm

Environmental

Operating Temp: 0 - 65°C

Relative Humidity: 95%

Antenna Connectors

SMA-Female

Certifications

(All variants)

3GPP TS 25.143 Rel.10 BQB (Bluetooth)

3GPP TS 36.143 Rel.10 NEMA-4

RoHS 2

(G32-2/4/5/12/13 variants only)

FCC CSA C22.2#62368-1

ISED UL 50E, UL 60950-22

UL 62368-1:2014 CSA C22.2#60950-22

(G32-1/3/5/7/8/20 variants only)

IEC 62368-1:2014 EN 301 908-1 v11.1.1

EN 301 489-1 v2.1.1 EN 301 908 v11.1.2

EN 301 489-17 v3.1.1 EN 301 908 v11.1.2

EN 301 489-50 v2.2.0 EN 300 328 v2.1.1

EN 62311 (2008)

Regulation (EC) 1275/2008 (Standby and Off mode)

Regulation (EC) 278/2009 (External Power Supply)

User Interface

Cel-Fi GO+ Smart Signal Booster features an LED on the top face to indicate the unit's state:

LED	MEANING
Solid GREEN	The unit is working properly and boosting properly.
Blinking GREEN	Unit is scanning for networks to boost.
Blinking RED	The unit is in an error condition. Use the Cel-Fi WAVE app to check the error code meaning and remedy.
Solid RED	The unit has a hardware error and is not booting up normally.

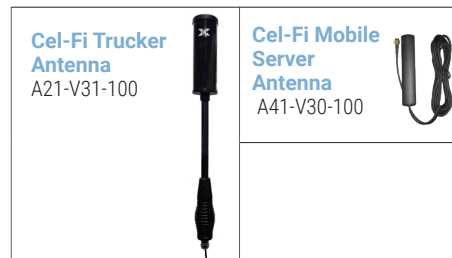
*NOTE: In mobile usage, it is normal for the **Cel-Fi GO+ Smart Signal Booster** to fluctuate between scanning and boosting. The **Cel-Fi GO+ Smart Signal Booster** automatically adjusts its boost behavior based on available signal.*

Troubleshooting

ISSUE	MEANING	ACTION
Continual Blinking GREEN	Unit is operational, but not attaching to a network to boost.	<ul style="list-style-type: none"> Make sure both antennas are connected properly and are appropriate for the desired frequencies to boost. Make sure the selected operator to relay is available at your location. This can be checked with the Cel-Fi WAVE application. If the service is not available, it cannot be boosted.
Solid RED LED	Unit is not operational.	<ul style="list-style-type: none"> Unplug and reinsert power. If restart has no effect, contact vendor for remedy.

Antenna and Mount Options:

Review the latest authorized antennas at www.cel-fi.com/antennas

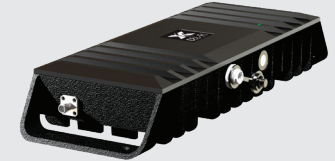


Cel-Fi GO+ RV/Trucker Kit Quick Start Guide

Smart Signal Booster™

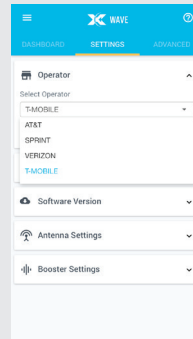
Basic Functionality

The Cel-Fi GO+ Smart Signal Booster Smart Signal Booster is designed to improve cellular coverage in a building, remote area, or vehicle. Cel-Fi GO+ connects to an external Donor Antenna to draw in a cellular signal from the macro network, and redistribute signal via the Server Antenna.



Cel-Fi WAVE App

The Cel-Fi WAVE app provides a User Interface to Cel-Fi systems. The app's dashboard shows the system "Boost" value that is a numeric representation mapped to the amount of signal gain the system is providing. Higher is better, with nine (9) being the highest value. Cel-Fi WAVE functions as the registration and management application that allows users to setup antenna, modes, and carriers, and is available through either the **Google Play Store** or **Apple App Store**.



Cel-Fi GO+ is configured to automatically select the best cellular band to boost.

- Configure the system's preferences using the Cel-Fi WAVE app.
- Change carrier
- Change mode (Stationary or Mobile)

NEMA 4 Rating

The Cel-Fi GO+ is NEMA 4 rated, and can be used both indoors and outdoors. The NEMA 4 rating provides the following advantages:

- A degree of protection against ingress of solid foreign objects (falling dirt and windblown dust)
- A degree of protection from the ingress of water (rain, sleet, snow, splashing water, and hose directed water)
- Equipment will be undamaged by the external formation of ice on the enclosure

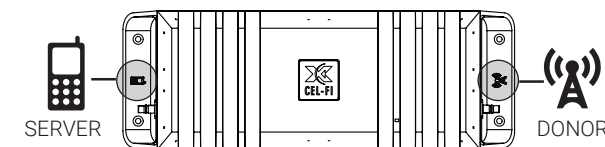
For more information, visit: www.cel-fi.com



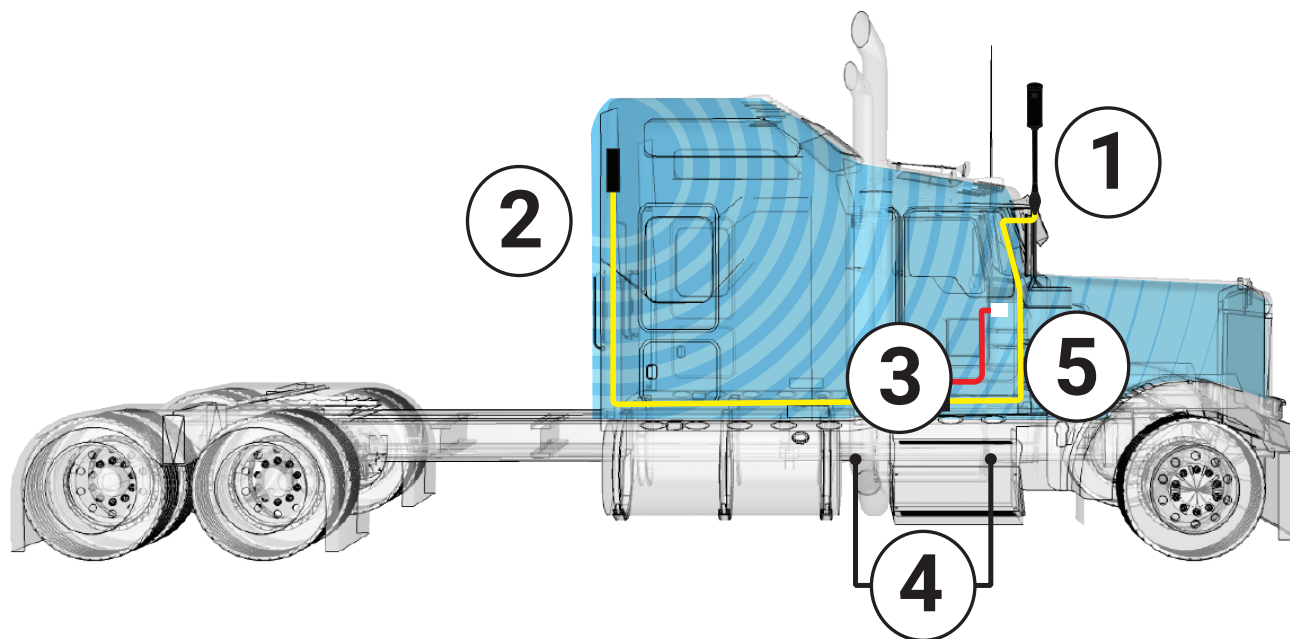
Cel-Fi GO+ Smart Signal Booster Installation

Before You Begin

Cel-Fi GO+ Smart Signal Booster has a Donor Antenna Port and a Server Antenna Port. They are marked on the device with icons (see illustration). It is critical that the Donor and Server antennas are connected to the correct port. **IMPORTANT: Best to make sure all cable lengths support the intended mounting location BEFORE permanent mounting.**



- ① Install Donor Antenna
- ② Install Server Antenna
- ③ Mount Cel-Fi GO+
- ④ Connect Donor & Server Antennas to the Cel-Fi GO+
- ⑤ An AC or 12V Power Source
- ⑥ Activate & Setup with Cel-Fi WAVE



Point & Optimize Antenna

For mobile (non-stationary) applications, Mobile Mode should be selected in the **Cel-Fi WAVE App**.



Install Tips for Donor Antenna

- Install antenna at least 12 inches from any other antennas for best performance
- Antenna should be free of obstructions
- Antenna should be away from windows (including sunroof or other openings)
- Install 8 inches away from any people
- For best performance make sure there is 50 cm of metal around the base of the antenna

Install Tips for Server Antenna

- For best results, install Donor and Server Antennas such that there is substantial material between the antennas. This will create isolation and allow the system to perform at higher gain without oscillation or feedback
- Keep Donor and Service Antennas separated/isolated from each other for best performance
- Do not use cable splitters for Donor Antennas
- If using directional antennas, do not point them at each other
- Avoid pointing the Donor antenna across the coverage field, if possible
- Follow the installation instructions for your chosen antennas
- The power supply is not NEMA 4 rated

Tips for Mobile Mounting:

- Location should have airflow (for cooling) and be secure from contact with external objects
- Make sure the unit is within cable range of the 12V power supply on your vehicle

Change Between Modes and Carriers

IMPORTANT: Cel-Fi GO+ Smart Signal Booster ships with a mode and operator selected, but some versions can be changed via Cel-Fi WAVE. It is critical that the booster's mode match the application, for both regulatory and performance reasons. If the booster is in motion, it should be set to Mobile mode. If the booster is stationary, it should be set to Stationary mode.

Change Modes Between Mobile (65/70 dB) or Stationary (100 dB)

1. Open Cel-Fi WAVE application
2. Go to settings tab
3. Select Booster Setting
4. Switch between mobile and stationary

Change Carrier /Operator

1. Open Cel-Fi WAVE application
2. Go to settings tab
3. Select Operator
4. Switch between mobile network operators

This guide has been modified from its original form to better align with the Cel-Fi GO+ RV/Trucker Kit.