

CEL-FI GO G43

In-Building Cellular Coverage Solution

MODEL NUMBERS: G43-BBBE

Designed to offer retailers, convenience stores, quick serve restaurants, and other small businesses a fast way to solving in-building cellular coverage challenges, the CEL-FI GO G43 is a multi-operator cellular coverage solution that ensures reliable in-building 4G and future 5G NR connectivity for up to three Mobile Network Operator (MNO) signals. In addition to offering the ease of installation that CEL-FI GO systems are known for, GO G43 features the latest Nextivity proprietary 4th generation IntelliBoost technology to deliver the same multi-operator, channelized signal boosting performance as the flagship CEL-FI QUATRA line of products. The system also offers remote system monitoring and management via the Nextivity WAVE Portal.



CEL-FI GO G43

Features and benefits include:

- Latest 4th generation Nextivity proprietary IntelliBoost chip delivers channelized coverage for multi-operator signals
- Ready to extend coverage for future 5G networks
- Industry-leading signal gain up to 100 dB to overcome coverage challenges where no other solution can
- Automatic gain control (AGC) feature automatically adjusts the signal strength to prevent interference with the MNO network
- System monitoring and management with WAVE Portal

Specifications

Frequency Bands	2/4/5/12/13/25
Relay Channel Bandwidths (MHz)	5/10/15/20
Networks	4G/5G
Network Protocols	LTE/DSS/NR*
Antenna Technology	SISO
Network Selection	Automatically best available (WAVE Portal for manual setting)
Duplex Modes	FDD
# of Relay Bands (max.)	6
Relay Bandwidth per Donor Port (MHz max.)	20 + 20
Output Downlink Power (All Bands) (dBm max. per band per port)	17
Output Downlink Power (All Bands) (dBm max. per channel per port)	12
Output Uplink Power (Bands 2/4/25) (dBm max.)	22
Output Uplink Power (Bands 5/12/13) (dBm max.)	20
System Gain (dBm max.)	100
Enterprise-Grade Echo Cancellation (dB min.)	30
Return Loss (dB typ.)	-8
Impedance (Ω nom.)	50

* Available with software update in 2024.

Bands

Frequency Bands	Downlink (MHz)	Uplink (MHz)	Max. Relay BW (MHz)
2	1930-1990	1850-1910	20
4	2110-2155	1710-1755	20
5	869-894	824-849	15
12	729-746	699-716	10
13	746-756	777-787	10
25	1930-1995	1850-1915	20

Interface

Donor RF Connector	3x N-type (f)
Server RF Connector	3x N-type (f) (1x N-type (f) terminated)
DC Input	Power DIN, 4 Pin
Power & System Status	3x Bi-color LED (Green/Red)
LAN Status	1x LED (Green)
Factory Debug only	3x USB 2.0 Micro-B
System Management & SW Updates	RJ45 for WAVE Portal for Desktop

Compliance

3GPP	TS 25.143 Rel 13
	3GPP TS 36.143 Rel 13
FCC	Compliant
	Part 15, Part 20, Part 22, Part 24, Part 27
RoHS3	EN 63000: 2018
UL	Yes
ISED	Yes

Power Supply

Power Consumption (W max.)	102
Input Voltage (VDC)	11.4 to 12.6
Input Current (A max.)	8.5
Power Supply Plug	Type A (US)
Power Supply AC Cable	18 AWG
Power Supply Cable Length (ft (m))	6 (1.85)
Power Supply DC Cable	16 AWG
Power Supply DC Cable Length (ft (m))	3.3 (1)

Environmental

Operating Temperature (°F (°C))	32 to 104 (0 to 40)
Storage Temperature (°F (°C))	-31 to 158 (-35 to 70)
Heat Dissipation	Passive Convection
Surface Temperature (°F (°C) max. at ambient)	111.2 (44)
Non-condensing Humidity (%)	0 to 95
Ingress Protection Rating	IPX0

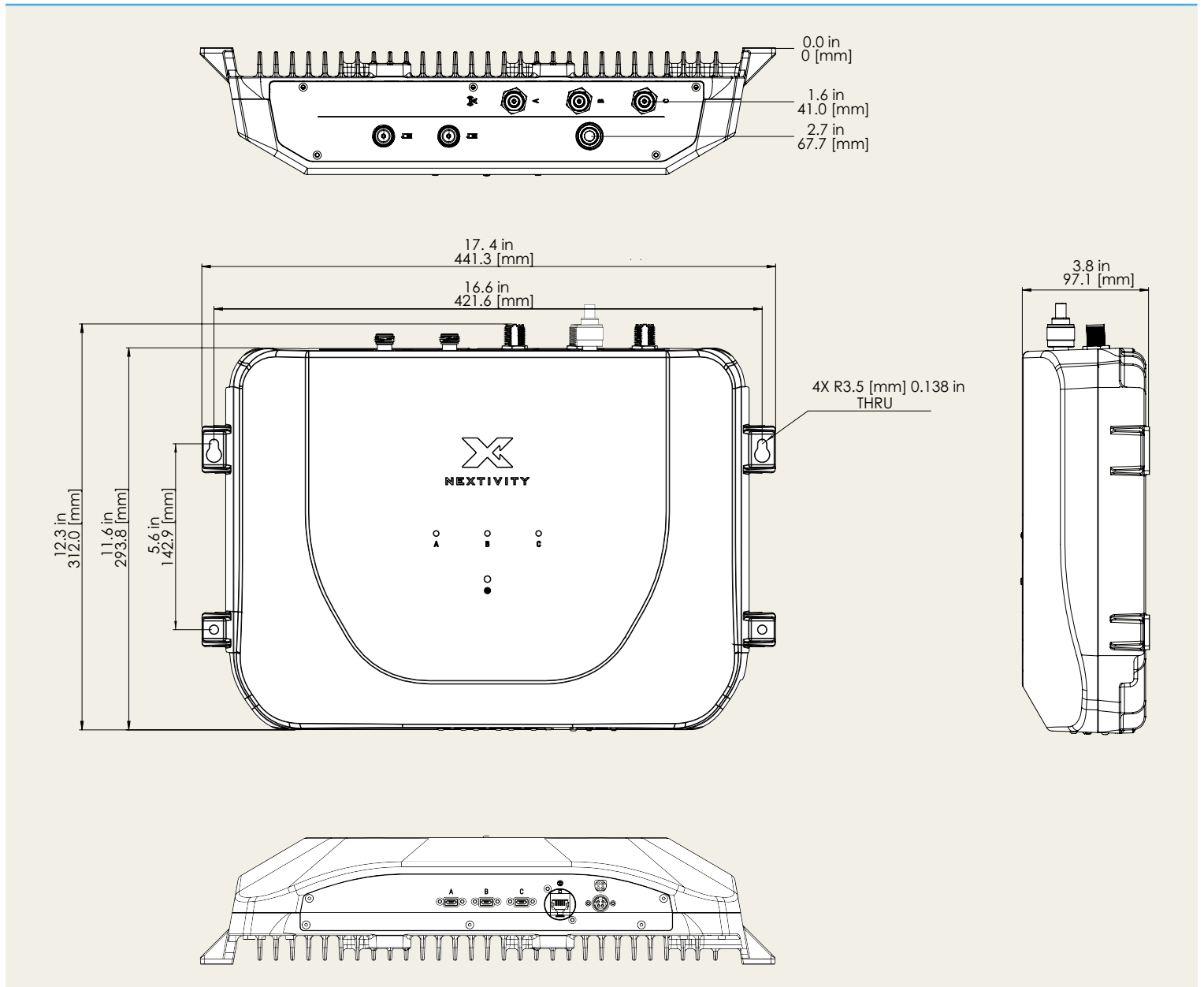
Mechanical

Main Unit Dimensions (in (mm))	17.4 x 12.3 x 3.8 (441 x 312 x 97)
Main Unit Weight (lbs (kg))	15.4 (7.0)

Ordering Information

MODEL NUMBER	G43-BBBE
Region	AMER
Frequency Bands	2/4/5/12/13/25
Box Contents	Main Unit
	1x AC Adapter (290N156-001)
	4x Mounting Screws
	4x Drywall Anchors
	1x AC Cable (249N001-001)
Shipping Dimensions (in (mm))	23.5 x 14.8 x 6.8 (597 x 376 x 172)
Shipping Weight (lbs (kg))	19.5 (8.85)
Harmonized Tariff Schedule (HTS)	8517.18.00.50
Export Control Classification Number (ECCN)	EAR99

CEL-FI GO G43 Outline



Product specifications are subject to change without prior notification.



nextivityinc.com/products/cel-fi-go-g43

16550 West Bernardo Drive, Bldg. 5, Suite 550 | San Diego, CA 92127 | www.nextivityinc.com

Copyright © 2023 by Nextivity, Inc., U.S. All rights reserved. The Nextivity and CEL-FI logos are registered trademarks of Nextivity, Inc. All other trademarks or registered trademarks listed belong to their respective owners. Rev23-1016