

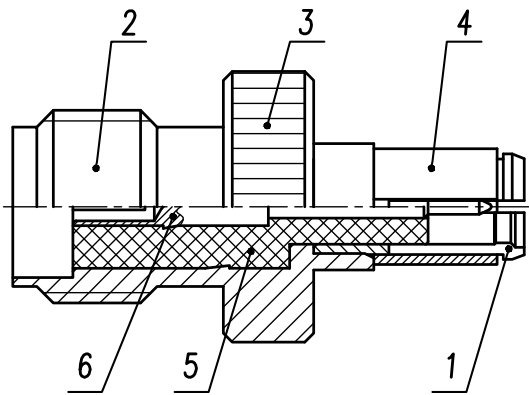
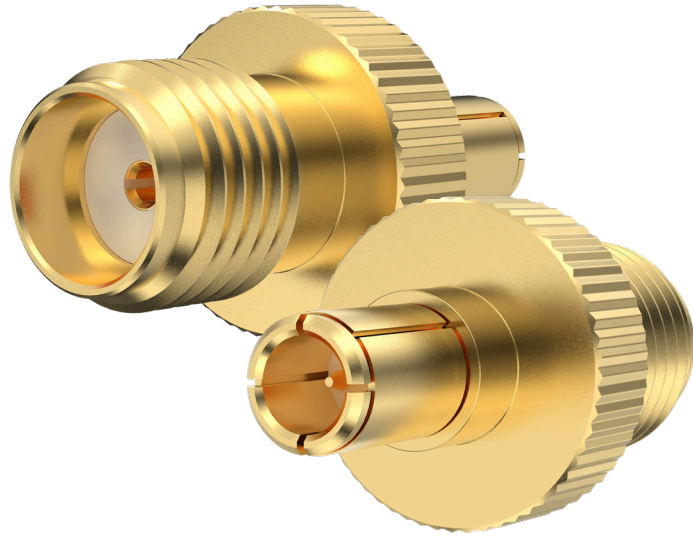
TS9-Male to SMA-Female Adapter (2-pack)

by WAVEFORM

SKU: ADT-SF-TM-2

Features:

- 2x TS9-Male to SMA-Female Adapters
- 0 MHz to 4500 MHz
- 50 Ω



#	Description	Material	Plating
1	TS9-Male Body	Copper Alloy (C3604)	Gold
2	SMA-Female Body	Copper Alloy (C3604)	Gold
3	Adapter Body	Copper Alloy (C3604)	Gold
4	Sleeve	Copper Alloy (C3604)	Gold
5	Dielectric	PTFE	N/A
6	Inner Conductor	Copper Alloy (C3604)	Gold

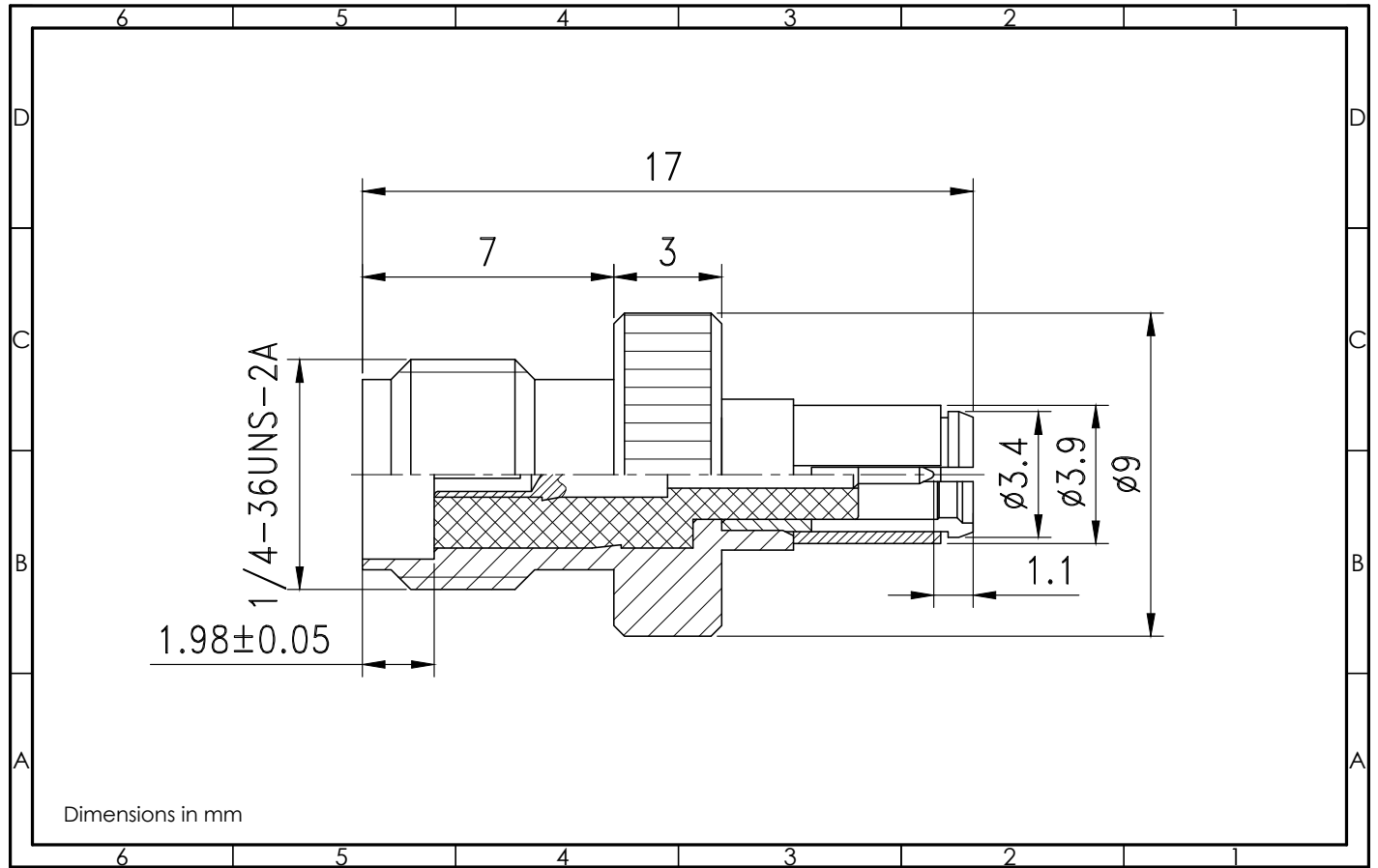
Specifications:

Electrical:		Mechanical:		Environmental:	
Input Impedance	50 Ω	Length	17.0 mm (0.67 in)	Burial Rated?	No
Frequency Range	0 - 4500 MHz	Connector A	Type TS9-Male	UV Rated?	Yes
VSWR	≤ 1.2	Connector A	Diameter 3.9 mm (0.15 in)	Operating Temperature	-55 to +155 deg C (-67 to +311 deg F)
Capacitance	95 pF/m	Connector B	Type SMA-Female		
Shielding	90%	Connector B	Diameter 7.0 mm (0.28 in)		
Insertion Loss (Typical)	≤ 0.13 dB (0-3000 MHz) ≤ 0.25 dB (3000-4500 MHz)	Net Weight	2.6 g (0.1 oz) [Each] 5.2 g (0.2 oz) [2-Pack]		
Voltage	300 V max (Working) 1000 V rms (Withstand)				
Contact Resist.	≤ 4.0 m Ω (Center) ≤ 2.5 m Ω (Outer)				
Insulation Resist.	≥ 5000 M Ω				

TS9-Male to SMA-Female Adapter (2-pack)

by WAVEFORM

Dimensions:



WAVEFORM

3411 W. Lake Center Drive,
Santa Ana, CA 92704

www.waveform.com
1-800-761-3041