

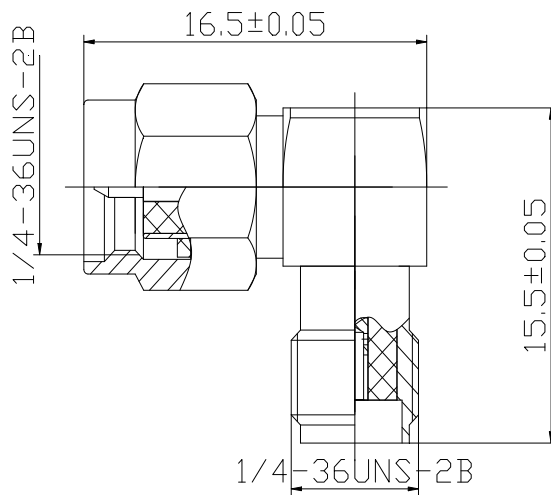
# Right-Angle SMA-Male to SMA-Female Adapter

by WAVEFORM

**SKU: ADT-RA-SM-SF**

## Main Features:

- Right-Angle SMA-Male to SMA-Female Connector
- 0-12.4 GHz
- 50  $\Omega$



Section Description	Material	Plating
Body	Brass	Gold
Inner Conductor	Phosphor Bronze	Gold
Gasket	Silicone Rubber	
Dielectric	PTFE	

## Specifications:

### Electrical:

Input Impedance	50 $\Omega$
Frequency Range	0 - 12.4 GHz
VSWR	$\leq 1.2$
Voltage	335 V max (Working) 500 V rms (Withstand)
Power (Average)	500 W (2.0 GHz) 100 W (12.4 GHz)
Insertion Loss (Typical)	$\leq 0.15$ dB
Contact Resistance	$\leq 3$ m $\Omega$ (center) $\leq 2$ m $\Omega$ (outer)
Insulation Resistance	$\geq 5000$ M $\Omega$

### Mechanical:

Connector Angle	Right-Angle
Connector A Type	SMA-Male
Connector A Diam.	7.9 mm (0.31 in)
Connector B Type	SMA-Female
Connector B Diam.	7.0 mm (0.28 in)
Dimensions	16.5 x 15.5 mm (0.65 x 0.61 in)
Net Weight	5.0 g (0.18 oz)

### Environmental:

Burial Rated?	No
UV Rated?	Yes
Operating Temperature	-40 to +85 deg C (-40 to 185 deg F)



WAVEFORM

3411 W. Lake Center Drive,  
Santa Ana, CA 92704

www.waveform.com  
1-800-761-3041