

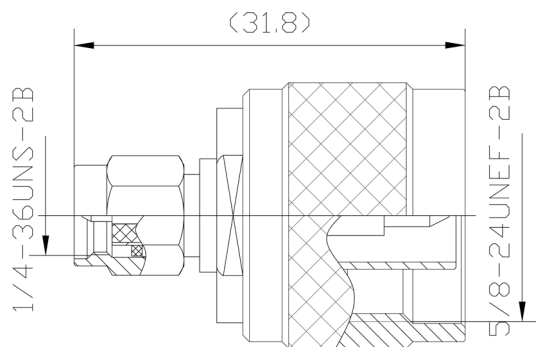
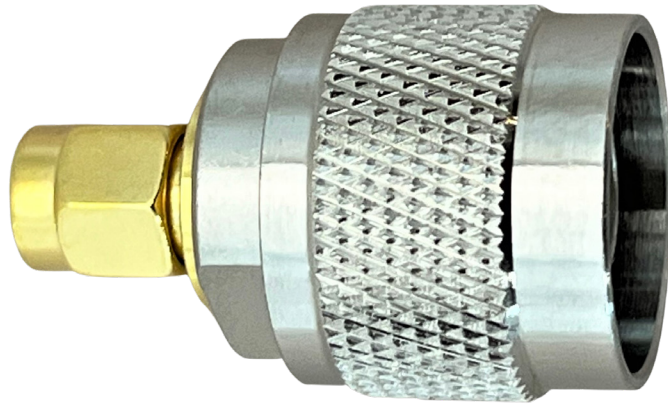
N-Male to SMA-Male Adapter

by WAVEFORM

SKU: ADT-NM-SMAM

Main Features:

- N-Male to SMA-Male connector
- 0-6000 MHz
- 50 Ω



Section Description	Material	Plating
N Body	Brass	Nickel
SMA Body	Brass	Gold/Nickel
Inner Conductor	Phosphor Bronze	Gold/Silver
Gasket	Silicone Rubber	
Dielectric	PTFE	

Specifications:

Electrical:

Input Impedance	50 Ω
Frequency Range	0 - 6000 MHz
VSWR	≤ 1.3
Insertion Loss (Typical)	.15 dB @ 6000 MHz

Mechanical:

Connector Length	31.8 mm
Connector A Type	N-Male
Connector A Diameter	20.3 mm
Connector B Type	SMA-Male
Connector B Diameter	7.9 mm
Net Weight	45 g

Environmental:

Burial Rated?	No
UV Rated?	Yes
Operating Temperature	-55 to +150 deg C



WAVEFORM

3411 W. Lake Center Drive,
Santa Ana, CA 92704

www.waveform.com
1-800-761-3041