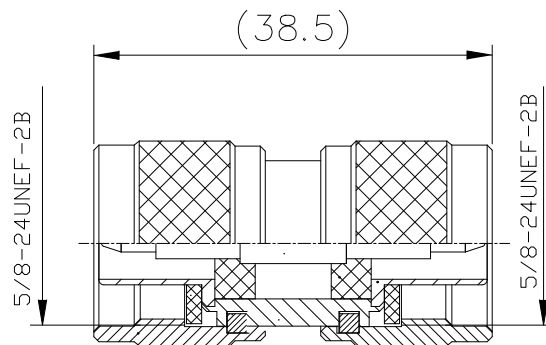
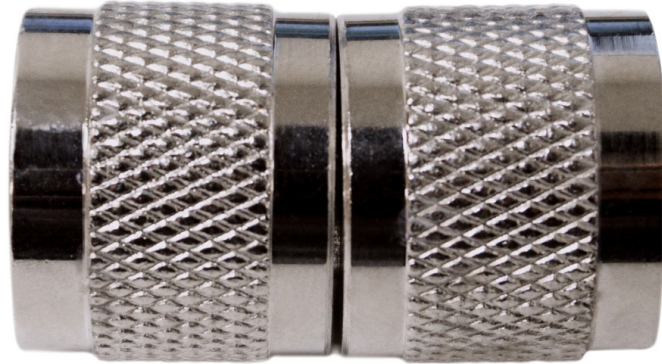


N-Male to N-Male "Barrel" Adapter

by WAVEFORM

SKU: ADT-NM-NM



Main Features:

- N-Male to N-Male Adapter
- 0-6000 MHz
- 50 Ω
- 20.3 mm diam. adapter

Specifications:

Electrical:

Input Impedance	50 Ω
Frequency Range	0 - 6000 MHz
VSWR	≤ 1.2 (DC - 3000 MHz) ≤ 1.35 (3000 - 6000 MHz)
Voltage (Withstand)	500 V rms
Power (Average)	3 kW
Insertion Loss (Typical)	< 0.45 dB @ 6000 MHz
Contact Resistance	≤ 1 m Ω (center) ≤ 1 m Ω (outer)
Insulation Resistance	≥ 5000 M Ω

Environmental:

Operating Temperature	-65 to +165 deg C
-----------------------	-------------------

Mechanical:

Type	N-Male
Angle	Straight
Diameter	20.3 mm
Length	38.5 mm
Net Weight	40 g

Components:

Description	Material	Plating
Body	Brass	Nickel
Resilient Contact	Beryllium Copper	Gold
Socket Contact	Beryllium / Tin Bronze	Gold
Crimping Suite	Copper Alloy	Nickel
Inner Conductor	Brass	Gold/Silver
Gasket	Silicone Rubber	
Dielectric	PTFE	



WAVEFORM

3411 W. Lake Center Drive,
Santa Ana, CA 92704

www.waveform.com
1-800-761-3041