

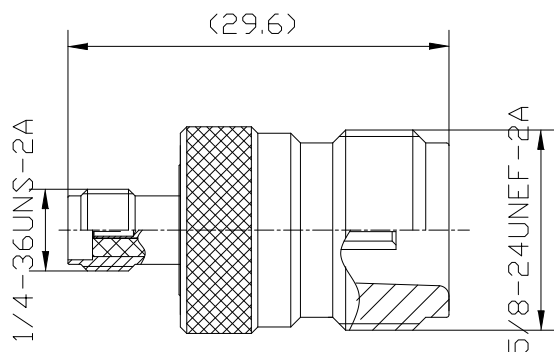
# N-Female to SMA-Female Adapter

by WAVEFORM

SKU: ADT-NF-SMAF

## Main Features:

- N-Female to SMA-Female connector
- 0-6000 MHz
- 50  $\Omega$



Section Description	Material	Plating
N Body	Brass	Gold/Nickel
SMA Body	Brass	Gold/Nickel
Inner Conductor	Phosphor Bronze	Gold/Silver
Coupling Nut	Brass	Nickel
Gasket	Silicone Rubber	
Dielectric	PTFE	

## Specifications:

### Electrical:

Input Impedance	50 $\Omega$
Frequency Range	0 - 6000 MHz
VSWR	$\leq 1.2$ (Straight) $\leq 1.3$ (Right Angle)
Insertion Loss (Typical)	0.15 dB @ 6000 MHz
Voltage	1500V max (Working) 2500V rms (Withstand)
Contact Resistance	$\leq 1$ m $\Omega$ (Center) $\leq 1$ m $\Omega$ (Outer)
Insulation Resistance	$\geq 5000$ M $\Omega$

### Mechanical:

Connector Length	29.6 mm
Connector A Type	N-Female
Connector A Diameter	15.7 mm
Connector B Type	SMA-Female
Connector B Diameter	7.0 mm
Net Weight	24.0 g

### Environmental:

Burial Rated?	No
UV Rated?	Yes
Operating Temperature	-55 to +155 deg C



WAVEFORM

3411 W. Lake Center Drive,  
Santa Ana, CA 92704

www.waveform.com  
1-800-761-3041