

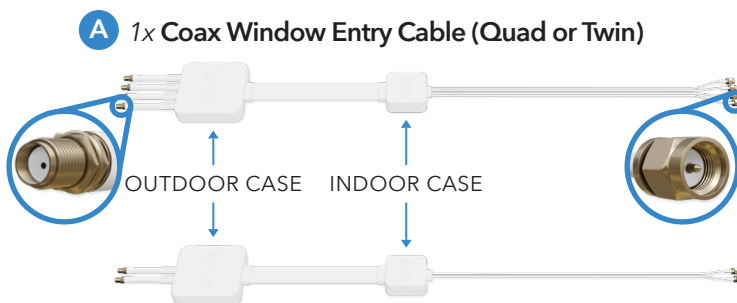
Coax Window Entry Cable (Twin & Quad)

Designed by WAVEFORM in California

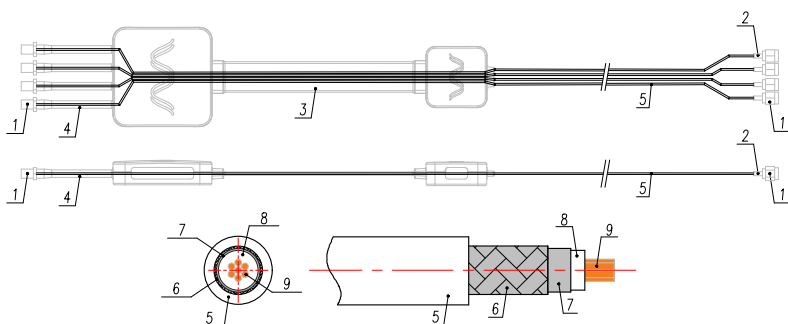
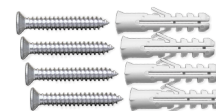
SKU: 113WP-SFM-x

Features:

- Quad-cable or Twin-cable variants.
- Ultra-thin 300 mm (12 in) section for placement in a window.
- Adjustable cable directions
- 0 MHz to 6000 MHz



B 4x Wall Screws & Anchors



#	Description	Material
1	SMA-Bodies	Gold-Plated Copper
2	Heatshrink	PE & EVA
3	Cable Cover (Flat)	Silicone 70A
4	Cable Cover (Outdoor)	TPE
5	Cable Jacket (Indiv.)	FEP
6	Outer Conductor (#1)	Tinned Copper Braid
7	Outer Conductor (#2)	Bonded Aluminum Foil
8	Dielectric	FEP
9	Inner Conductor	Silver-Plated Copper

Specifications:

Electrical:

Input Impedance	50 Ω
Frequency Range	0 - 6000 MHz
VSWR	≤ 2.0
Capacitance	98.0 pF/m
Velocity	70 %
Shielding	> 100 dB
Voltage	300 V max (Working) 1500 V rms (Withstand)
Contact Resist. (Cables)	≤ 571 Ω/km (Center) ≤ 258 Ω/km (Outer)
Contact Resist. (Connectors)	≤ 3 mΩ (Center) ≤ 2 mΩ (Outer)
Insulation Resist.	≥ 5000 MΩ/km

RF Attenuation:

600 MHz	0.84 dB
900 MHz	0.95 dB
1800 MHz	1.3 dB
2100 MHz	1.4 dB
2500 MHz	1.5 dB
3000 MHz	1.7 dB
4000 MHz	2.1 dB
5000 MHz	2.5 dB
6000 MHz	2.8 dB

Mechanical (Cables):

Cable (Whole)	Jacket Color	White (P179-1C)
	Type	Low-loss RG1.13
	Length	60 cm (2 ft)
Outdoor Cables	Conn. Type	SMA-Female
	Conn. Diam.	7.0 mm (0.28 in)
	Dimensions	50.0 x Ø 5.0 mm (2.0 x Ø 0.2 in)
Center Cable	Bending Radius	40.0 mm (1.6 in) [Repeat] 80.0 mm (3.1 in) [Install]
	Dimensions	130 x 20 x 2.3 mm (5.1 x 0.8 x 0.09 in)
Indoor Cables	Conn. Type	SMA-Male
	Conn. Diam.	7.9 mm (0.31 in)
	Dimensions	300 x Ø 1.2 mm (12 x Ø 0.05 in)
Net Weight	Bending Radius	8.0 mm (0.3 in) [Repeat] 6.0 mm (0.2 in) [Install]
	Net Weight	100 g (3.5 oz) [Quad] 80 g (2.8 oz) [Twin]

Mechanical (Cases & Accessories):

Cases	Material	ASA
	Outdoor Case Dims.	65 x 65 x 15 mm (2.6 x 2.6 x 0.6 in)
	Indoor Case Dims.	40 x 40 x 15 mm (1.6 x 1.6 x 0.6 in)
Covers	Material	TPE
Wall Screws	Material	304 Stainless Steel
	Spec.	Size-#7 x 2.54 cm (1.0 in)
Wall Anchors	Material	PP
	Dims.	30 x Ø 6.0 mm (1.2 x Ø 0.24 in)

Environmental:

Protection Class	IP65
Impact Rating	IK05
Burial Rated?	No
UV Rated?	Yes
Operating Temperature	-40 to +80 deg C (-40 to 176 deg F)



WAVEFORM

3411 W. Lake Center Drive,
Santa Ana, CA 92704

www.waveform.com
1-800-761-3041

Coax Window Entry Cable (Twin & Quad)

Designed by WAVEFORM in California

Dimensions:

