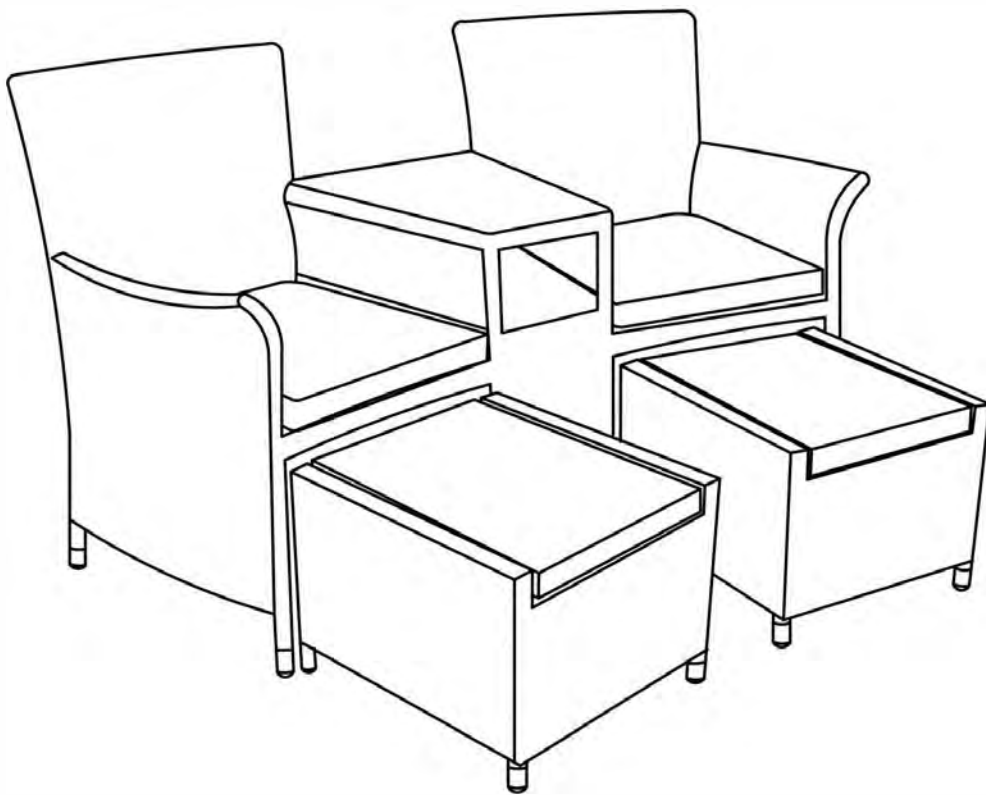


Product size:
Loveseat: W156*D75*H90cm
Footstool: W47*D51*H45cm



The intended use of this product is for domestic use only.

Important, please retain for future reference.

Read carefully.

Wentworth Fixed Companion Set with Pull-out Footstools Assembly Instructions

Before you start

This product doesn't need any assembly work.



Warnings

IMPORTANT, RETAIN FOR FUTURE REFERENCE READ CAREFULLY

See enclosed instructions for assembly, safety and care information.

Failure to follow the warnings could result in serious injury.

Handle heavy parts with care.

Ensure that this product is fully assembled as illustrated before use.

This product should only be used on firm, level ground.

Keep small parts out of reach of children.

This product is intended for **domestic use** only.

Ensure the product is always placed on level ground.

Furniture can be dangerous if incorrectly used. No liability will be accepted for damage or injury caused by incorrect use of this product.



Dos

When you are ready to start, make sure that you have the right tools, plenty of space and a clean, dry area for assembly.

Unwrap all packaging materials and place the components on a suitable surface to prevent scratching your product.

Check all contents are present prior to assembly as per the parts list provided. In the event of problems or missing parts, please contact the seller.

Check all screws and bolts are tightened and inspect regularly.

Cover furniture when not in use to add additional protection to your product.

Store all cushions indoors after use as they are not waterproof.

During severe weather conditions, including high winds, rain, hail, thunderstorms, extreme heat and cold temperatures, the product should be stored inside in a cool, dry place.

To best preserve the synthetic rattan, please use a protective cover when your furniture is not in use. We would also recommend using a gazebo or parasol over your furniture during the summer period and prolonged sunny spells. This will help prevent harmful UV rays from damaging and discolouring the material.

Ensure that the product is clean and dry before storage.

Clean your product with a sponge and warm soapy water then wipe with a clean, dry cloth.

Cushions should be cleaned following the care instruction on the label.

Where instructions as to the; storage, commissioning, installation, use and maintenance of the goods or (if there is none) good trade practice are not followed and a defect arises this will void the 12 month manufacturer's guarantee on the product.



Don'ts

Do not use scourers, abrasives, washing powders, chemical cleaners or any other substances containing abrasives since these substances can damage the product, including the glass panel.

To preserve the table top design do not place greasy / oily items directly onto the surface. Use place-mats to prevent spillages of food or drink.

Do not place very hot or very cold items on the glass surface unless adequately thick table-mats are used to prevent such items from coming into contact with the glass.

Do not use the table as a chopping surface.

Do not strike the table with hard or pointed items.

Do not sit or lean on the table.

Do not sit or lean onto the arms of this product.

Do not use power tools to construct this product.

Do not use this product if parts are missing, damaged or worn.


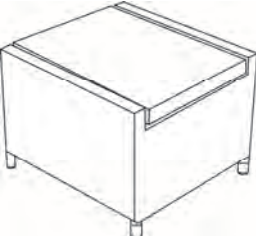
Do not stand on the product and do not use it as a ladder, as this could lead to it unbalancing and overturning.

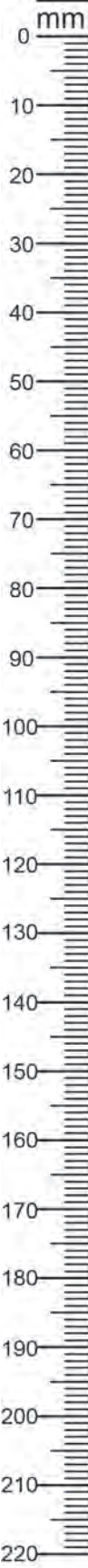
Never tilt the product during use.

Never drag furniture when moving it, always lift it.

Wentworth Fixed Companion Set with Pull-out Footstools Assembly Instructions

Member Parts (not actual size)

Member Parts List			
Part No.	Diagram	Name	Qty
A		Companion Bench (Loveseat)	1 PC
B		Footstool	2 PCS



Wentworth Fixed Companion Set with Pull-out Footstools Assembly Instructions

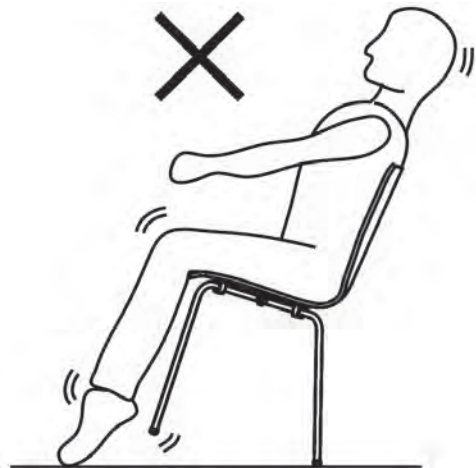
Use Instructions

For Storage:

Take out the cushions from the foot stool and place it on the companion bench.
Place the footstools under the seating of the companion bench.



Never tilt the product during use.
Ensure the product is always placed firmly
on the ground.



PLEASE KEEP THESE INSTRUCTIONS FOR FUTURE REFERENCE