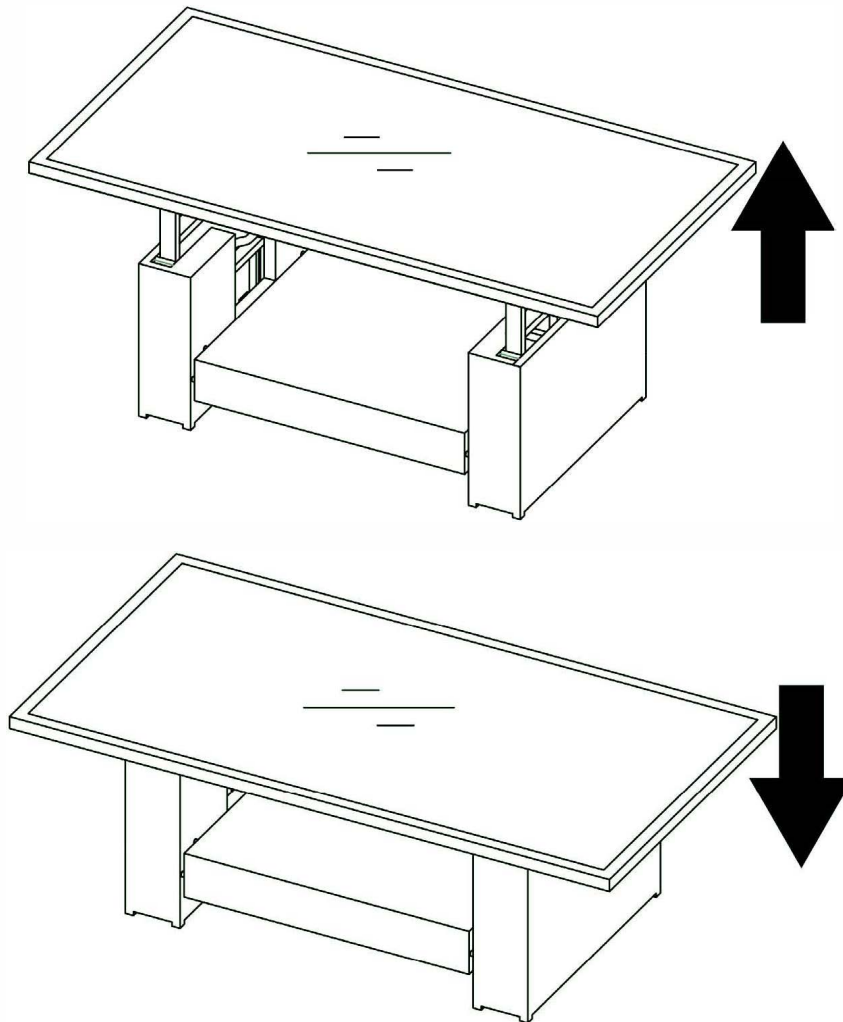


Product size:
W150*D80*H50/68cm



The intended use of this product is for domestic use only.

Important, please retain for future reference.

Read carefully.

Wentworth 150 x 80cm Rectangular Table Assembly Instructions

Before you start



Warnings

IMPORTANT, RETAIN FOR FUTURE REFERENCE READ CAREFULLY

See enclosed instructions for assembly, safety and care information.

Failure to follow the warnings could result in serious injury.

Handle heavy parts with care.

Ensure that this product is fully assembled as illustrated before use.

This product should only be used on firm, level ground.

Keep small parts out of reach of children.

This product is intended for **domestic use** only.

Ensure the product is always placed on level ground.

Furniture can be dangerous if incorrectly used. No liability will be accepted for damage or injury caused by incorrect use of this product.



Dos

When you are ready to start, make sure that you have the right tools, plenty of space and a clean, dry area for assembly.

Unwrap all packaging materials and place the components on a suitable surface to prevent scratching your product.

Check all contents are present prior to assembly as per the parts list provided. In the event of problems or missing parts, please contact the seller.

Check all screws and bolts are tightened and inspect regularly.

Cover furniture when not in use to add additional protection to your product.

During severe weather conditions, including high winds, rain, hail, thunderstorms, extreme heat and cold temperatures, the product should be stored inside in a cool, dry place.

To best preserve the synthetic rattan, please use a protective cover when your furniture is not in use. We would also recommend using a gazebo or parasol over your furniture during the summer period and prolonged sunny spells. This will help prevent harmful UV rays from damaging and discolouring the material.

Ensure that the product is clean and dry before storage.

Clean your product with a sponge and warm soapy water then wipe with a clean, dry cloth.

When cleaning glass panels use a damp cloth or leather with washing up liquid or soft soap if necessary

Where instructions as to the; storage, commissioning, installation, use and maintenance of the goods or (if there is none) good trade practice are not followed and a defect arises this will void the 12 month manufacturer's guarantee on the product.



Don'ts

Do not use scourers, abrasives, washing powders, chemical cleaners or any other substances containing abrasives since these substances can damage the product, including the glass panel.

To preserve the table top design do not place greasy / oily items directly onto the surface. Use place-mats to prevent spillages of food or drink.

Do not place very hot or very cold items on the glass surface unless adequately thick table-mats are used to prevent such items from coming into contact with the glass.

Do not use the table as a chopping surface.

Do not strike the table with hard or pointed items.

Do not sit or lean on the table.

Do not use power tools to construct this product.

Do not use this product if parts are missing, damaged or worn.

Do not stand or climb onto the product and do not use it as a ladder, as this could lead to it unbalancing and overturning.

Never drag furniture when moving it, always lift it.

Number of people required for assembly

Two people

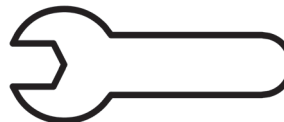


Time to assemble



50 Minutes

Tools required



Tips:

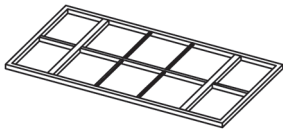
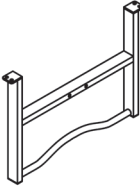
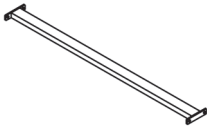
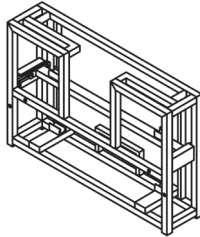
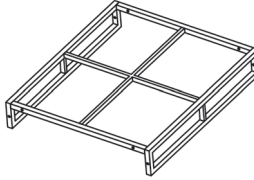
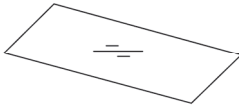




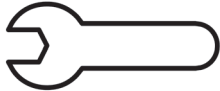
It is best not to fully tighten the nuts and bolts until they are all correctly located. Only carefully tighten them when you are satisfied with the alignment of all components.

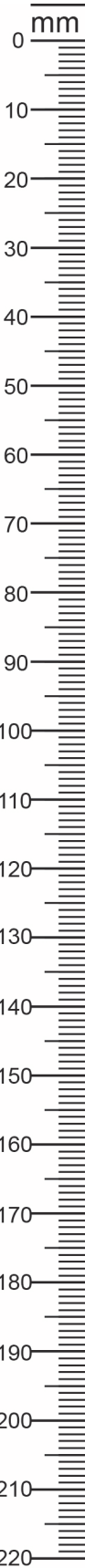
Be careful not to overtighten.

www.royalcraft.co.uk

Wentworth 150 x 80cm Rectangular Table Assembly Instructions

Components, fixtures & fittings (not actual size)

| Parts List | | | | | |
|------------|---|--------|----------|--|--------|
| Part No. | Diagram | Qty. | Part No. | Diagram | Qty. |
| A |  Table Top Frame | 1 PC | B |  Leg | 2 PCS |
| C |  Connecting Bar | 1 PC | D |  Bottom Base | 2 PCS |
| E |  Connecting Shelf | 2 PCS | F |  Glass Top | 1 PC |
| W20 |  M6*20mm Bolt | 12 PCS | W40 |  M6*40mm Bolt | 8 PCS |
| F2 |  Bolt Head Cap | 20 PCS | F3 |  Washer | 20 PCS |
| S1 |  Spanner | 1 PC | | | |



Wentworth 150 x 80cm Rectangular Table Assembly Instructions

Step by step assembly instructions

All Bolt Head Caps should not be attached before finally tightening all Bolts with Spanner.

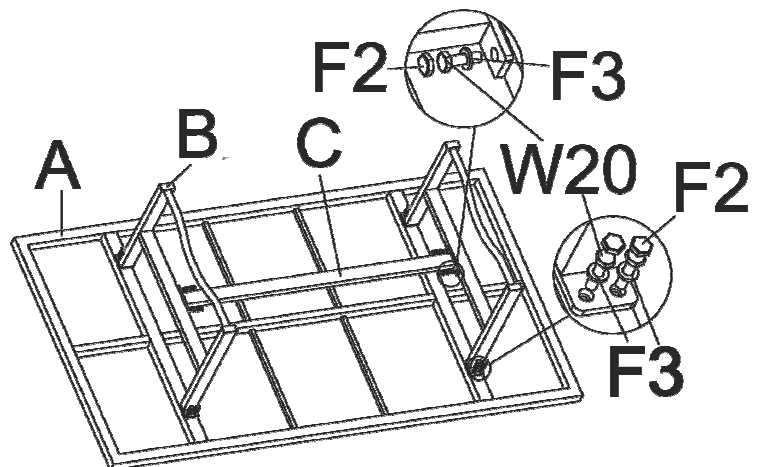
Step One

Open the packaging carefully. Leave the glass on the carton until the rest of the table is fully assembled.

With the help of another person, place the Table Top Frame (A) upside down on a soft, level surface.

Attach the Legs (B) to the Table Top Frame (A) using Washers (F3), Bolts (W20) and Bolt Head Caps (F2).

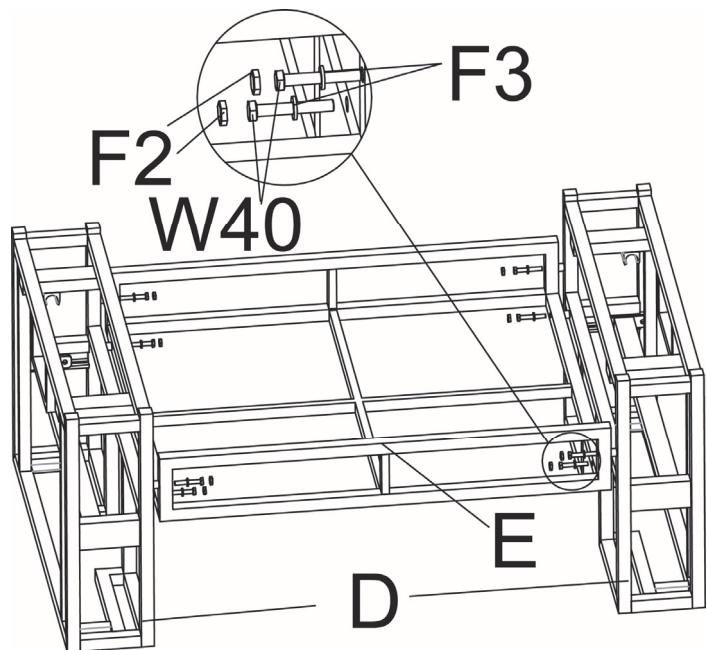
Attach the Connecting Bar (C) between the Legs (B) using Washers (F3), Bolts (W20) and Bolt Head Caps (F2).



Step Two

Attach the Connecting Shelf (E) Between the Bottom Bases (D) using Washers (F3), Bolts (W40) and Bolt Head Caps (F2).

Before attaching the Bolt Head Covers, tighten all bolts with Spanner (S1).



Wentworth 150 x 80cm Rectangular Table Assembly Instructions

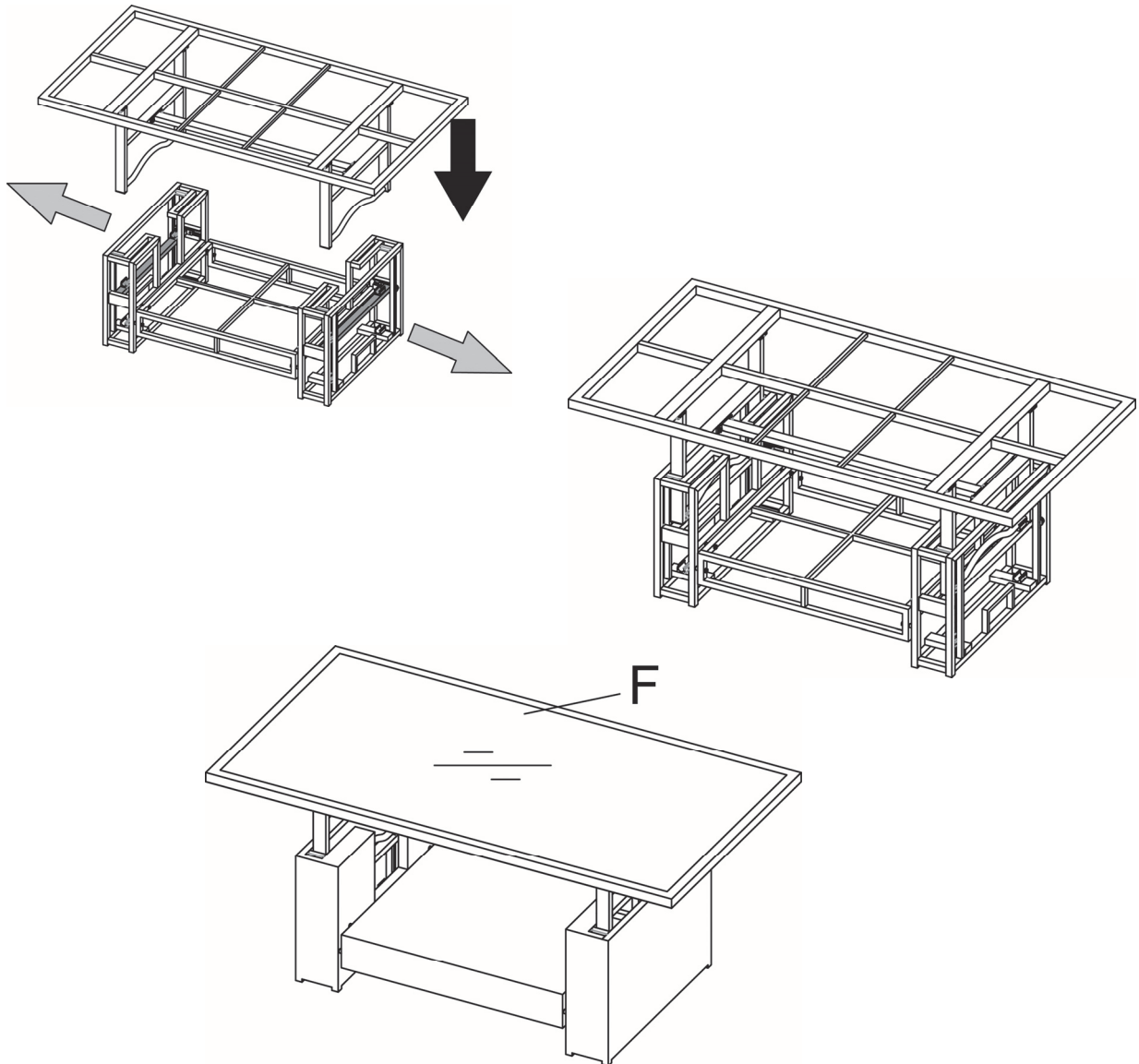
Step Three

There is a movable bar in the bottom base (D) that acts as a support bar when rising from a Coffee to Dining Table height. To use in the raised dining table function, let the movable supports at both ends be in the outer position.

Insert the Table Legs into the slots so they are supported by the bars.

Place the Glass Top (F) on the Table Top Frame (A).

Your Dining Table is ready for use.

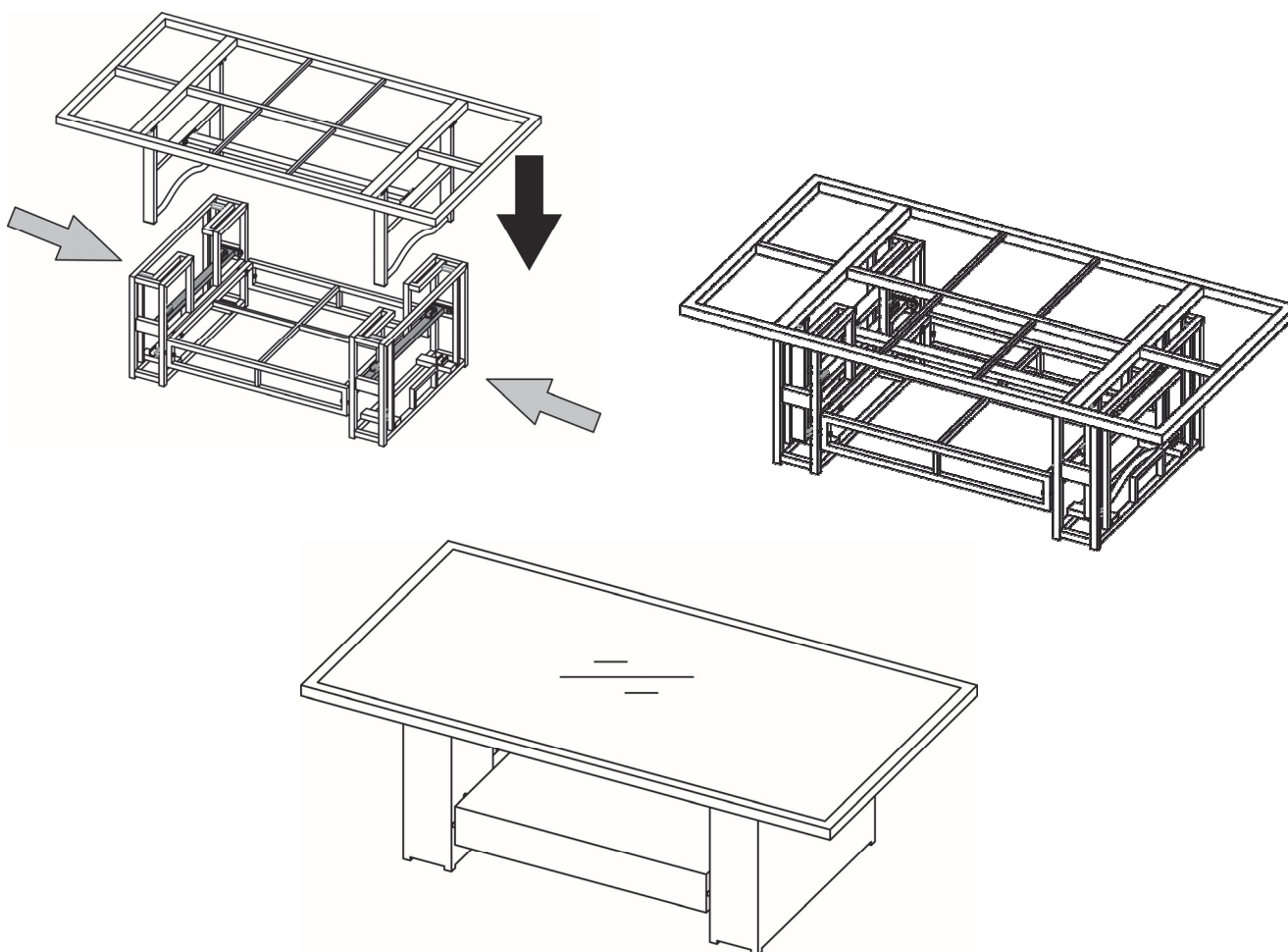


Wentworth 150 x 80cm Rectangular Table Assembly Instructions

Step Four

To use its Coffee Table Function, take out the Table Top, let the movable supports be in its central position, insert the Table Legs into the slots of the movable supports.

Your Coffee Table is ready for use.



This table should be operated by adults.

Children should be kept away during the table function change process between Dining Table and Coffee Table function.

PLEASE KEEP THESE INSTRUCTIONS FOR FUTURE REFERENCE