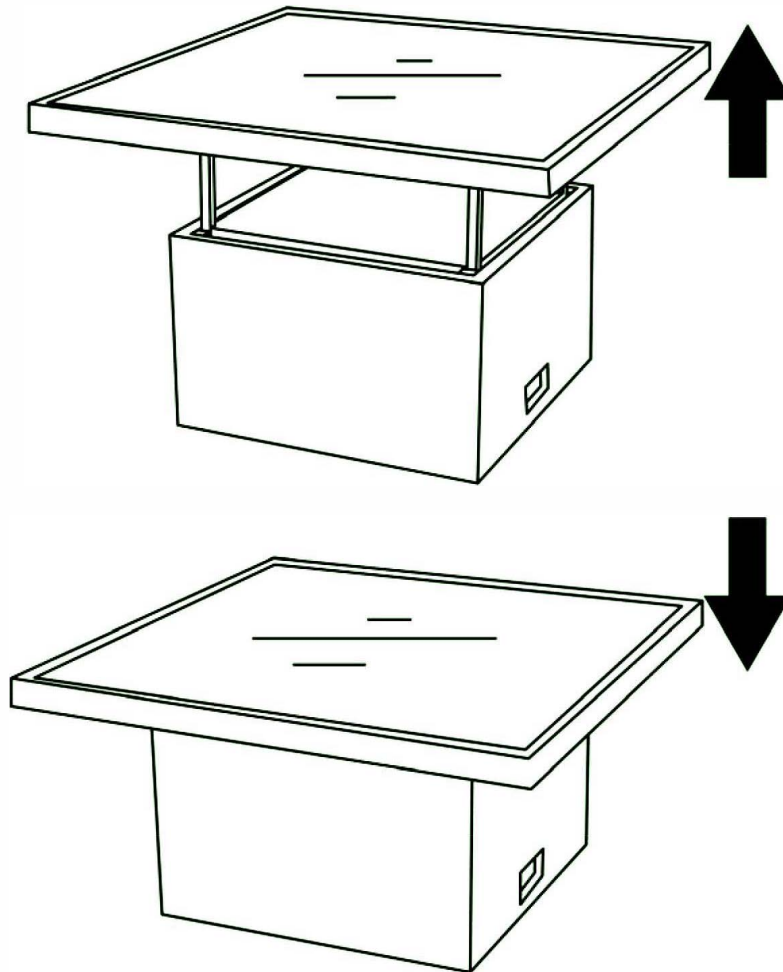


Product size:
L100*W100*H50/68cm



The intended use of this product is for domestic use only.

Important, please retain for future reference.

Read carefully.



Wentworth Adjustable Table 100 x 100cm Assembly Instructions

Before you start



Warnings

IMPORTANT, RETAIN FOR FUTURE REFERENCE READ CAREFULLY

See enclosed instructions for assembly, safety and care information.

Failure to follow the warnings could result in serious injury.

Handle heavy parts with care.

Ensure that this product is fully assembled as illustrated before use.

This product should only be used on firm, level ground.

Keep small parts out of reach of children.

This product is intended for **domestic use** only.

Ensure the product is always placed on level ground.

Furniture can be dangerous if incorrectly used. No liability will be accepted for damage or injury caused by incorrect use of this product.



Dos

When you are ready to start, make sure that you have the right tools, plenty of space and a clean, dry area for assembly.

Unwrap all packaging materials and place the components on a suitable surface to prevent scratching your product.

Check all contents are present prior to assembly as per the parts list provided. In the event of problems or missing parts, please contact the seller.

Check all screws and bolts are tightened and inspect regularly.

Cover furniture when not in use to add additional protection to your product.

During severe weather conditions, including high winds, rain, hail, thunderstorms, extreme heat and cold temperatures, the product should be stored inside in a cool, dry place.

To best preserve the synthetic rattan, please use a protective cover when your furniture is not in use. We would also recommend using a gazebo or parasol over your furniture during the summer period and prolonged sunny spells. This will help prevent harmful UV rays from damaging and discolouring the material.

Ensure that the product is clean and dry before storage.

Clean your product with a sponge and warm soapy water then wipe with a clean, dry cloth.

When cleaning glass panels use a damp cloth or leather with washing up liquid or soft soap if necessary

Where instructions as to the; storage, commissioning, installation, use and maintenance of the goods or (if there is none) good trade practice are not followed and a defect arises this will void the 12 month manufacturer's guarantee on the product.



Don'ts

Do not use scourers, abrasives, washing powders, chemical cleaners or any other substances containing abrasives since these substances can damage the product, including the glass panel.

To preserve the table top design do not place greasy / oily items directly onto the surface. Use place-mats to prevent spillages of food or drink.

Do not place very hot or very cold items on the glass surface unless adequately thick table-mats are used to prevent such items from coming into contact with the glass.

Do not use the table as a chopping surface.

Do not strike the table with hard or pointed items.

Do not sit or lean on the table.

Do not use power tools to construct this product.

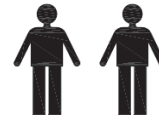
Do not use this product if parts are missing, damaged or worn.

Do not stand or climb onto the product and do not use it as a ladder, as this could lead to it unbalancing and overturning.

Never drag furniture when moving it, always lift it.

Number of people required for assembly

Two people



Time to assemble



50 Minutes

Tools required



Tips:

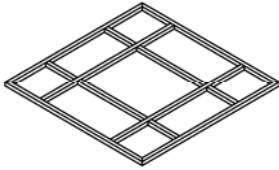
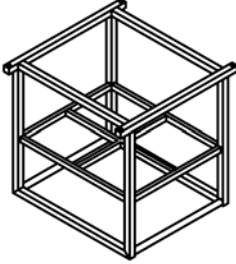
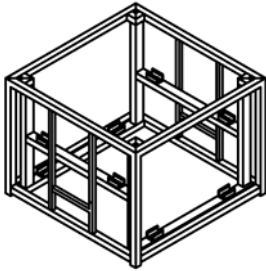
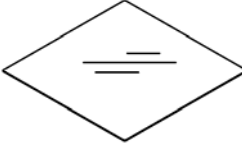
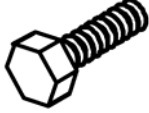

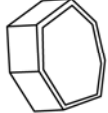
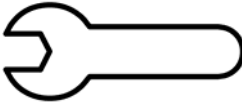
It is best not to fully tighten the nuts and bolts until they are all correctly located. Only carefully tighten them when you are satisfied with the alignment of all components.

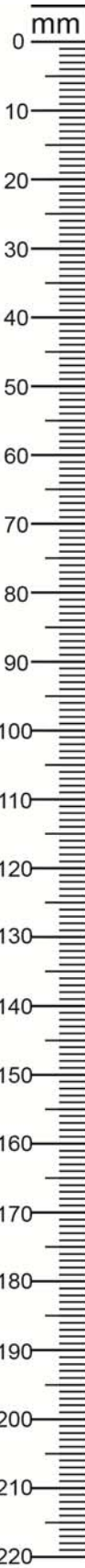
Be careful not to overtighten.

www.royalcraft.co.uk

Wentworth Adjustable Table 100 x 100cm Assembly Instructions

Components, fixtures & fittings (not actual size)

Parts List					
Part No.	Diagram	Qty.	Part No.	Diagram	Qty.
A	 Table Top Frame	1 PC	B	 Small Base	4 PCS
C	 Big Base	1 PC	D	 Glass Top	1 PC
W20	 M6*20mm Bolt	4 PCS	F3	 Washer	4 PCS
F2	 Bolt Head Cap	4 PCS	S1	 Spanner	1 PC

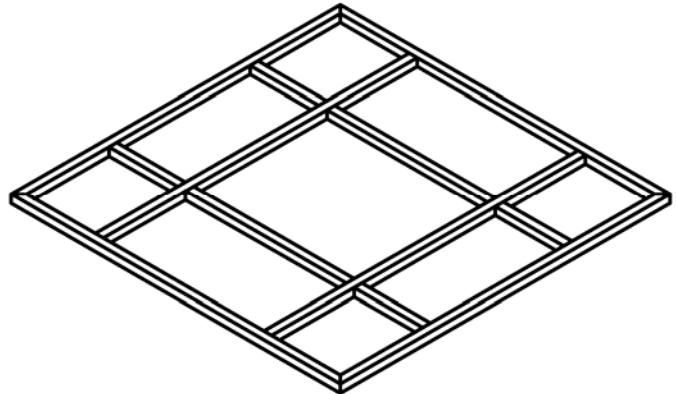


Step by step assembly instructions

All Bolt Head Caps should not be attached before finally tightening all Bolts with Spanner.

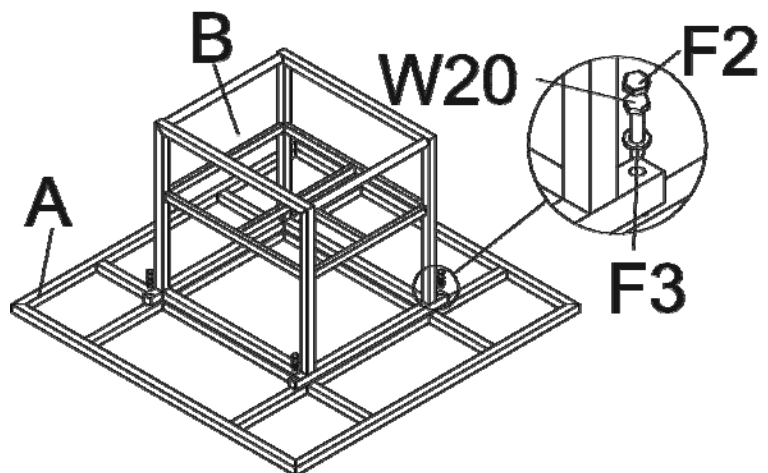
Step One

Place the Glass Top (D) on a soft, level surface.
With the help of another person, place Table Top Frame (A) upside down onto a flat, non-abrasive surface to avoid scratching the surface or rim.



Step Two

Assemble the Small Base (B) onto the Table Top Frame (A) using Washers (F3), Bolts (W20) and Bolt Head Covers (F2).

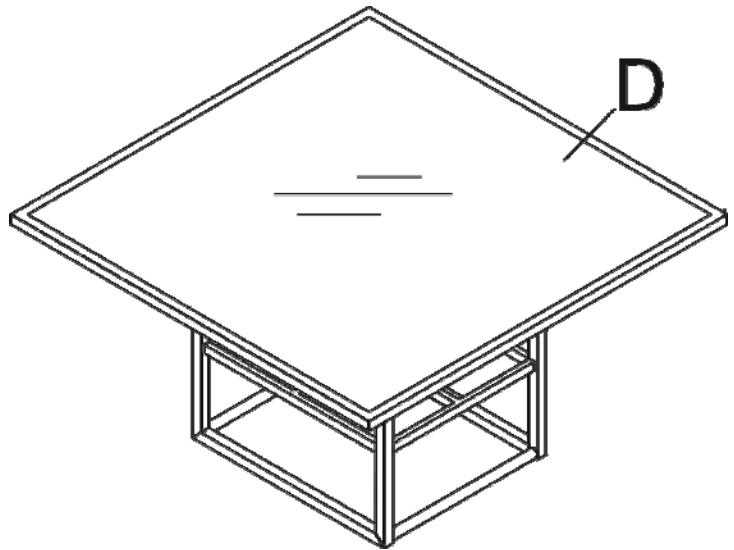


Before attaching the Bolt Head Covers, tighten all bolts with Spanner (S1).

Wentworth Adjustable Table 100 x 100cm Assembly Instructions

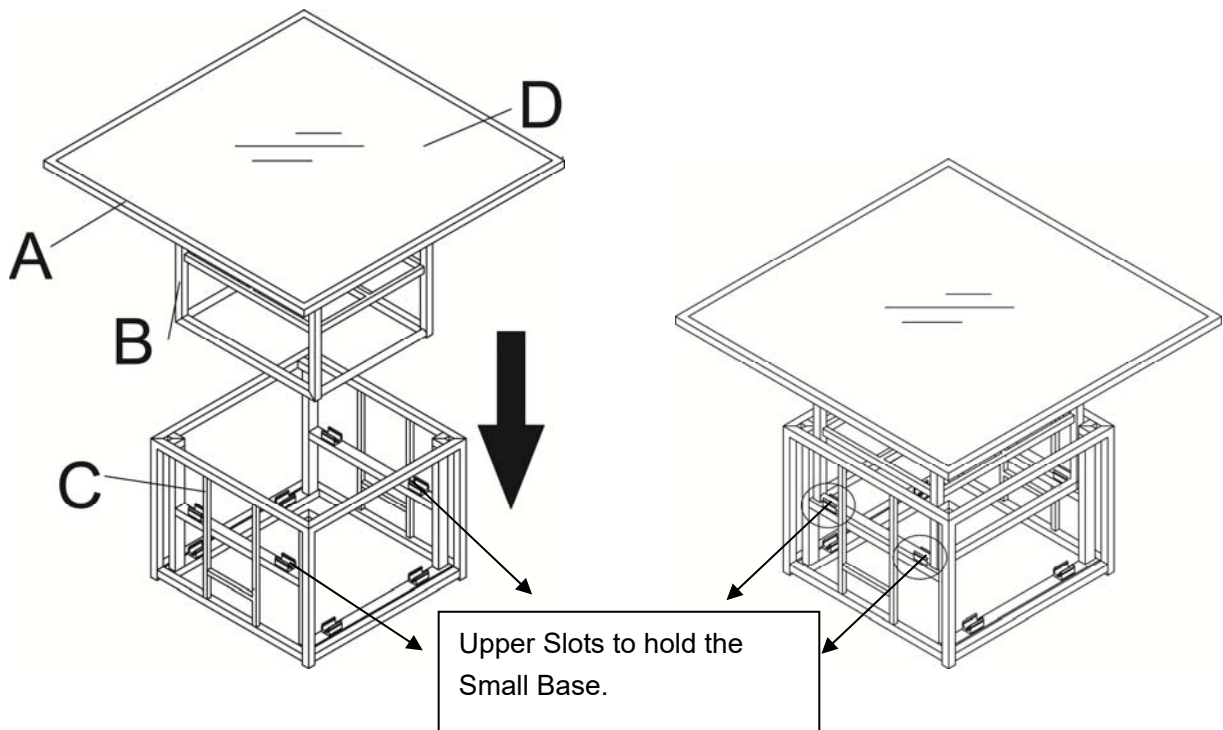
Step Three

With the help of another person, carefully lift Glass Top (D) and place it onto the Table Top Frame (A).



Step Four

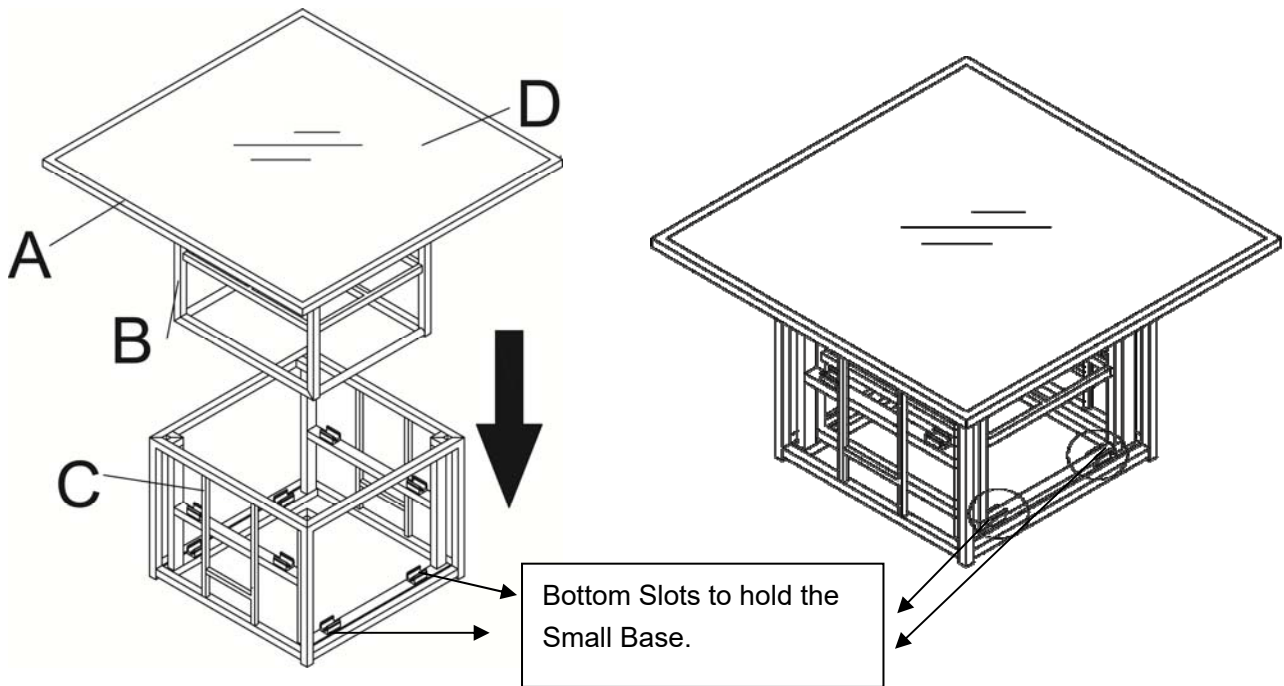
To use Dining Table function, insert the Small Base into the upper Slots on the Big Base (C).
Your Dining Table is ready for use!



Wentworth Adjustable Table 100 x 100cm Assembly Instructions

Step Five

To use in the Coffee Table function, take off the table top and turn 90 degrees, then replace the Small Base into the Bottom Slots on the Big Base (C).



This table should be operated by adults.

Children should be kept away during the table function change process between Dining Table and Coffee Table function.

PLEASE KEEP THESE INSTRUCTIONS FOR FUTURE REFERENCE