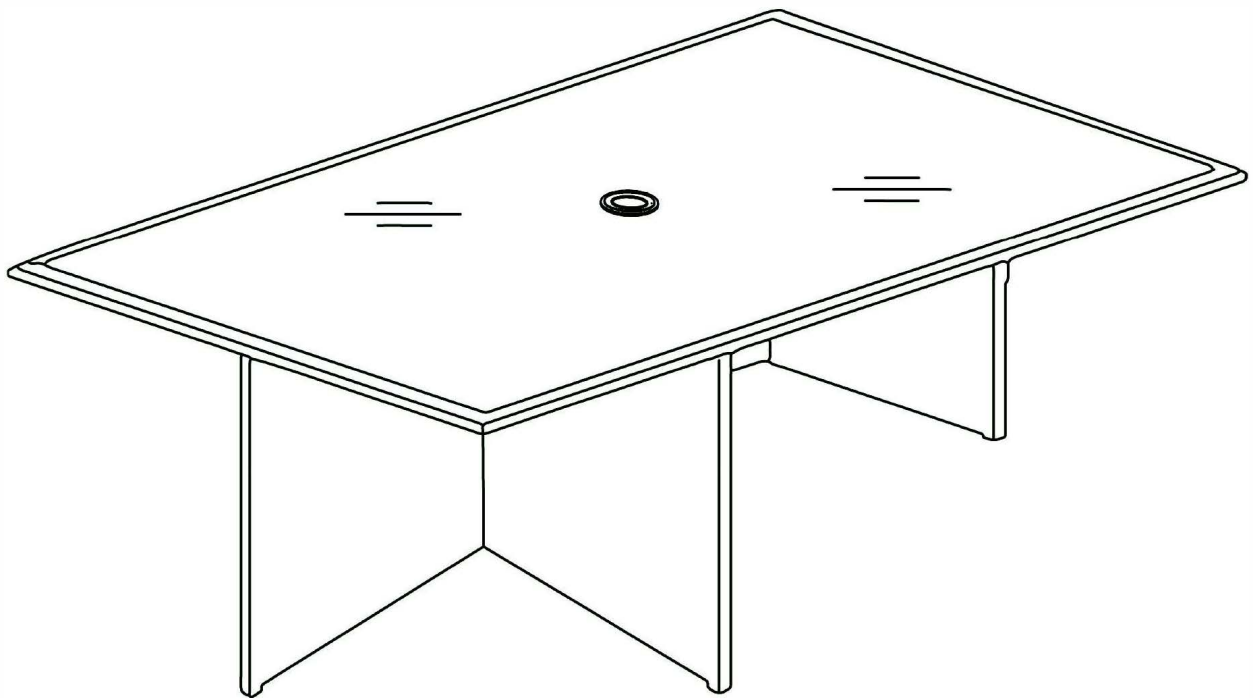


Product size:
W200*D125*H75cm



The intended use of this product is for domestic use only.

Important, please retain for future reference.

Read carefully.



Deluxe Rectangular Cube Table

Assembly Instructions

Before you start



Warnings

IMPORTANT, RETAIN FOR FUTURE REFERENCE READ CAREFULLY

See enclosed instructions for assembly, safety and care information.

Failure to follow the warnings could result in serious injury.

Handle heavy parts with care.

Ensure that this product is fully assembled as illustrated before use.

This product should only be used on firm, level ground.

Keep small parts out of reach of children.

This product is intended for **domestic use** only.

Ensure the product is always placed on level ground.

Furniture can be dangerous if incorrectly used. No liability will be accepted for damage or injury caused by incorrect use of this product.



Dos

When you are ready to start, make sure that you have the right tools, plenty of space and a clean, dry area for assembly.

Unwrap all packaging materials and place the components on a suitable surface to prevent scratching your product.

Check all contents are present prior to assembly as per the parts list provided. In the event of problems or missing parts, please contact the seller.

Check all screws and bolts are tightened and inspect regularly.

Cover furniture when not in use to add additional protection to your product.

During severe weather conditions, including high winds, rain, hail, thunderstorms, extreme heat and cold temperatures, the product should be stored inside in a cool, dry place.

To best preserve the synthetic rattan, please use a protective cover when your furniture is not in use. We would also recommend using a gazebo or parasol over your furniture during the summer period and prolonged sunny spells. This will help prevent harmful UV rays from damaging and discolouring the material.

Ensure that the product is clean and dry before storage.

Clean your product with a sponge and warm soapy water then wipe with a clean, dry cloth.

When cleaning glass panels use a damp cloth or leather with washing up liquid or soft soap if necessary

Where instructions as to the; storage, commissioning, installation, use and maintenance of the goods or (if there is none) good trade practice are not followed and a defect arises this will void the 12 month manufacturer's guarantee on the product.



Don'ts

Do not use scourers, abrasives, washing powders, chemical cleaners or any other substances containing abrasives since these substances can damage the product, including the glass panel.

To preserve the table top design do not place greasy / oily items directly onto the surface. Use place-mats to prevent spillages of food or drink.

Do not place very hot or very cold items on the glass surface unless adequately thick table-mats are used to prevent such items from coming into contact with the glass.

Do not use the table as a chopping surface.

Do not strike the table with hard or pointed items.

Do not sit or lean on the table.

Do not use power tools to construct this product.

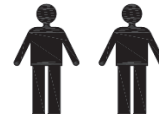
Do not use this product if parts are missing, damaged or worn.

Do not stand or climb onto the product and do not use it as a ladder, as this could lead to it unbalancing and overturning.

Never drag furniture when moving it, always lift it.

Number of people required for assembly

Two people.



Time to assemble



30 Minutes

Tools required



Tips:

It is best not to fully tighten the nuts and bolts until they are all correctly located. Only carefully tighten them when you are satisfied with the alignment of all components.

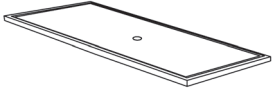
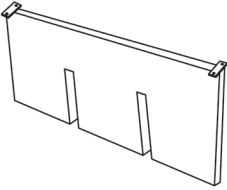
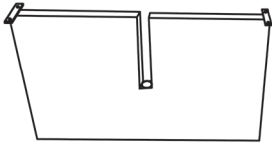
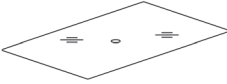
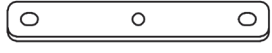


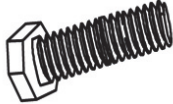

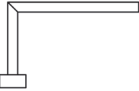
Be careful not to overtighten.

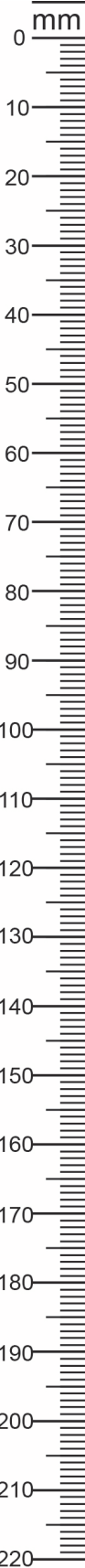
www.a-mir.co.uk

Deluxe Rectangular Cube Table

Assembly Instructions

Components, fixtures & fittings (not actual size)

Table Parts List					
Part No.	Diagram	Qty	Part No.	Diagram	Qty
A	 Table Top Frame	1 PC	B	 Long Leg	1 PC
C	 Short Leg	2 PCS	D	 Glass Top	1 PC
E	 Connecting Panel	2 PCS	F	 Parasol Hole Cap	1 PC
F2	 Bolt Head Cap	18 PCS	F63	 M6*20mm Bolt	18 PCS
F3	 Washer	18 PCS	S1	 Socket Wrench	1 PC



Deluxe Rectangular Cube Table

Assembly Instructions

Step by step assembly instructions

Step One

Open the packaging, take out the contents and carefully leave the glass on the carton until the rest of the table is fully assembled.

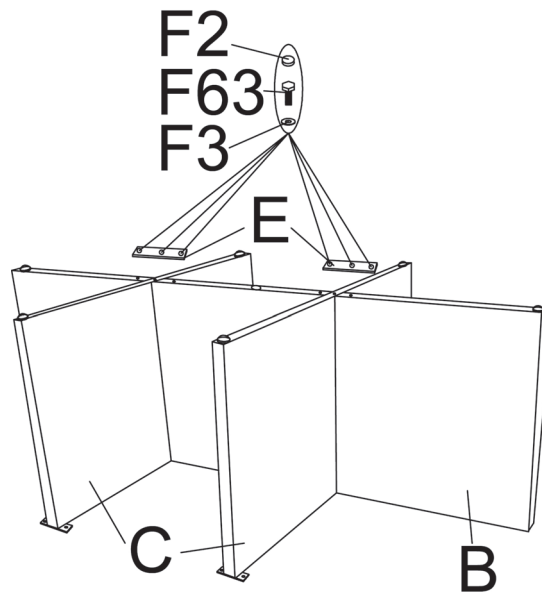
With the help of another person, place the Table Top Frame (A) upside down on a flat, non-abrasive surface to avoid scratching the table surface or rim.

Do NOT assemble the Legs (B&C) to the Table Top Frame (A) while it is still resting on the Glass Top (D).

Step Two

With the help of another person, stand all legs upside down.

Place the Short Legs (C) onto the Long Leg (B), align the assembly holes, using Connecting Panel (E), Bolts (F63) and Washers (F3) to connect them. DO NOT fully tighten the bolts.



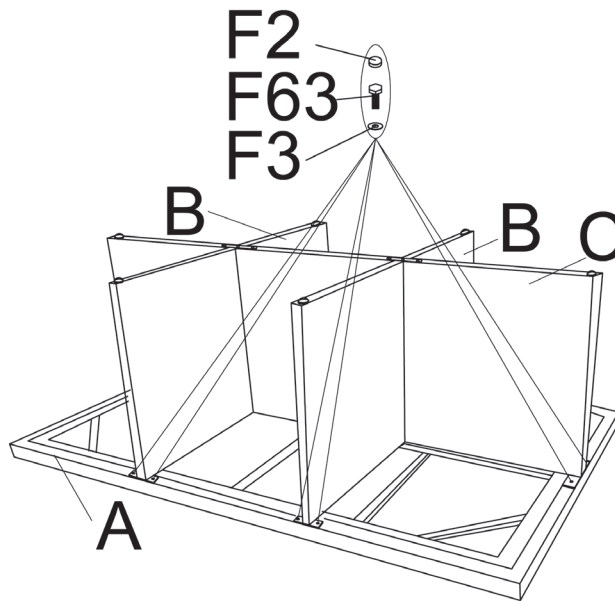
Deluxe Rectangular Cube Table

Assembly Instructions

Step Three

Place the Assembled Legs onto the Table Top Frame (A), align the assembly holes, using Bolts (F63) and Washers (F3) to connect them.

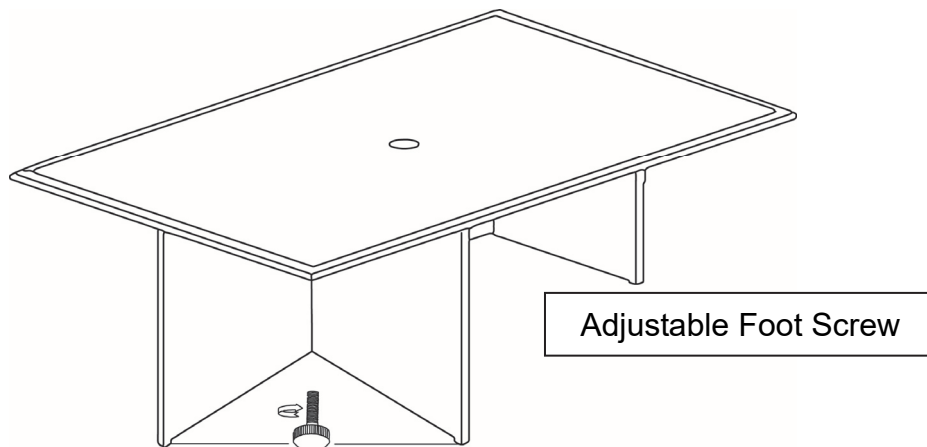
At this stage, please don't fully tighten the bolts; just assemble all bolts into place so that they still turn freely.



Step Four

With the help of another person, carefully lift the partly-assembled table in upright position. Level the table with adjustable feet screws.

Once you are satisfied with the alignment of all components, carefully tighten all bolts using Socket Wrench (S1), cover all Bolt Heads with Bolt Head Caps (F2). During this step (Levelling step and Bolts-tightening step), you may have to turn around the table upside down for several times.



Deluxe Rectangular Cube Table

Assembly Instructions

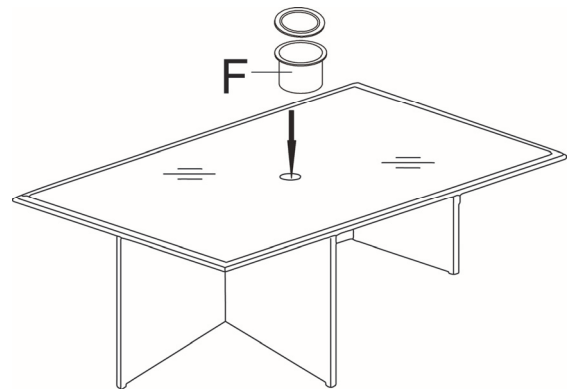
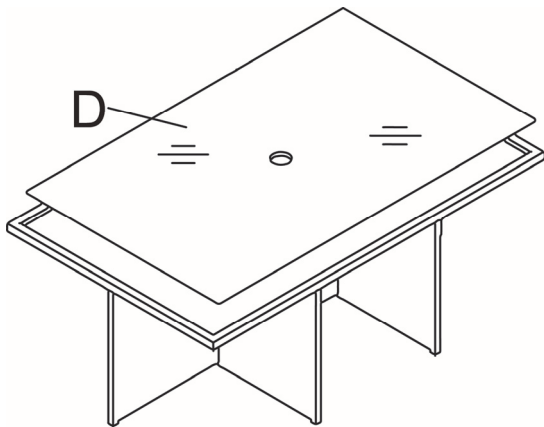
Step Five

With the help of another person, carefully lift the Glass Top (D) and place it onto the Table Top Frame (A).

The glass top should be securely inlaid into the Table Top Frame (A).
Make sure the glass top is evenly rested on the Table Top Frame (A).

Insert the Parasol Hole Cap (F) into the middle hole in the Glass Top (D) and the Table Top Frame (A).

Your table is now ready for use.



PLEASE KEEP THESE INSTRUCTIONS FOR FUTURE REFERENCE