

ASSEMBLY AND OPERATING
INSTRUCTIONS

PRAGUE PERGOLA GAZEBO

Grey 3x3m

MODEL: PRAPERG3x3-GREY



www.royalcraft.co.uk

Produced in China for A. Mir & Co., Ltd.
© A. Mir & Co., Ltd.

PRAPERG3x3-GREY

Warning

1. It is the consumer's responsibility to comply with any relevant local planning requirements.
2. TWO persons are required for assembly. The tools required are a screwdriver, stepladder and other relevant safety items such as gloves. We recommend the use of protective equipment.
3. This gazebo will take at least 1-2 hours to set up. You must allow enough time to complete the assembly. Do not leave it unattended if not fully assembled, even if bolted to the ground.
 - A. Make sure that all components are in the box. Read instructions carefully before starting the assembly.
 - b. Follow all instructions carefully to assure the strength of the gazebo.
 - c. In order to avoid damage to the gazebo and its components, use appropriate Tools. Do not use the structure as a support; a stepladder is recommended.
 - d. Check all screws on a regular basis to maintain the solidity of the structure.
 - e. Keep the instructions and parts list for further use.
4. The screws/bolts to anchor to a wooden deck and concrete patio are not included.

Maintenance

- In the event that your gazebo needs replacement parts, repairs or you require assistance with regards to assembly; please contact our customer sales team by email info@royalcraft.co.uk
- For cleaning: Use a mild domestic soap or soft detergent and wash with warm water using a sponge or microfibre fabric. Rinse with clean water.

To preserve the fabric (canopy) we recommend the use of a UV protector spray like Fabsil this Block the harmful UV rays from damaging the fabric and also will keep the fabric protected from discoloration.

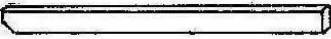
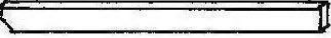
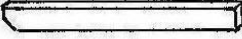
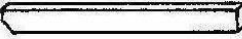

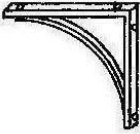


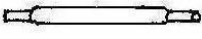
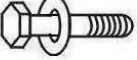
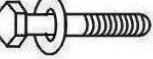
ATTENTION

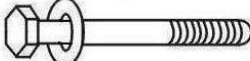




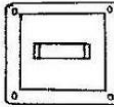
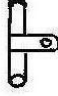



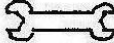
Please do not leave your canopy closed during high winds / rain or winter months and the water will collate on top causing a pool and damaging the structure.

EXCLUDED:

- Damages due to vandalism, abuse and incorrect use of the product are not covered by the warranty
- Damages due to extreme weather conditions such as thunderstorm, hail and high winds are not covered by warranty.

Part list

Part#	Figure	Qty
A		1
A1		2
A2		2
B		1
B1		2
B2		2
C1		2
C2		2
D		8
E		10
F		3
G		3
H1	 M6×16	49
H2	 M6×20	40+2

Part#	Figure	Qty
H3	 M6×65	6+1
I		4
J1		6
J2		6
K		3
L		4
M		3
N		3
O		18+4
W		1
Y		16
Z		1

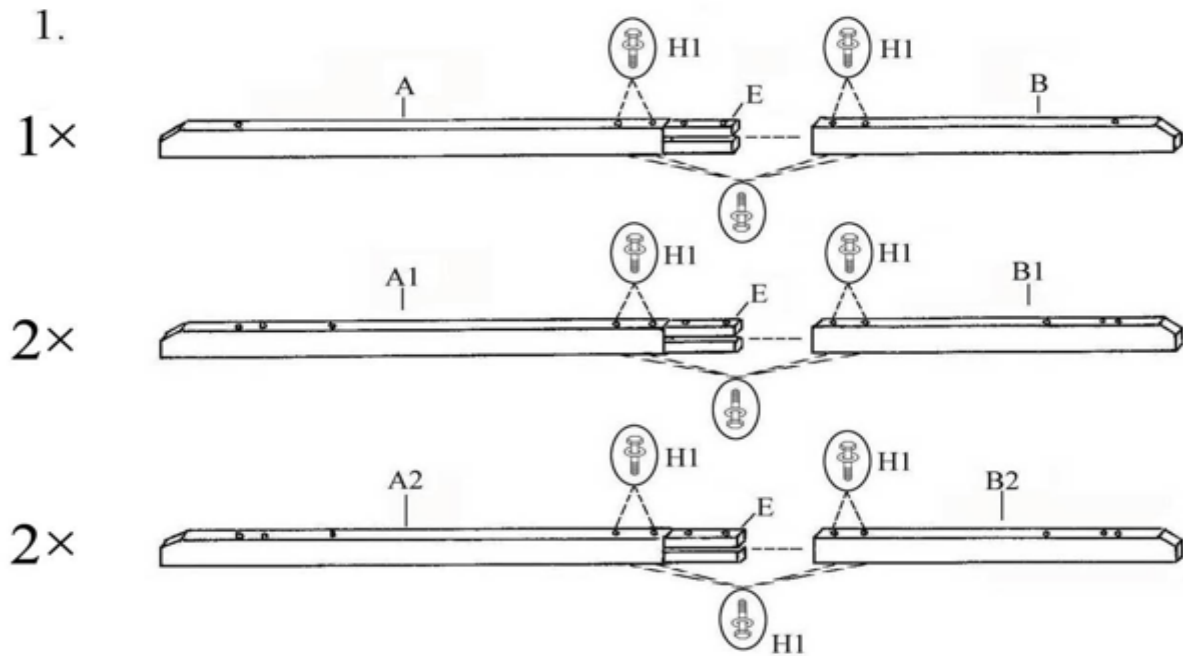
STEP ONE:

1A. CONNECT PART E INTO A, A1 AND A2

1B. CONNECT PART A INTO PART B

1C. CONNECT PART A1 INTO PART B1

1D. CONNECT PART A2 INTO PART B2



STEP TWO:

2A. CONNECT PART M INTO PARTS A, B2 AND A2

2B. CONNECT PARTS N INTO PARTS B, A2 AND B2

2C. CONNECT PART F INTO PART M ON PART A

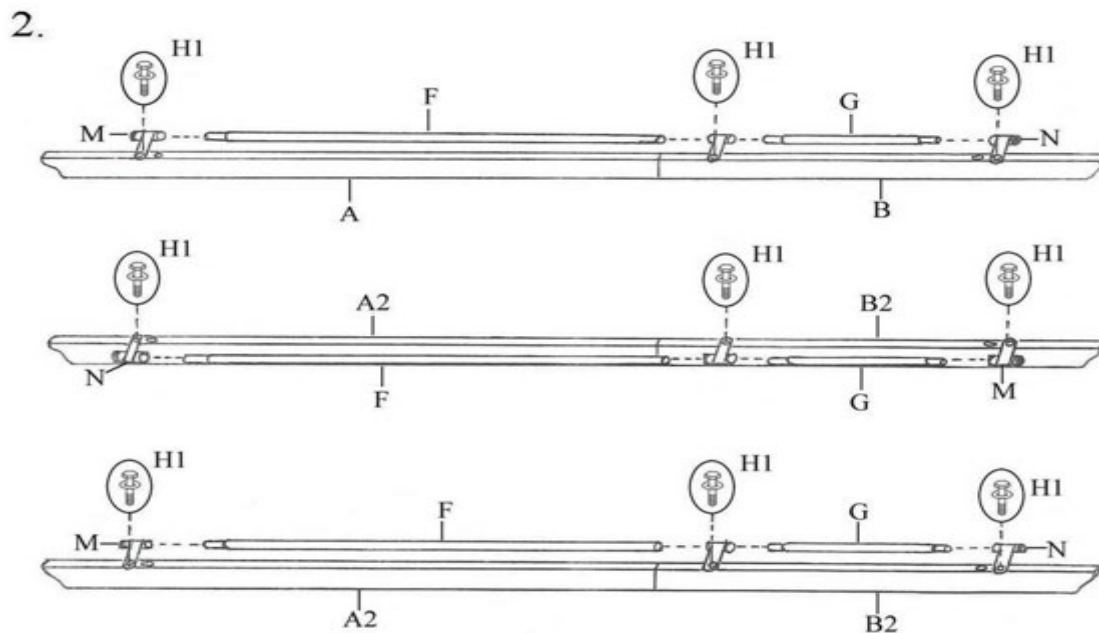
2D. CONNECT PART F INTO PART N ON PART A2

2E. CONNECT PART F INTO PART M ON PART A2

2F. CONNECT PART G INTO PART N ON PART B

2G. CONNECT PART G INTO PART N ON PART B2

2H. CONNECT PART G INTO PART N ON PART B2



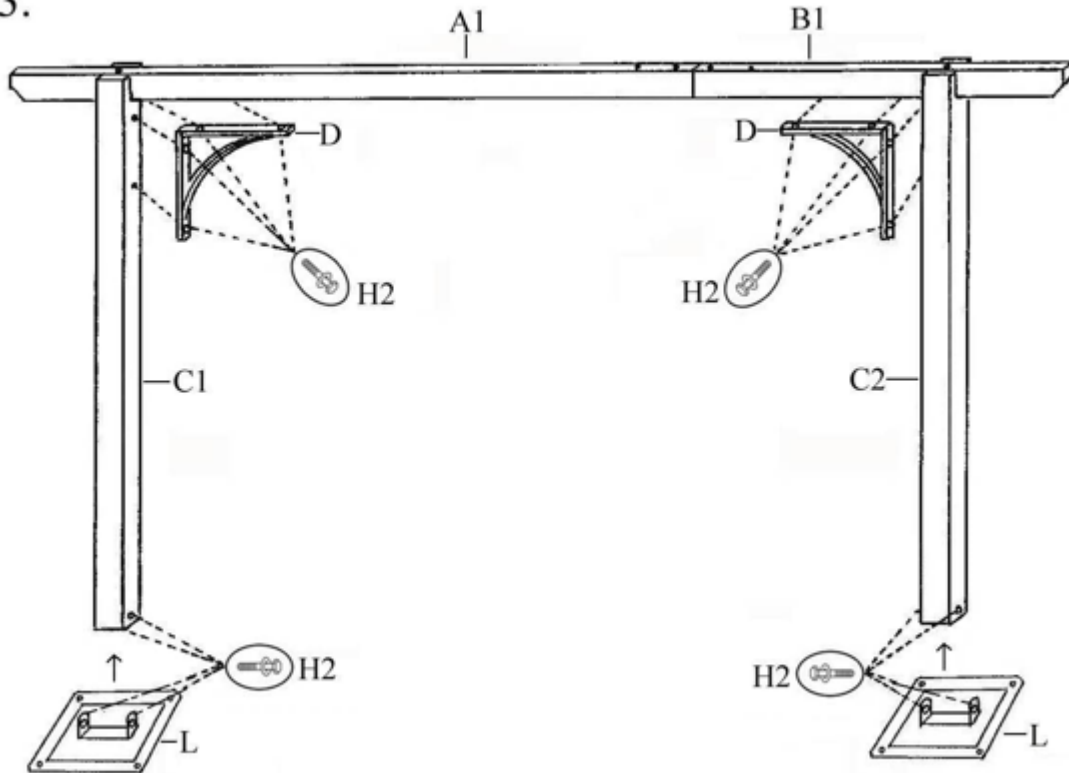
STEP THREE:

3A. CONNECT PART L INTO PART C1 (C2)

3B. SLOT A1 (B1) INTO C1 AND C2

3C. CONNECT PART D INTO C1 AND C2

3.



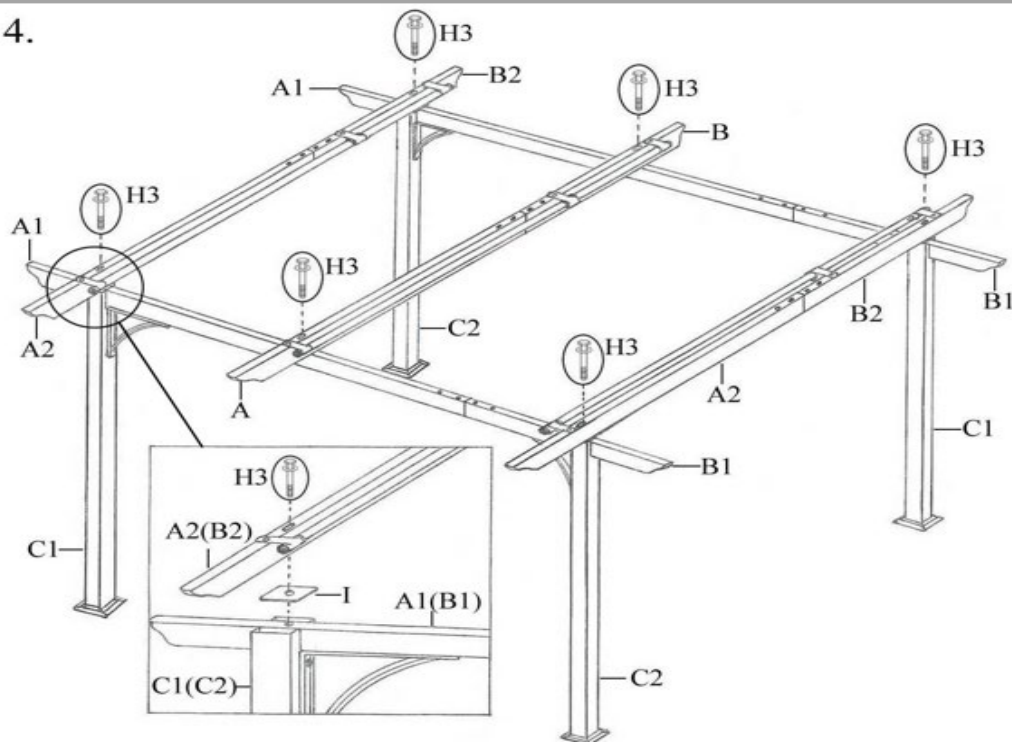
STEP FOUR:

4A. CONNECT A2 (B2) TO C1 (C2) ON TOP OF A1 WITH PART I IN BETWEEN WITH H3 BOLT

4B. CONNECT A (B) ON TOP IN THE CENTRE WITH H3 BOLT

4C. CONNECT A2 (B2) ON TOP OF B1 USING H3 BOLT

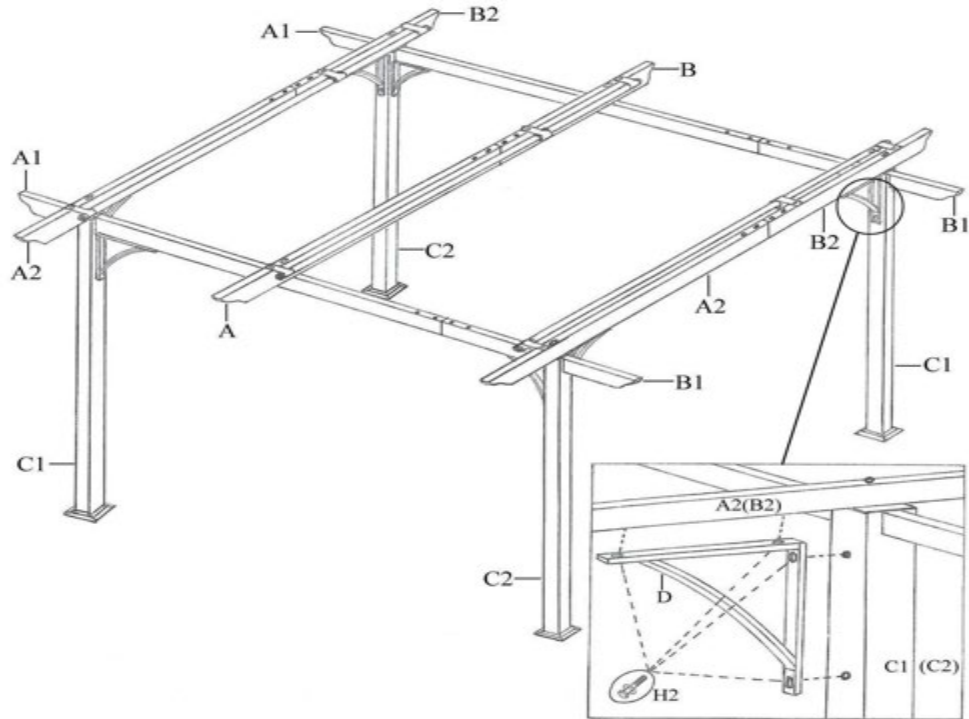
4.



STEP FIVE:

CONNECT PART D TO PARTS C1 (B2) AND C2 (A2)

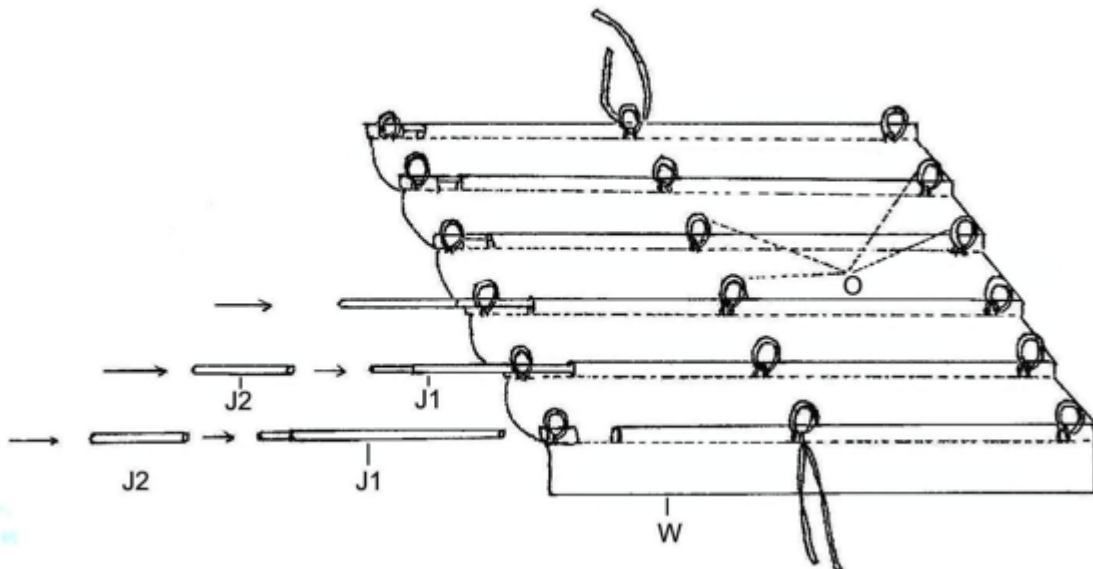
5.



STEP SIX:

CONNECT PARTS J2 TO PARTS J1 AND SLIDE INTO CANOPY HOLES (AS SHOWN IN BELOW DIAGRAM)

6.

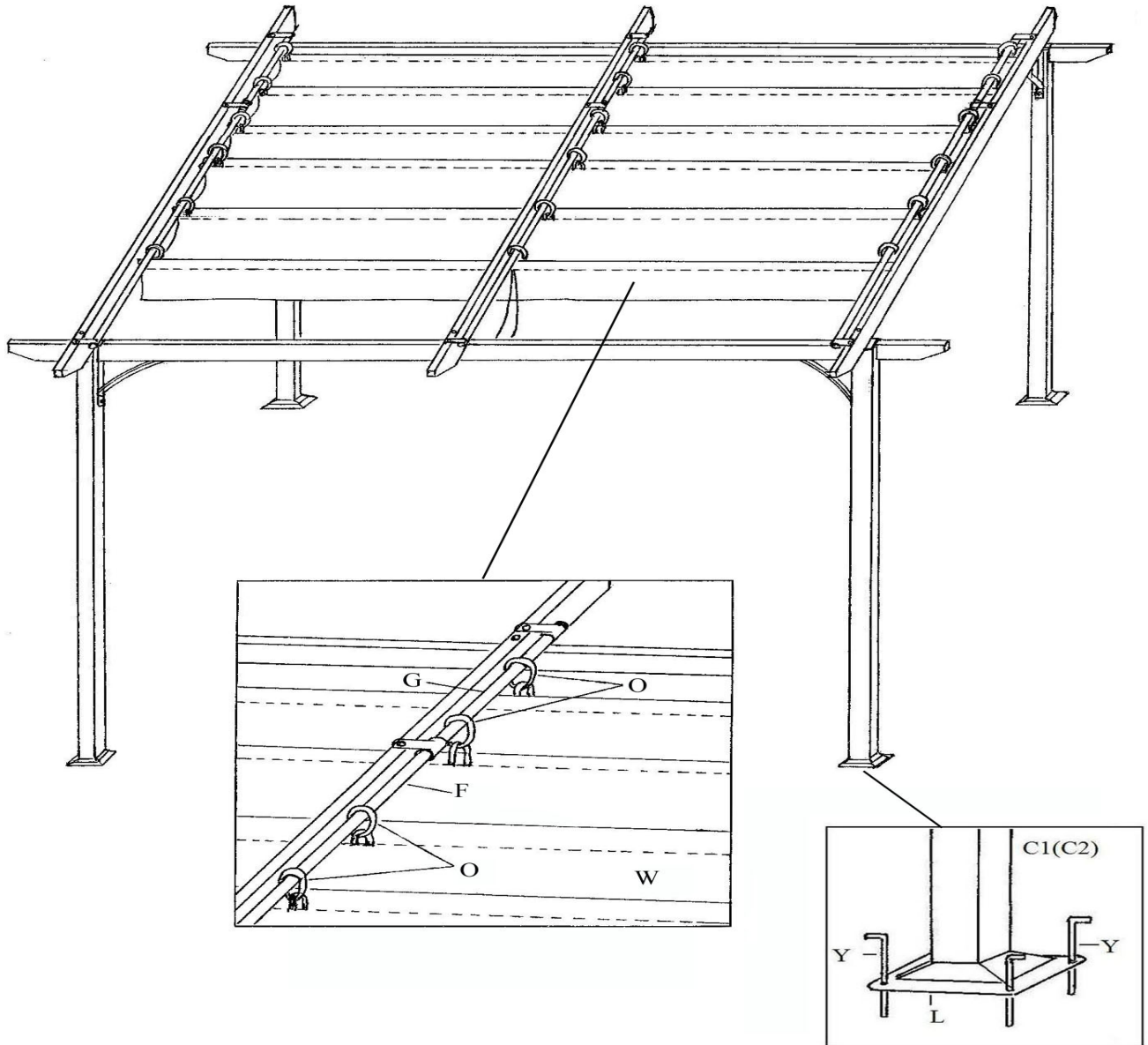


STEP SEVEN:

HOOK PART O INTO PART W AND HOOK ONTO PARTS F & G

(AS SHOWN IN BELOW DIAGRAM)

7.



“This product must be securely fixed to the ground surface, to prevent damage in stormy weather”