

Assembly Instructions

Product size: 213x127x185cm (7.0x4.2 FT)



IMPORTANT TO FOLLOW THESE ASSEMBLY INSTRUCTIONS

Important, please retain for future reference.

Read carefully.

Requires two people and takes 3-4 hours for Installation.

Assembly Preparation

Before you begin:

Please check local building codes regarding footings, location and other requirements before beginning construction.

Reviewing all instructions and the appropriate information before you begin, make sure following the step sequence carefully for successful results.

Safety & Precautions:

- Select a suitable level ground that is suitable for the size of your shed at your property.
- The owner must use Safety gloves provided when erecting your shed (2 pairs are provided with your shed)
- Your shed is supplied in multiple boxes for safe handling
- Your shed is DIY shed. Do not attempt to assemble the shed on a windy day.
- It is recommended to plan at least one whole day for the assembly of your shed by 2 persons.
- A suitable ladder will be required to assemble your shed - we recommend you take necessary precautions to avoid injury.
- Be cautious with the tools used for the assembly of the shed .Familiarize yourself with the operation of all the power tools.
- For floor covering, the owner can purchase flooring material locally. We have supplied the foundation kit with the shed which can be used as floor base. Instructions about how to assemble foundation kit and how to fix flooring to the foundation kit are included in the manual.

Location and Base:

A good location for the storage building is a square and level area with good drainage.

The base is not included in the kit which may need purchase separately or may construct a foundation and anchoring system of your own. The recommended base size about 10 cm larger than the bottom rail of the shed.

A strong plastic sheet (thickness: at least 150µm) should be placed under the foundation to assist in reducing rising dampness from the soil, thus reducing condensation build up in the shed.

Your storage building **must be anchored** to prevent wind damage. Once secured, it is highly recommended applying silicone along the inside of the base rail to minimize condensation.

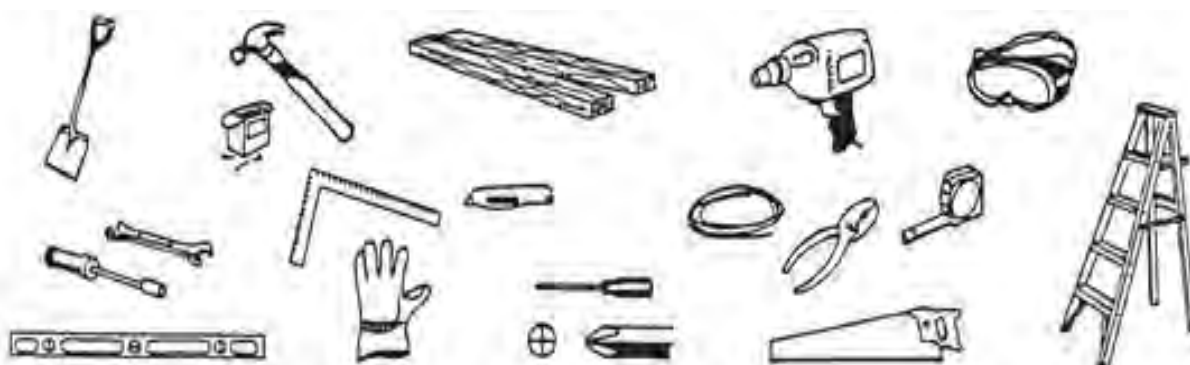
Parts and Parts List:

Before you start, separate and identify all the parts and hardware to be sure that you have all the necessary parts for your building (refer to the Parts List Page).

Do not attempt to assemble the building if parts are missing because any building left partially assembled may be seriously damaged by light winds.

Personal **Tools you will Need:**

(Please tear off the safety protection layer before the assembly, keep the part number label if needed)



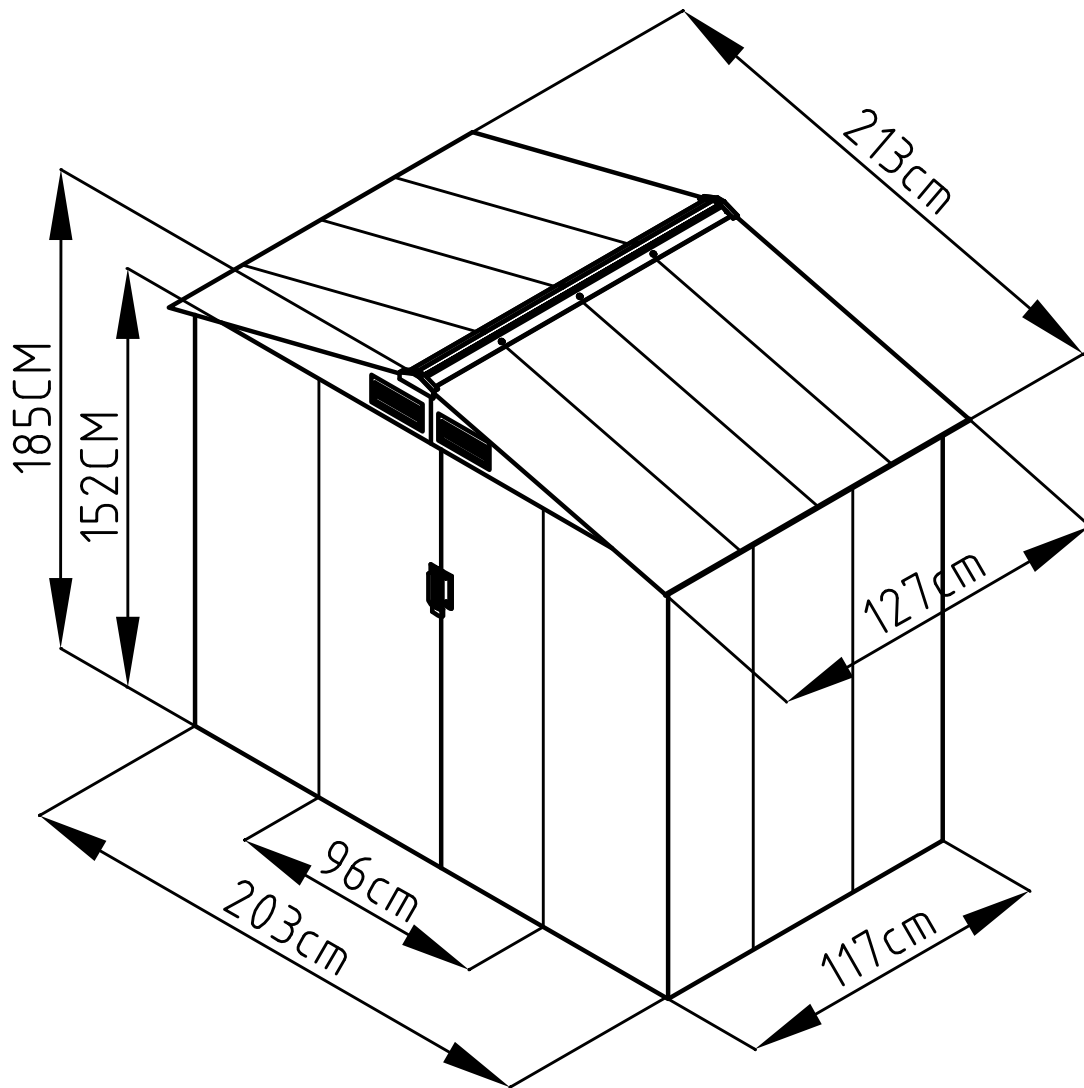
Safety must be put in the No. 1 position:

1. Select a dry and calm day for your assembly.
2. Team works (2 or more people) are required during the assembly. It is also recommended to finish the assembly in a day to avoid damage to the product or missing of some small parts.
3. Wearing safety gloves, eye protection and long sleeves during the assembly to prevent injury. Pay attention to the sharp edge of some parts.
4. Children and pets are not allowed entering into the construction site.
5. Never concentrate your total weight on the roof of the building.
When using a step ladder make sure that it is safe.

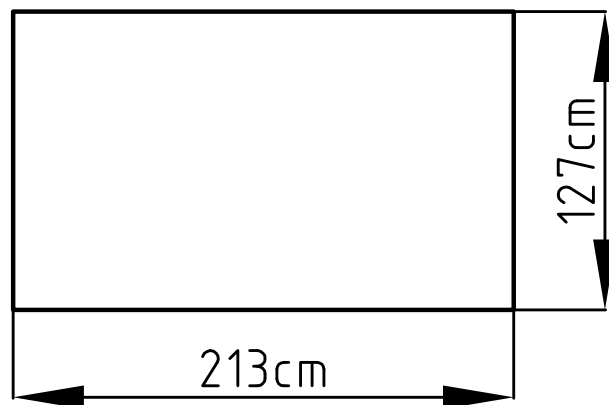
Care & Maintenance:

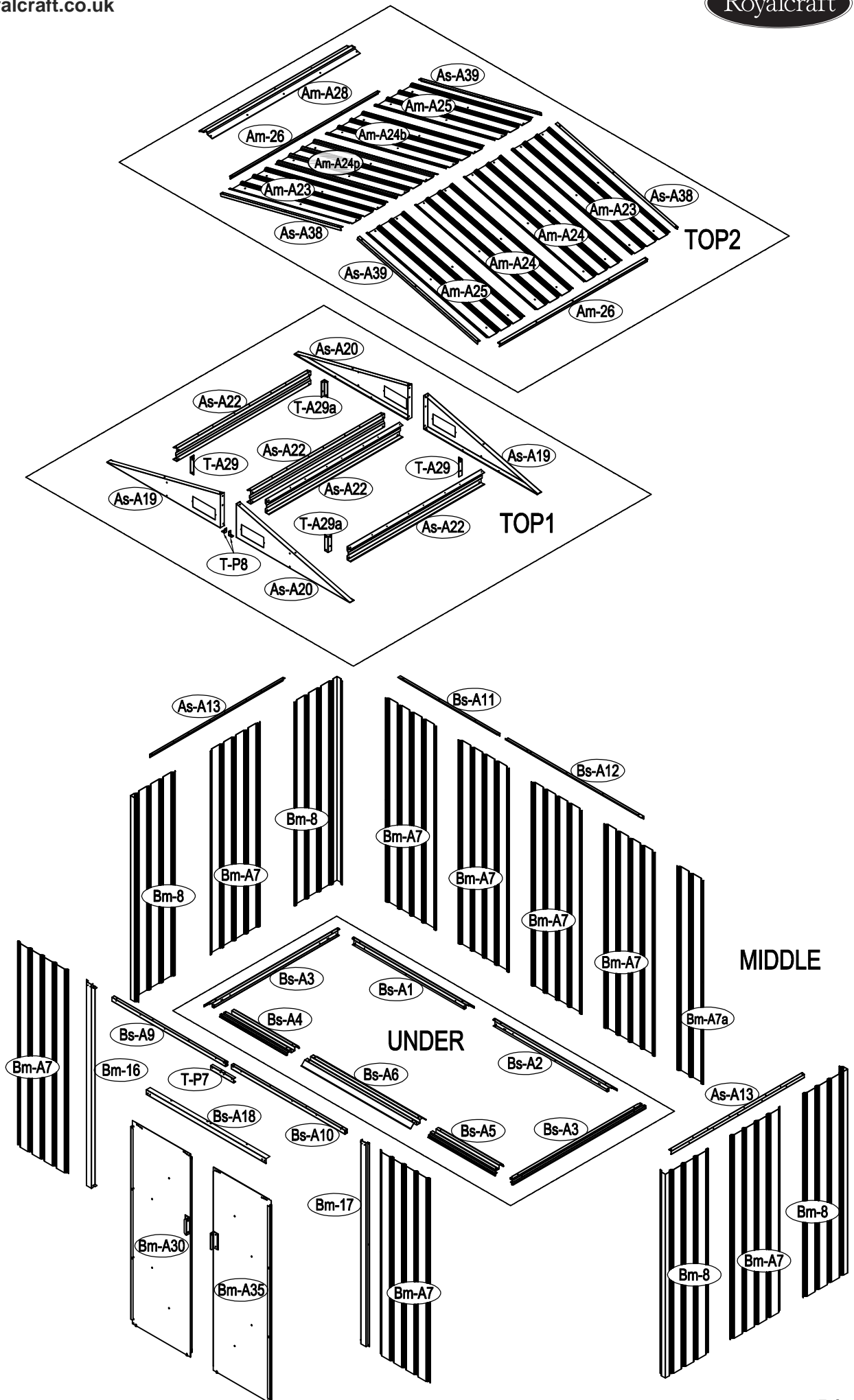
1. Keep the shed clean with soft cloth, use water if necessary.
2. Keep the door tracks clear of dirt and other stuff that prevent them from sliding easily.
3. Clean the snow with necessary tools to make sure it is safe to enter into.
4. The shed is not made for living but storing stuff.
5. Please add some oil on the top and bottom door sliding channel to make door slides smoothly.

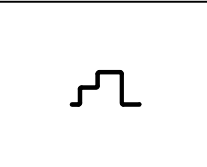
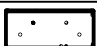
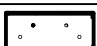
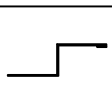

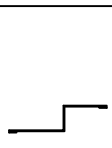





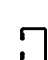







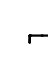


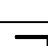





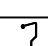
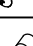

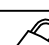

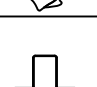


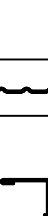

Size



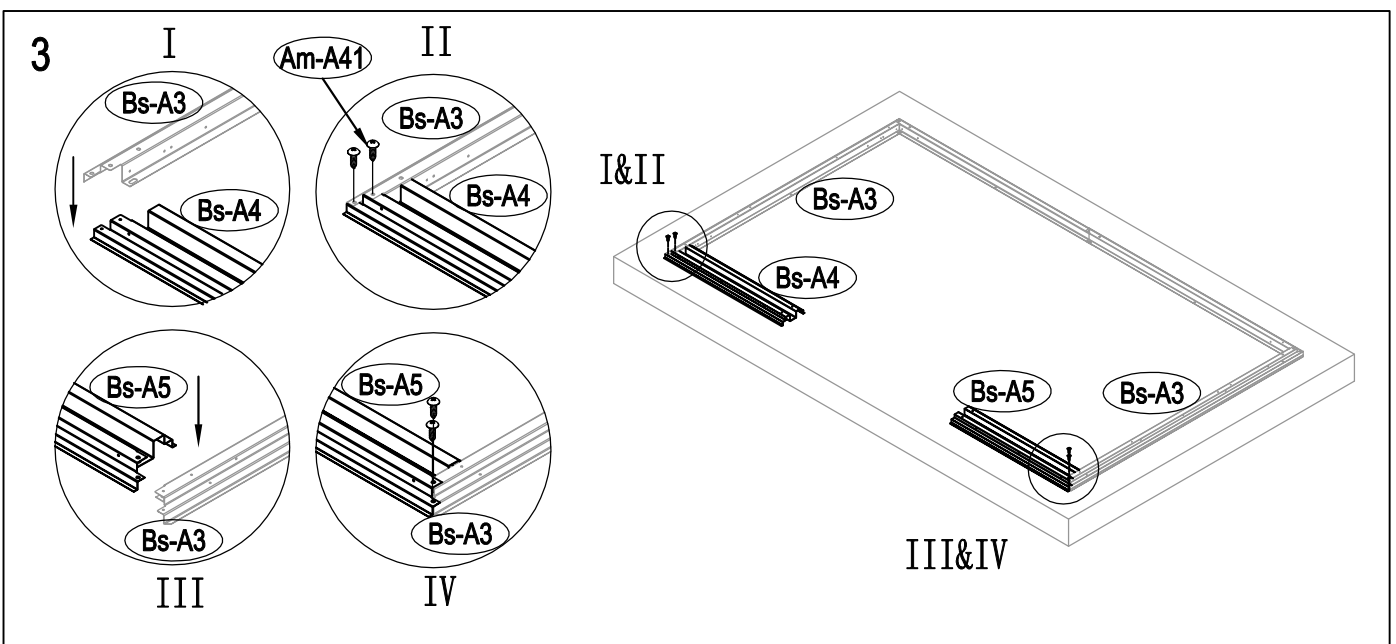
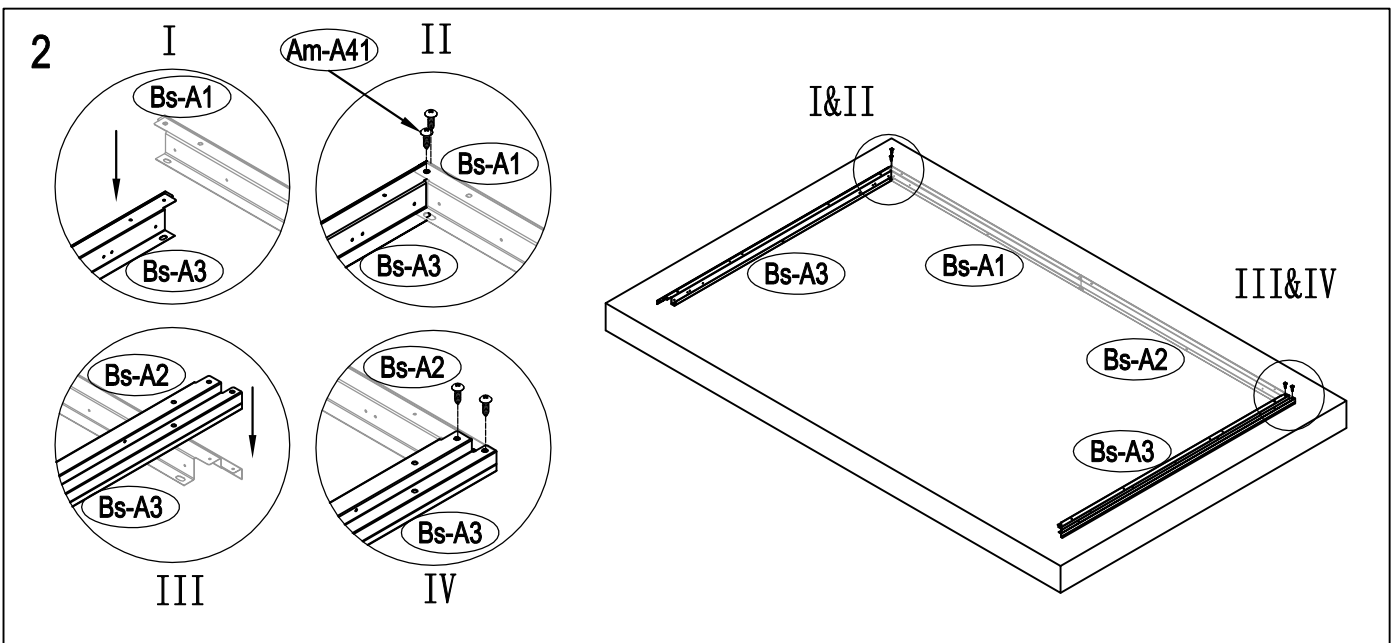
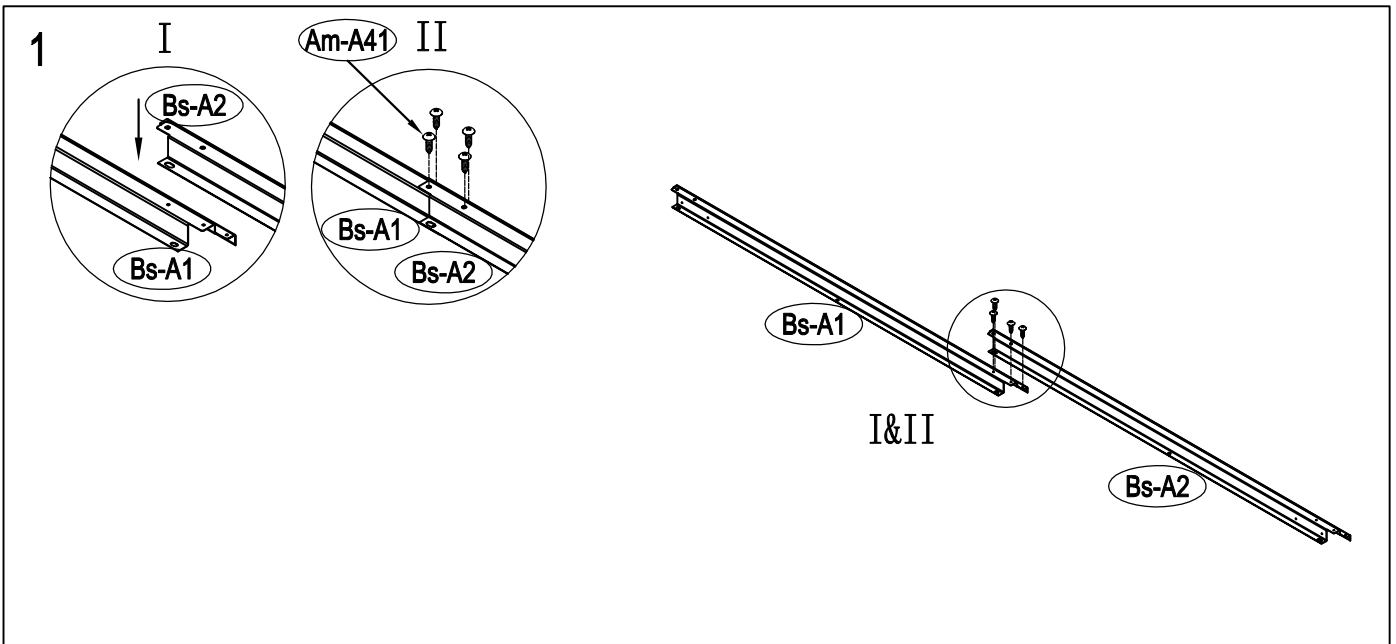
Area of installation requirement

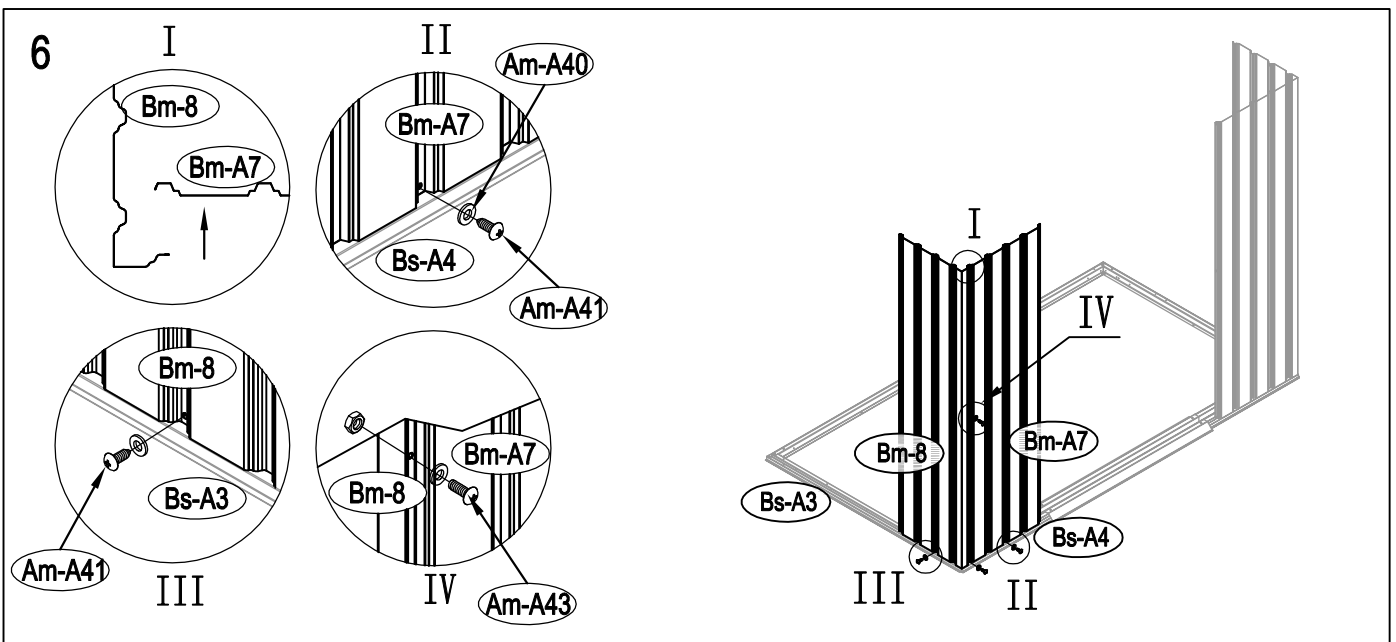
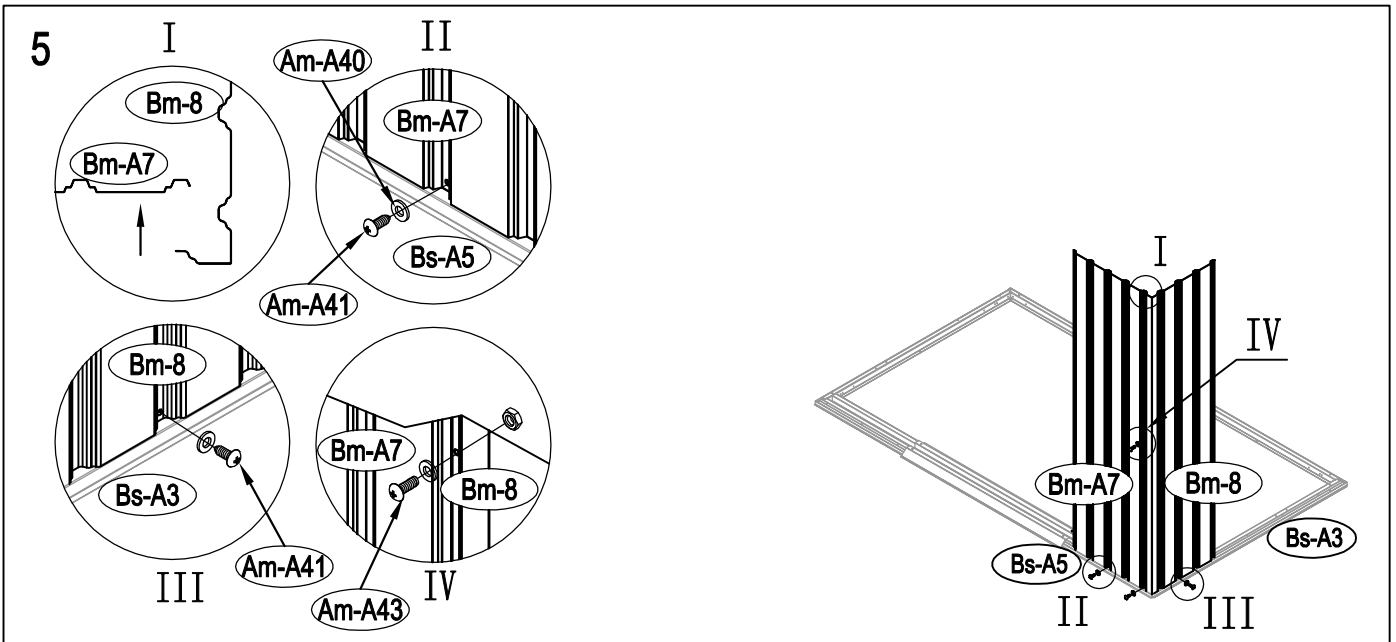
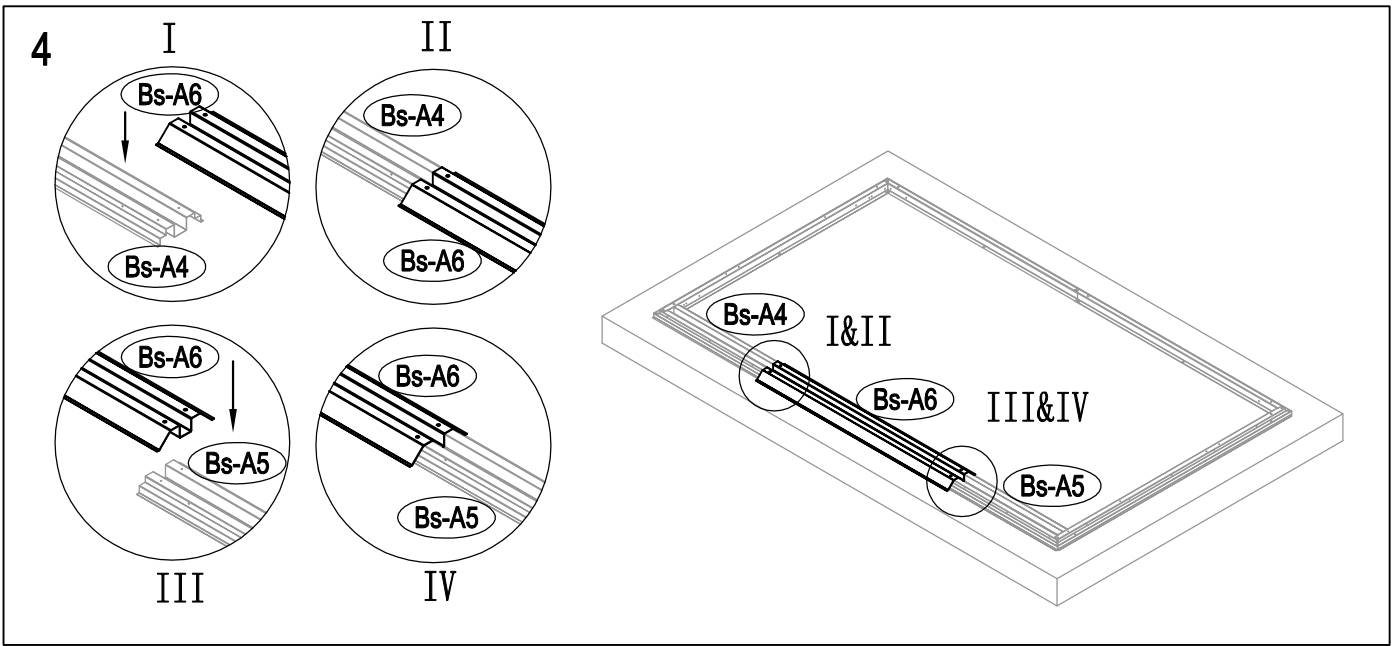


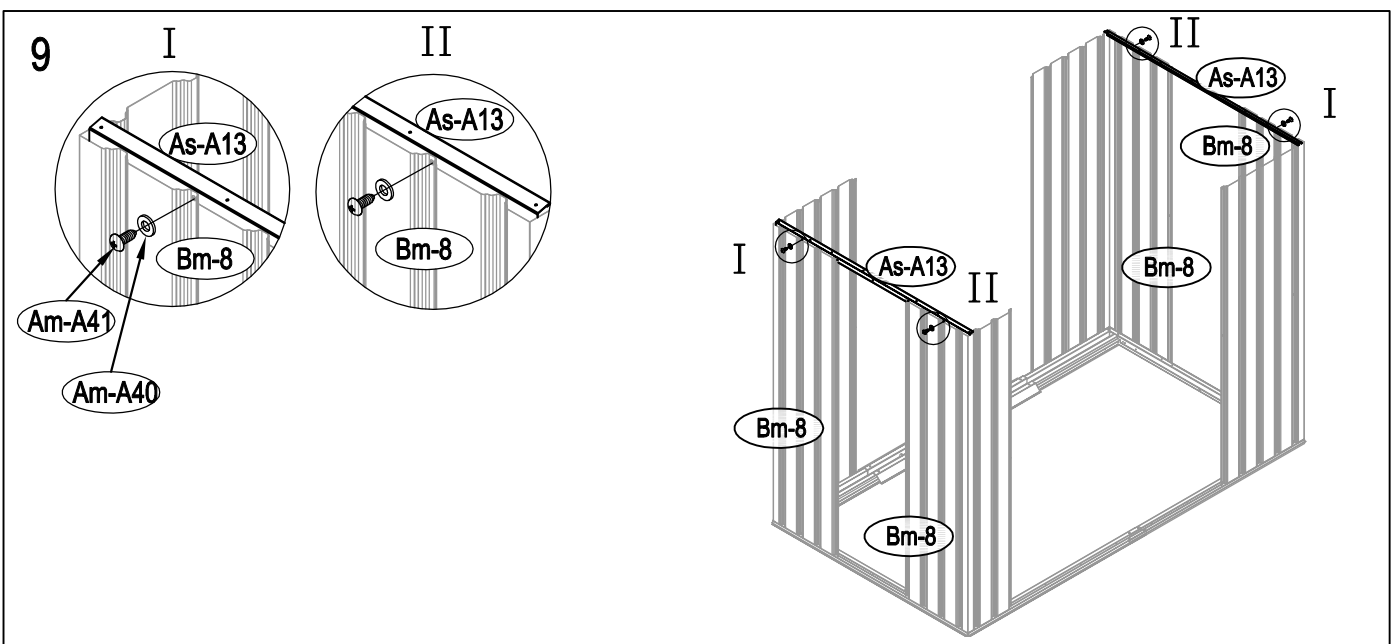
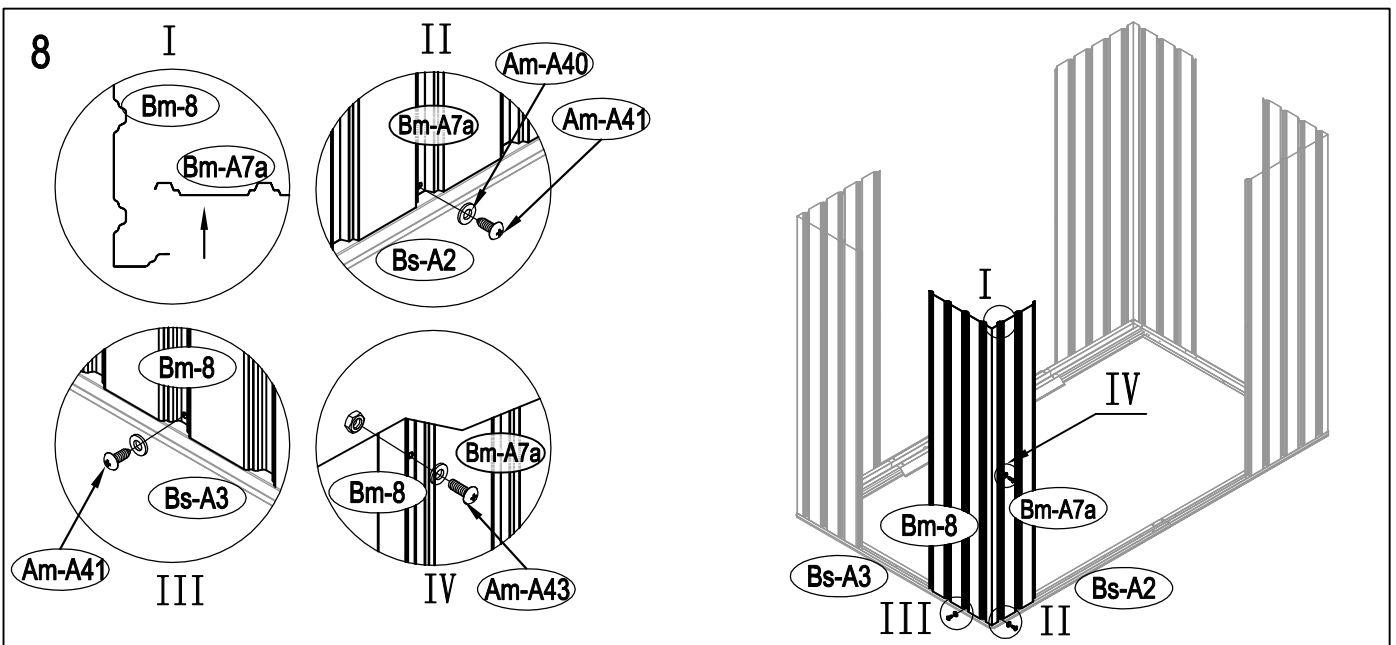
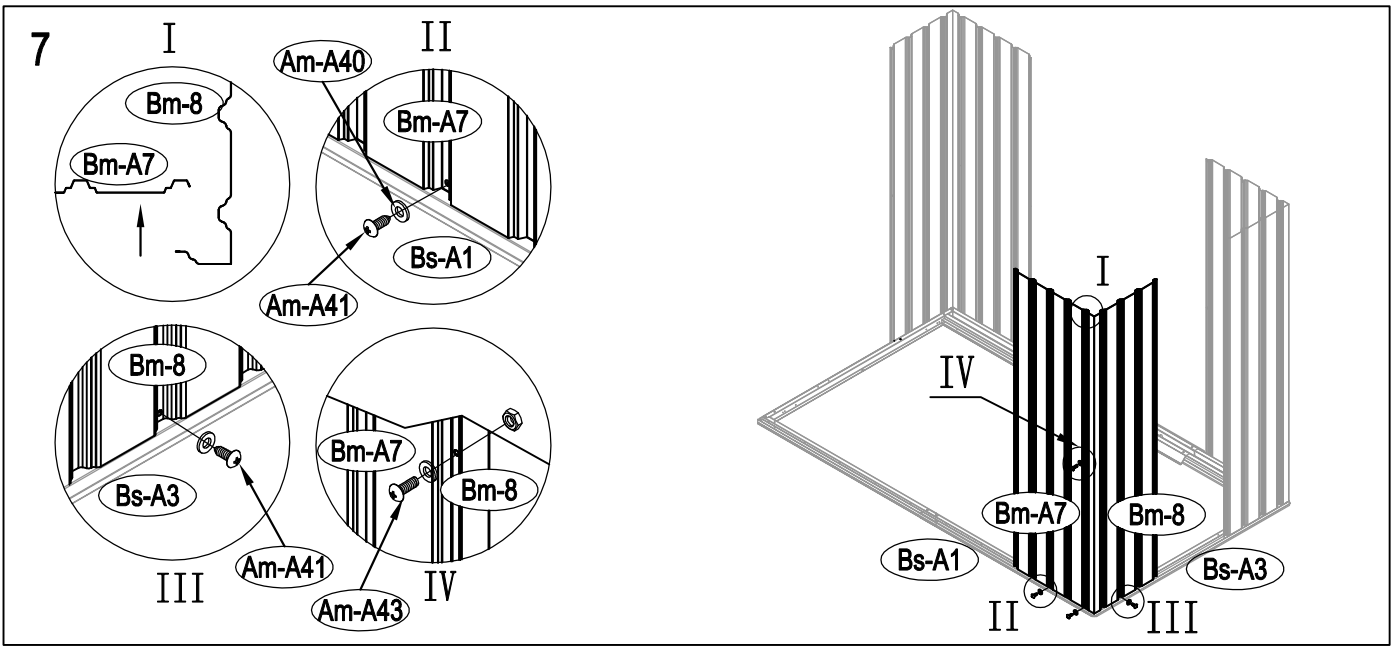


NO.	IMAGE	mm	QTY	NO.	IMAGE	mm	QTY
UNDER				DOOR			
Bs-A1		1055	x1	Bm-A30		1543	x1
Bs-A2		1074	x1	Bm-A35		1543	x1
Bs-A3		1174	x2	Bm-31		1483	x2
Bs-A4		590	x1	Bm-A32		876	x4
Bs-A5		590	x1	Bs-A33		486	x1
Bs-A6		958	x1	Bs-A34		486	x1
MIDDLE				Bs-A36		486	x1
Bm-A7		1548	x8	Bs-A37		486	x1
Bm-A7a		1548	x1	ANNEX			
Bm-8		1548	x4	T-P1			x4
Bs-A9		995	x1	T-P2			x4
Bs-A10		995	x1	T-P3			x4
Bs-A11		873	x1	T-P4			x2
Bs-A12		1190	x1	TP5A			x4
As-A13		1168	x2	T-P6			x2
Bm-16		1548	x1	T-P7		200	x1
Bm-17		1548	x1	T-P8			x2
Bs-A18		1044	x1	Am-A40			x154
TOP1				Am-A41		ST4X10	x194
As-A19		995.3	x2	Am-A42		ST4X16	x16
As-A20		995.3	x2	Am-A43		M4X10	x70
As-A22		1174	x4	Am-A44			x64
T-A29		120	x2			40mm	x1
T-A29a		120	x2				x2
TOP2				V-A1		1024	x5
Am-A23		1090	x2	V-A2		512	x2
Am-A24		1090	x2				
Am-A24b		1090	x1				
Am-A25		1090	x2				
Am-A24p		1090	x1				
Am-26		1296	x2				
As-A38		1088	x2				
As-A39		1088	x2				
Am-A28		1298	x1				

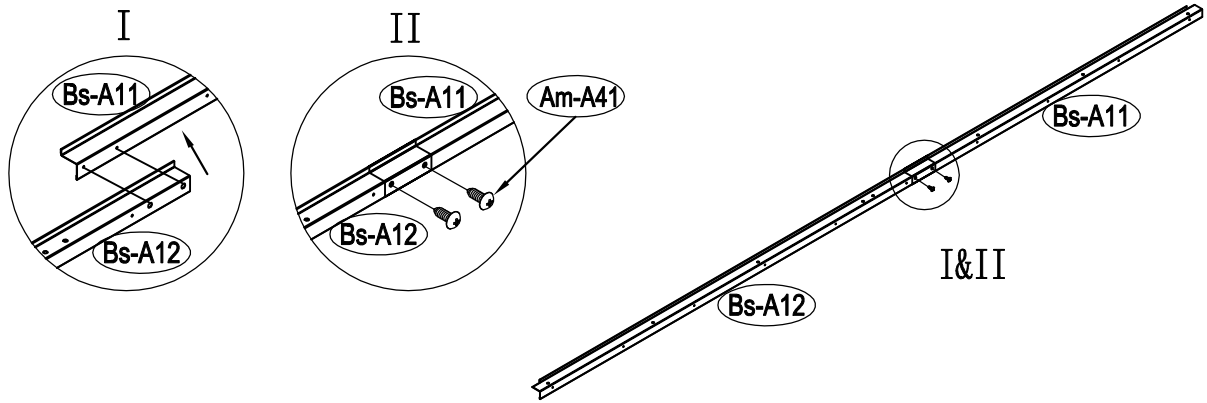




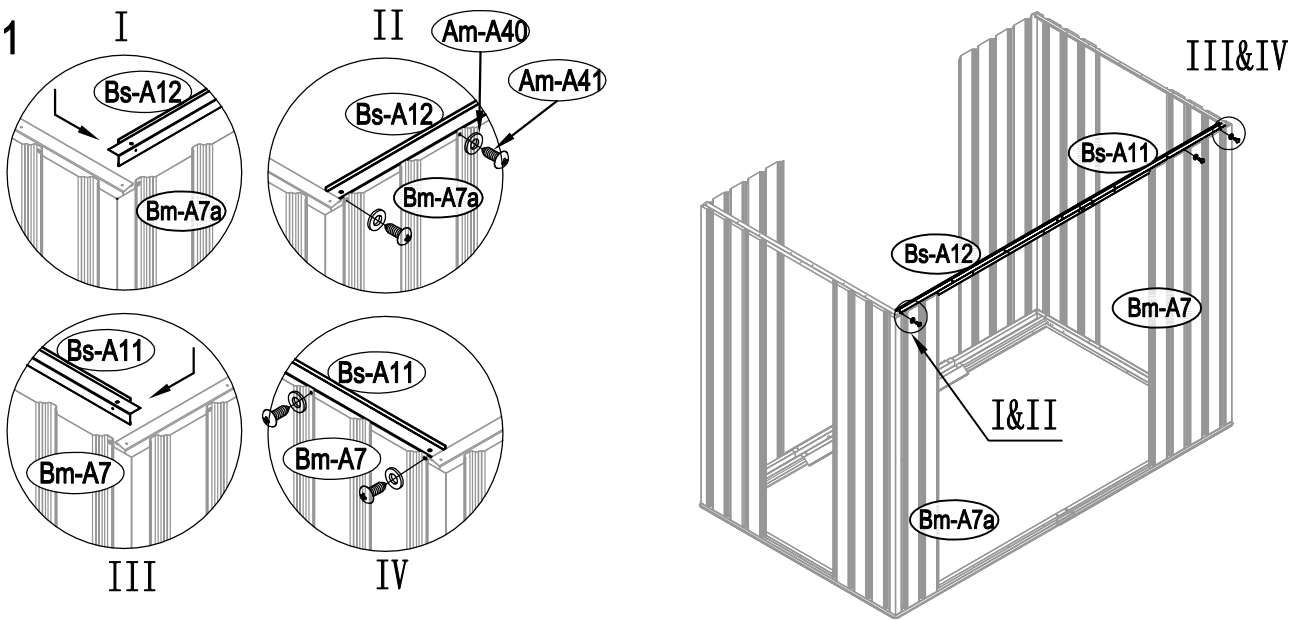




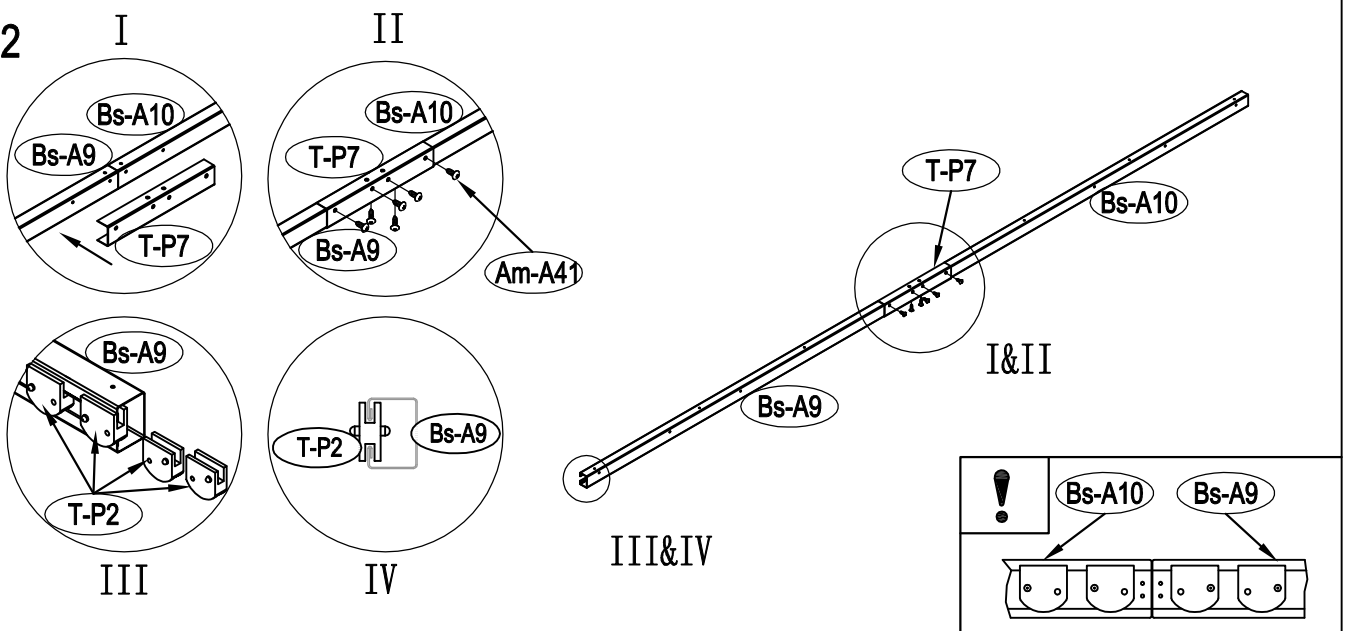
10

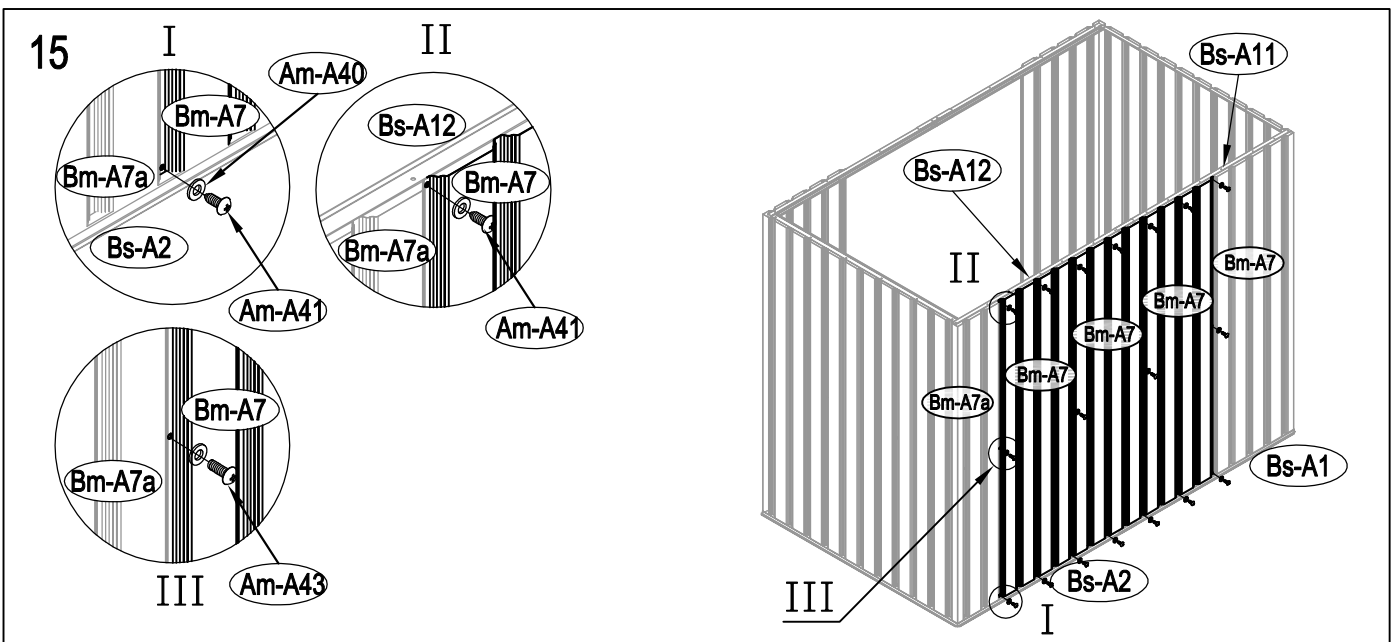
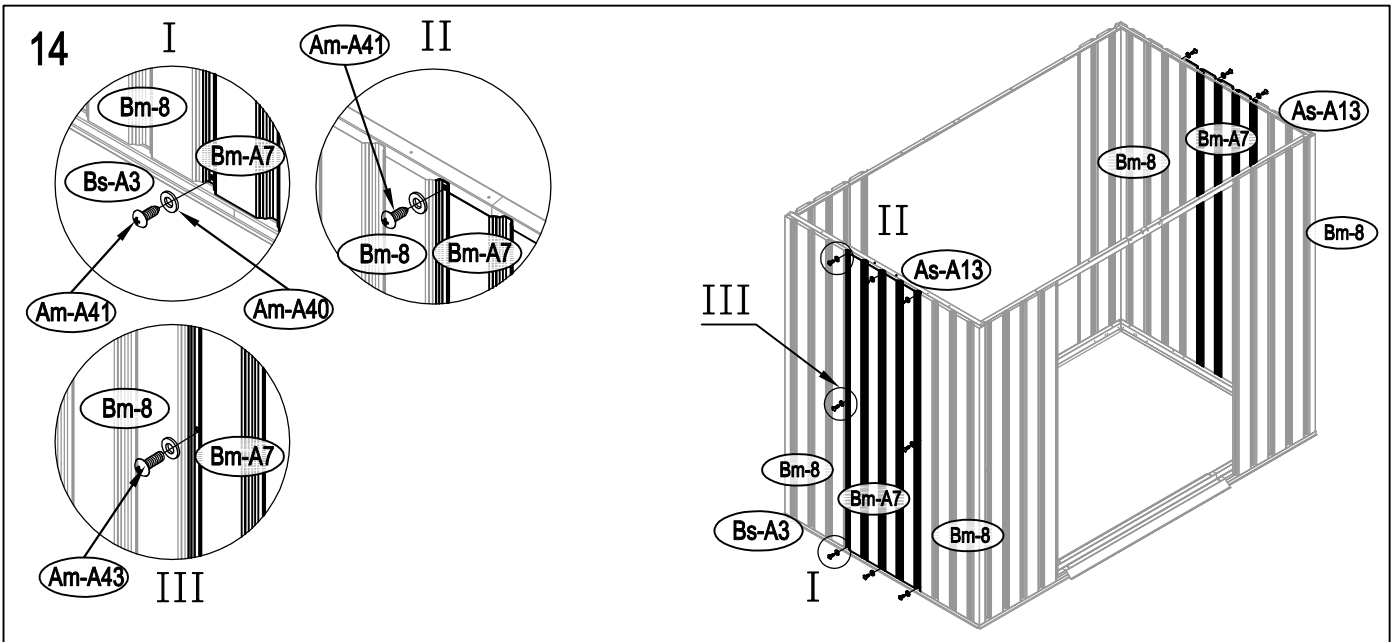
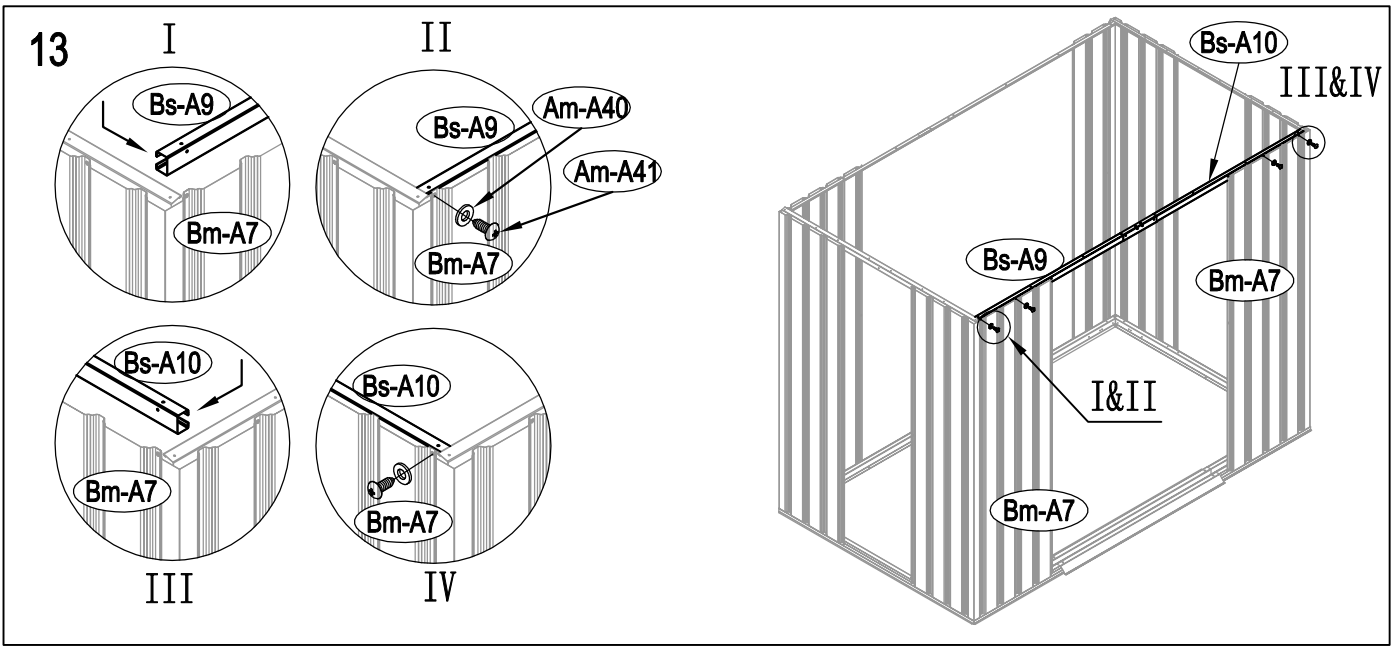


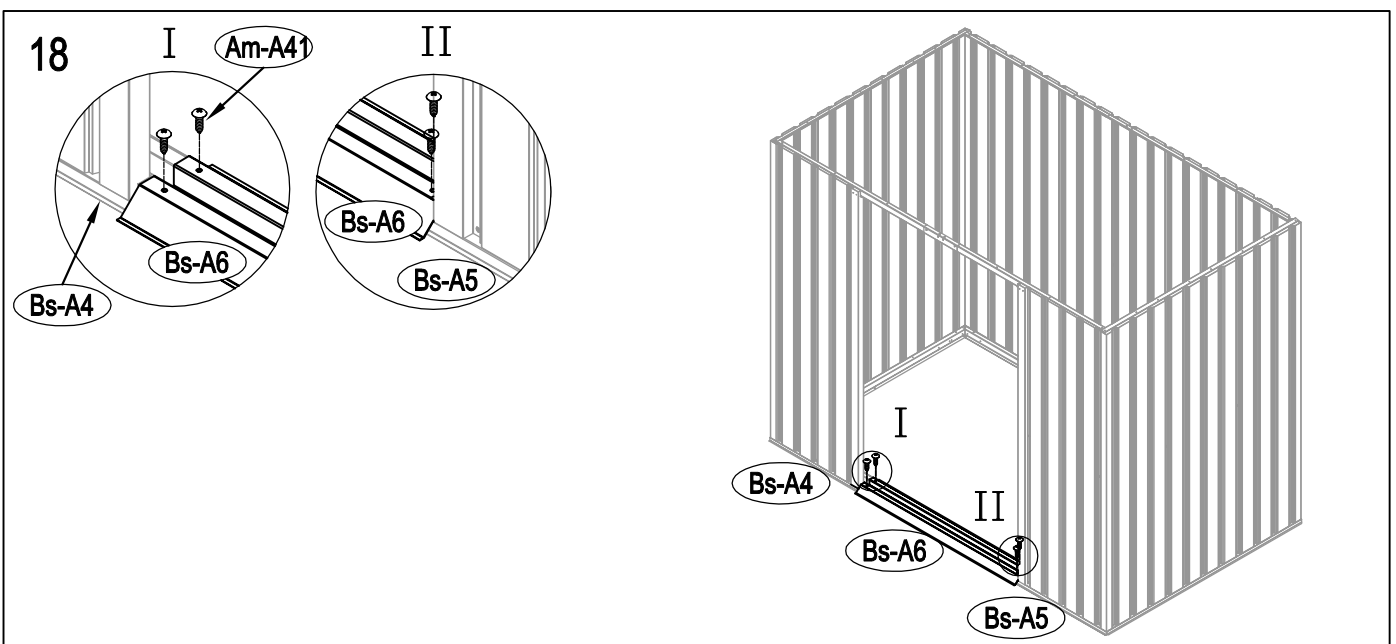
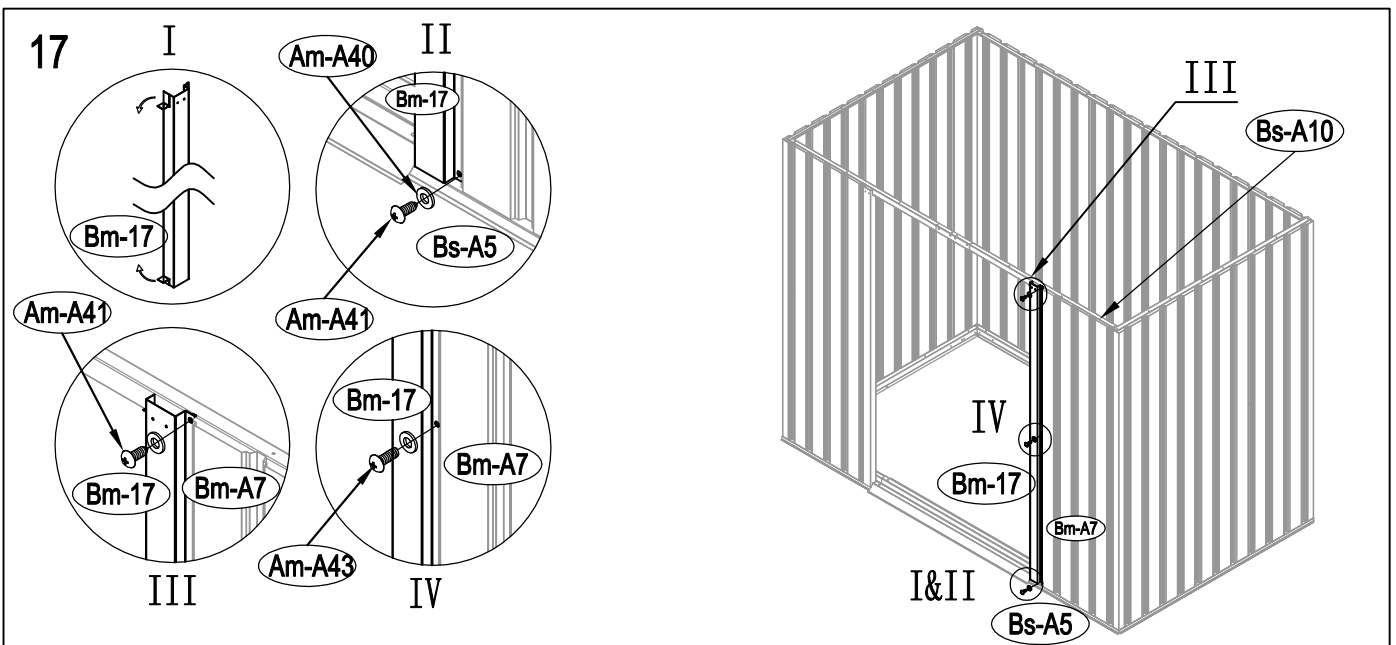
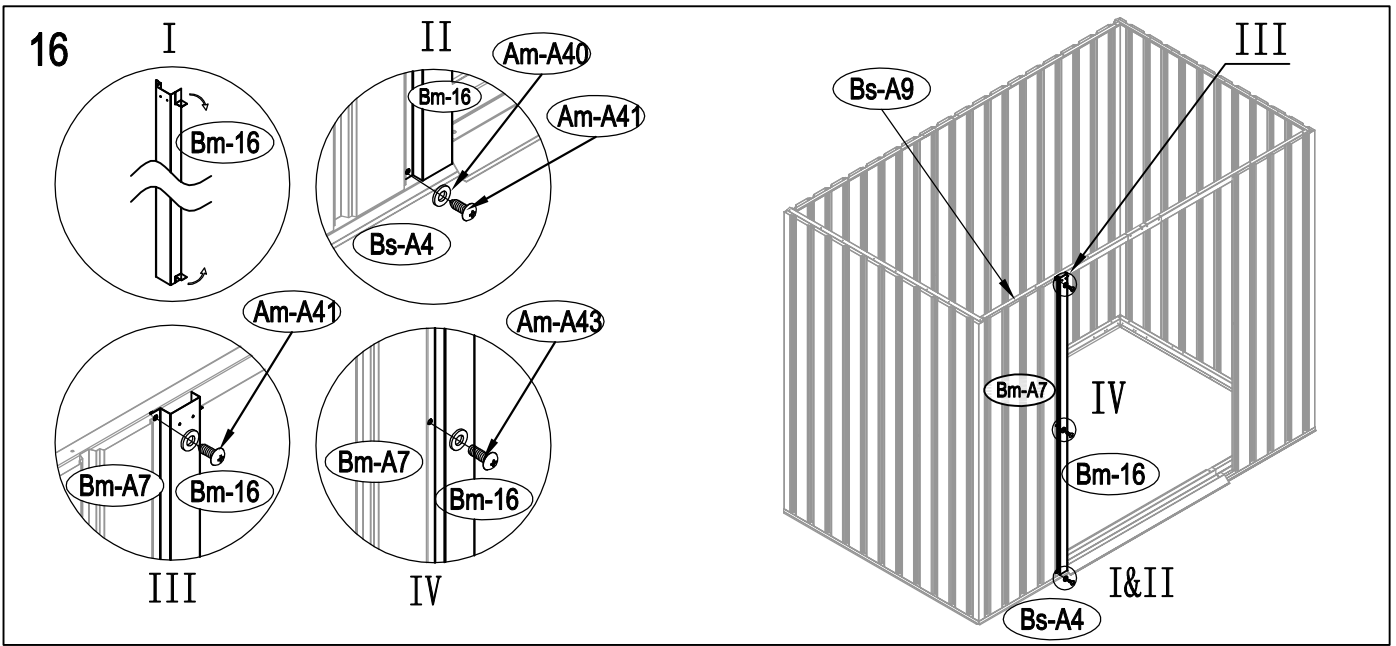
11

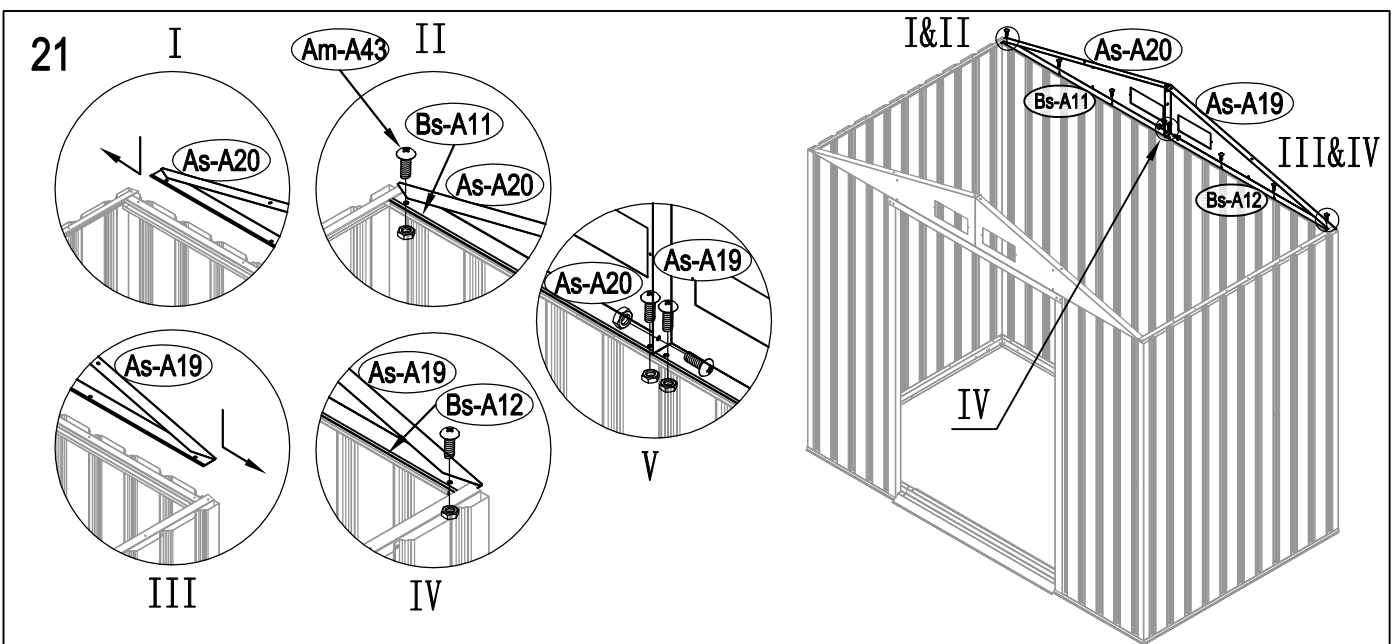
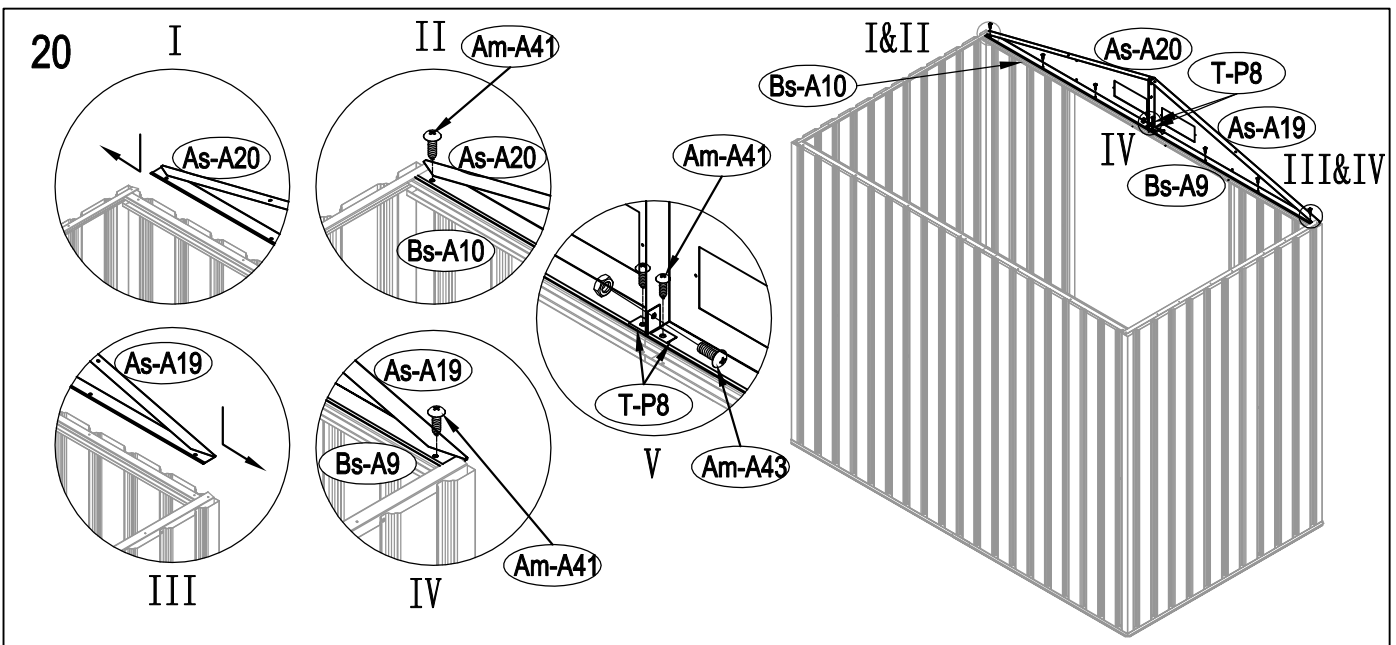
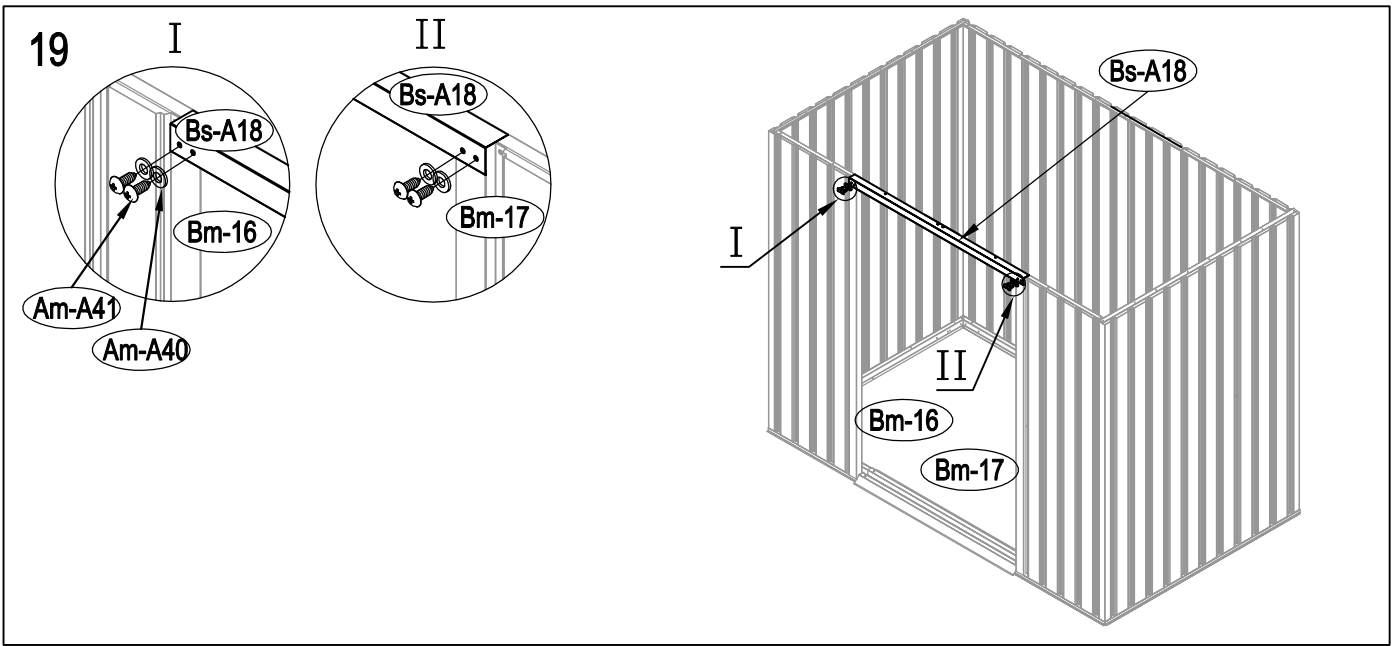


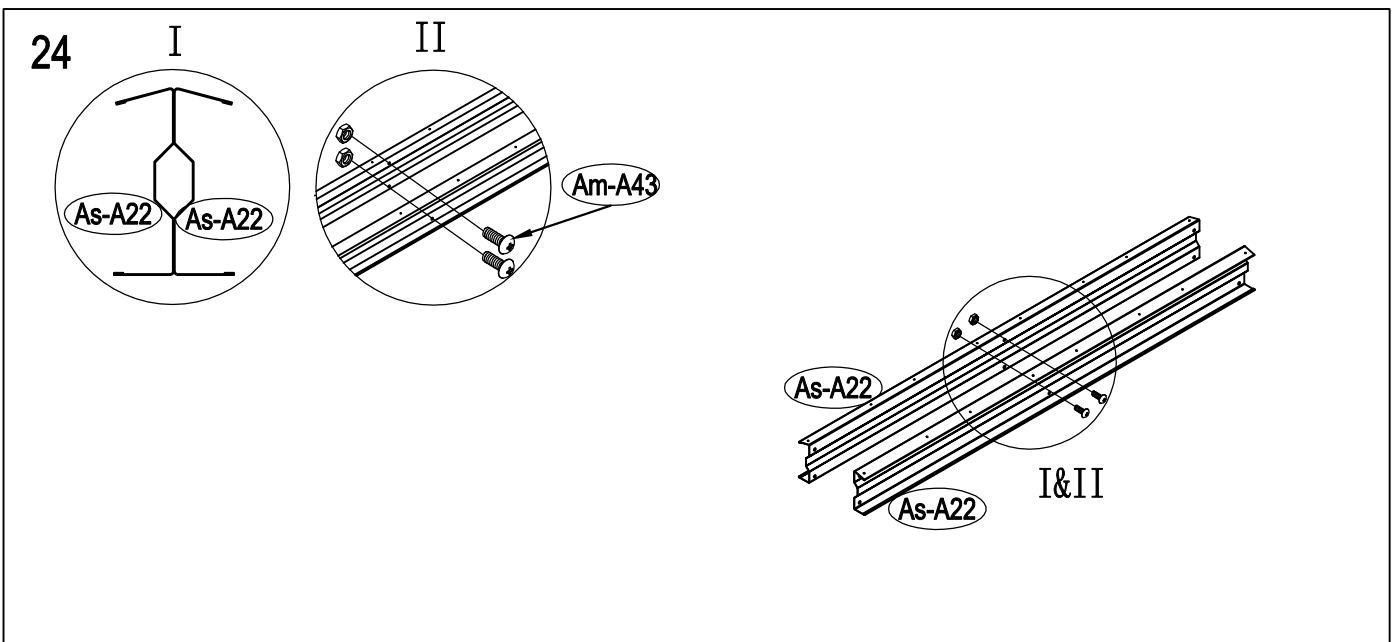
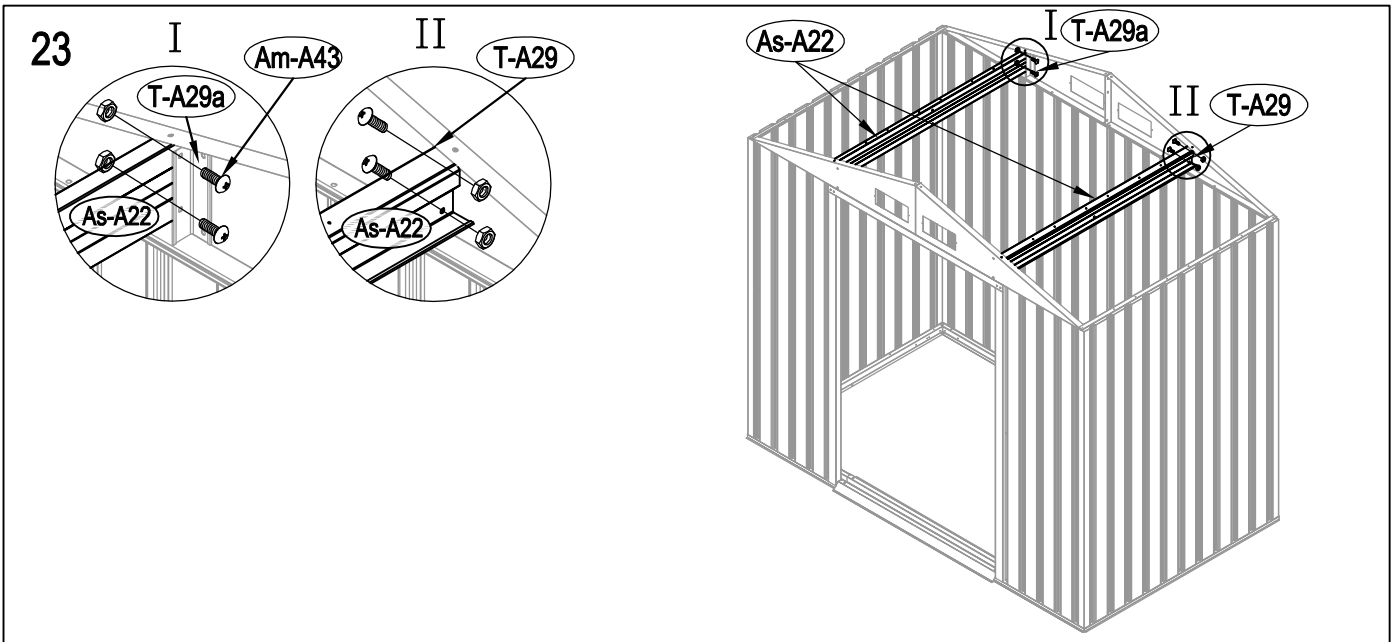
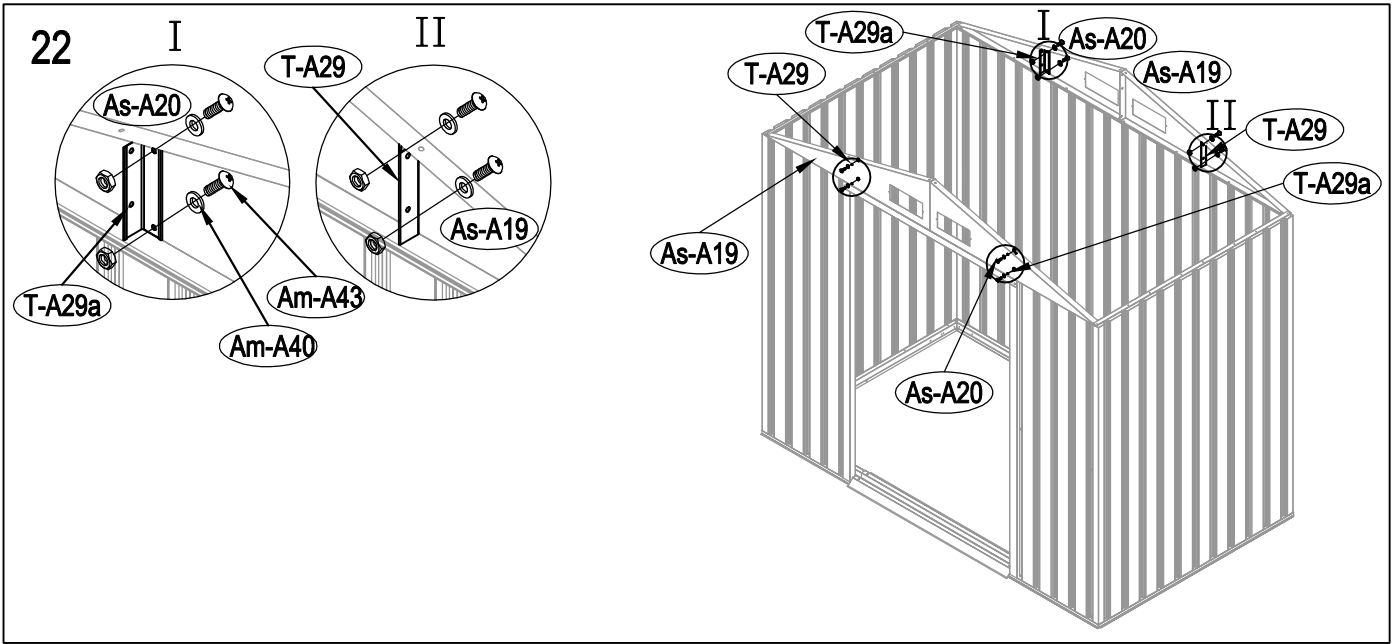
12

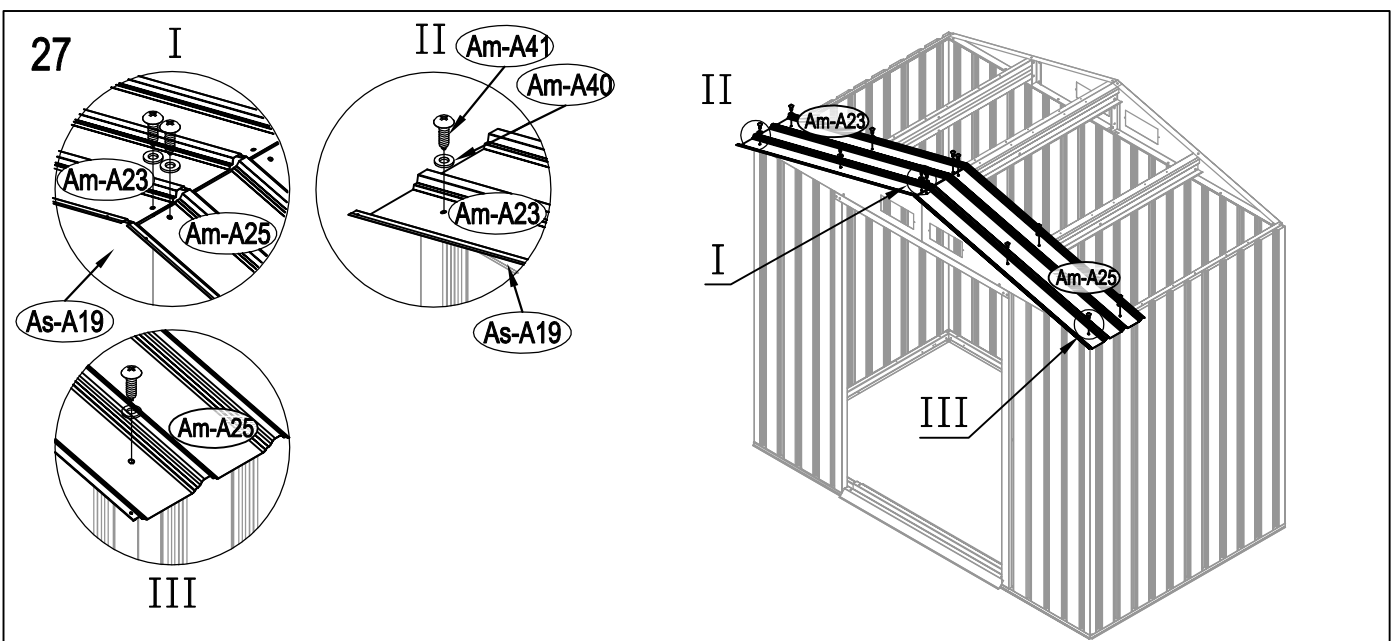
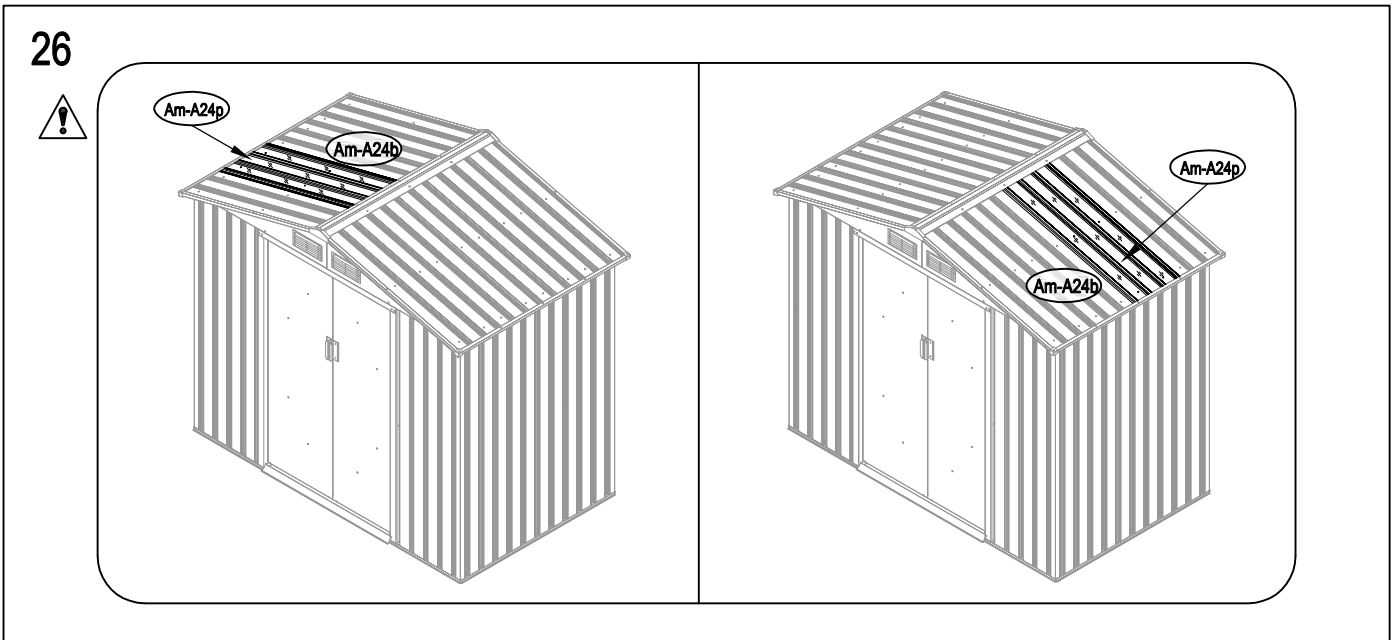
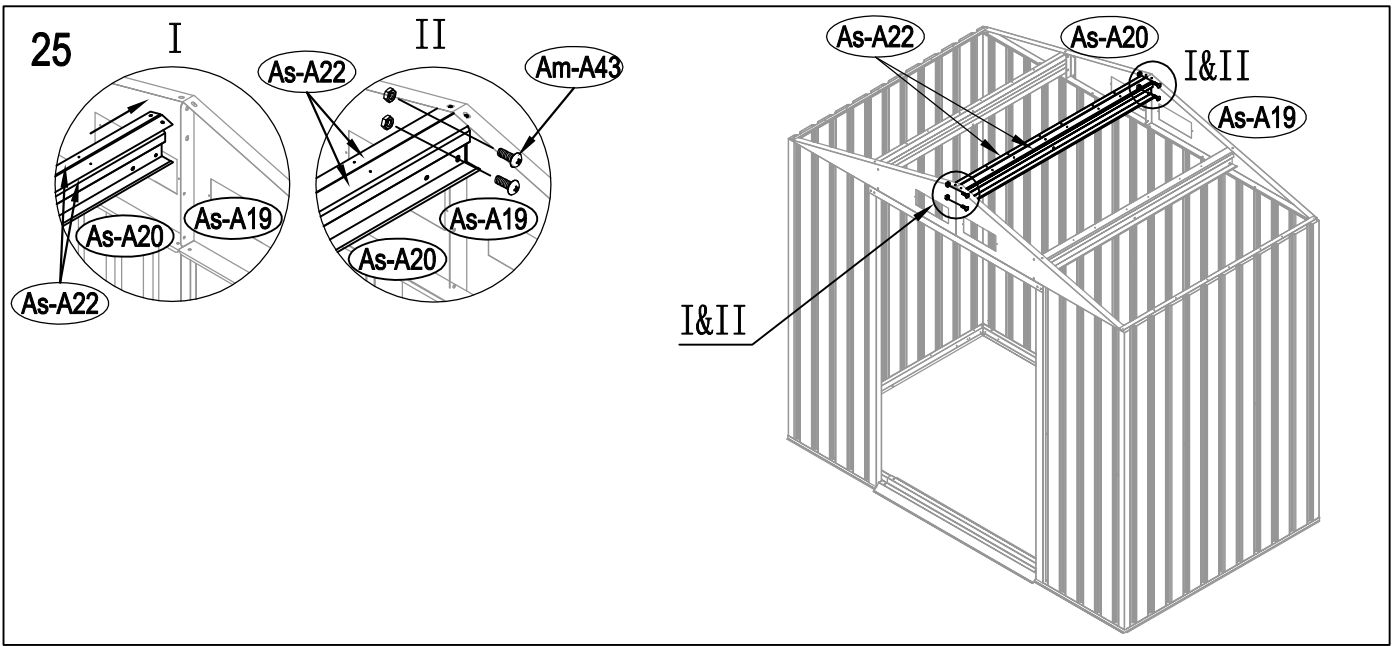


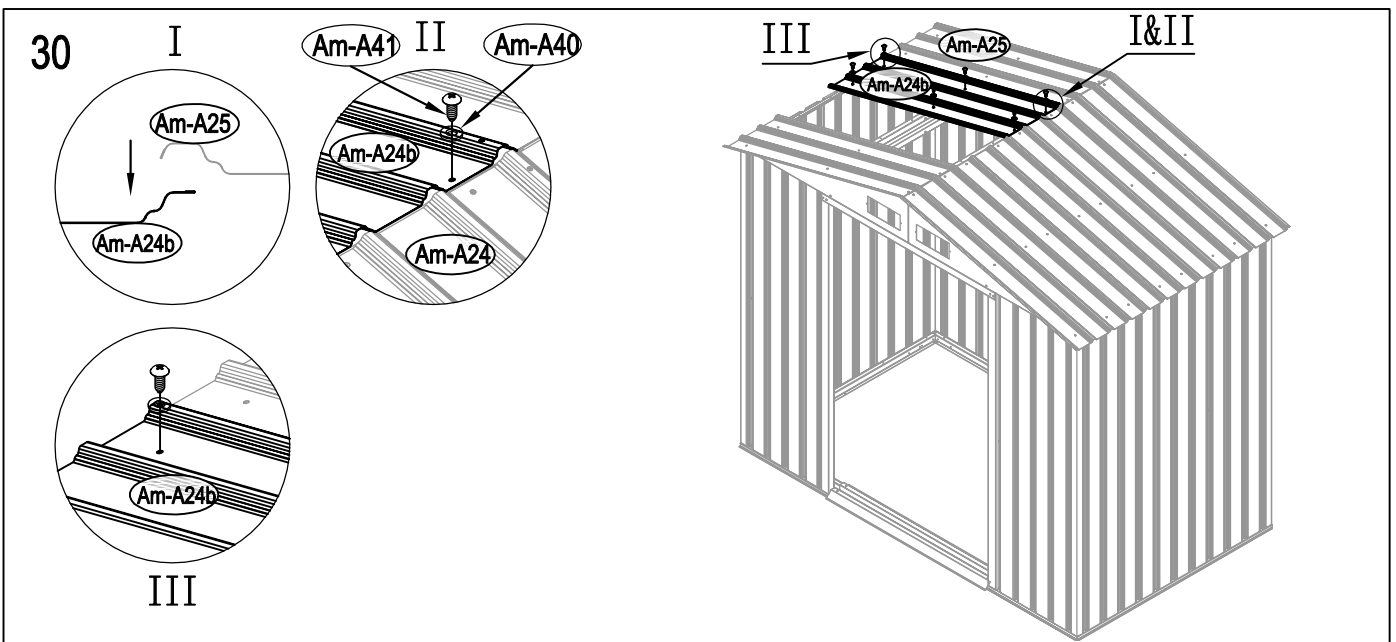
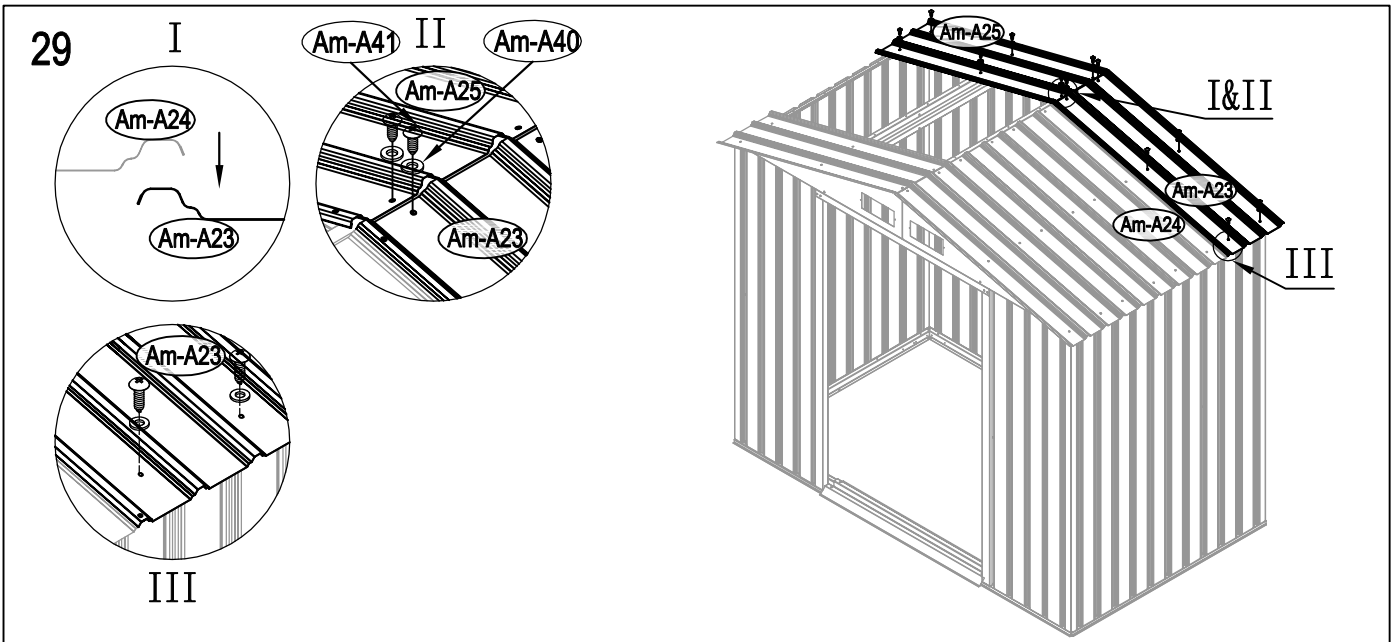
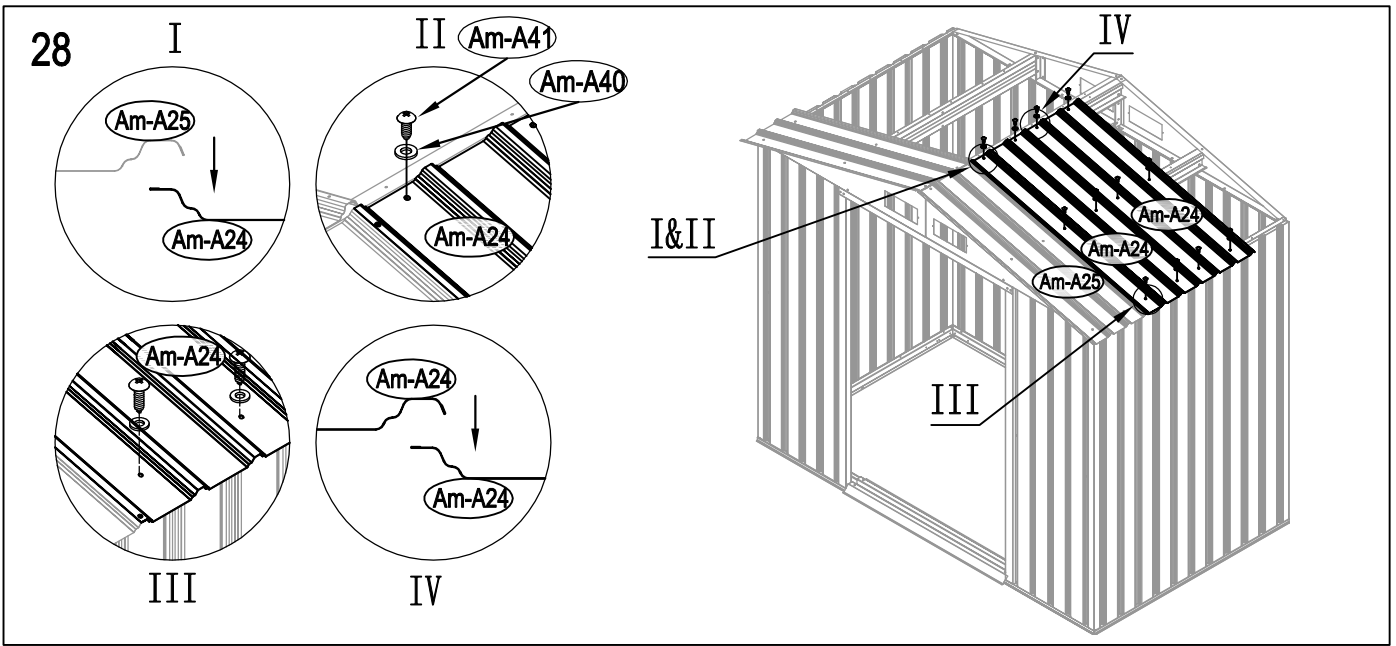


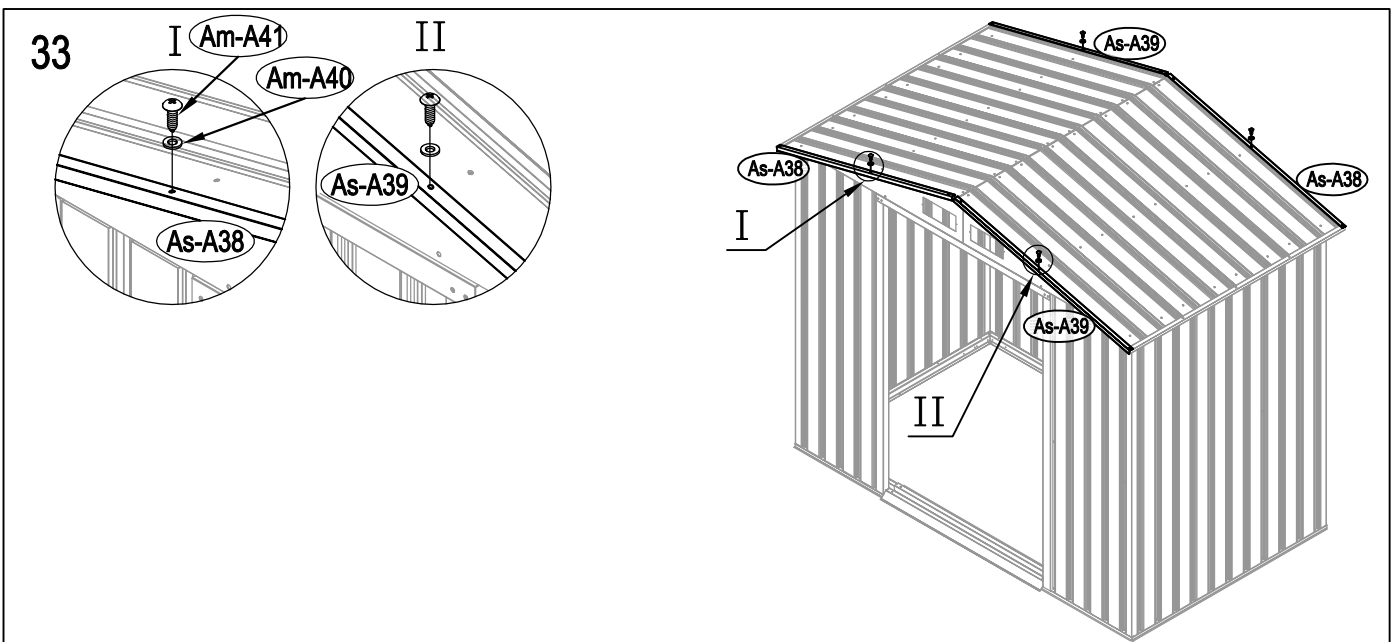
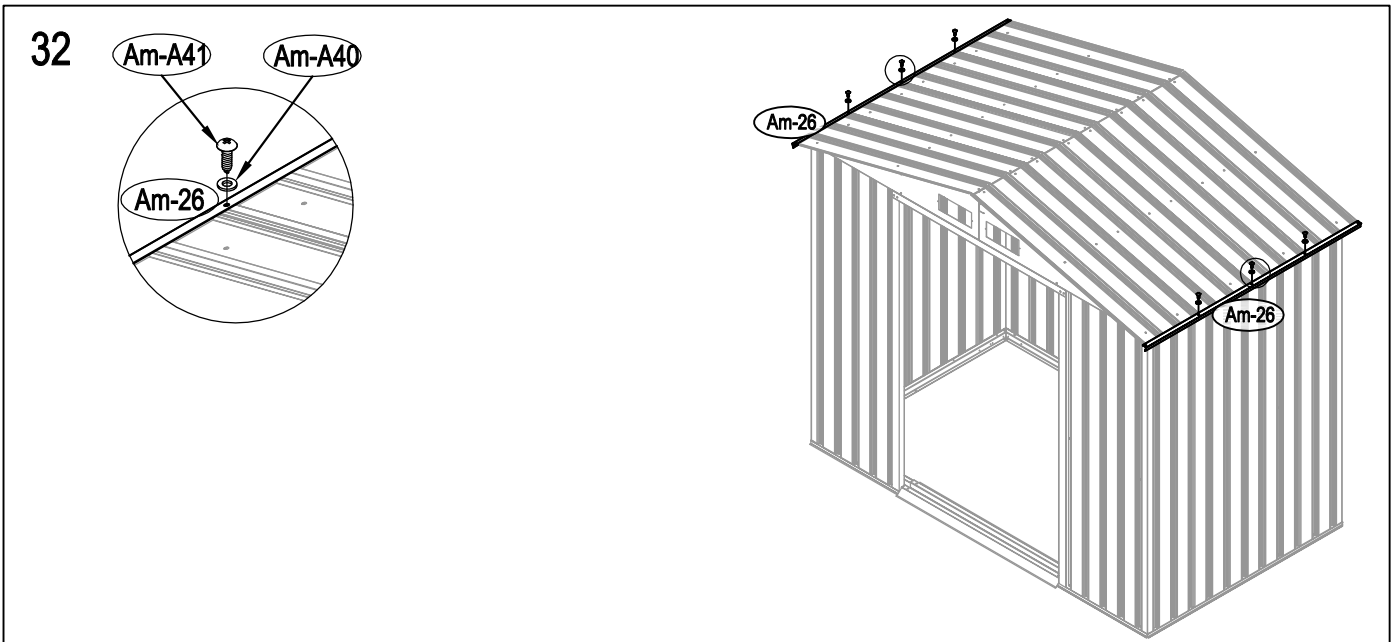
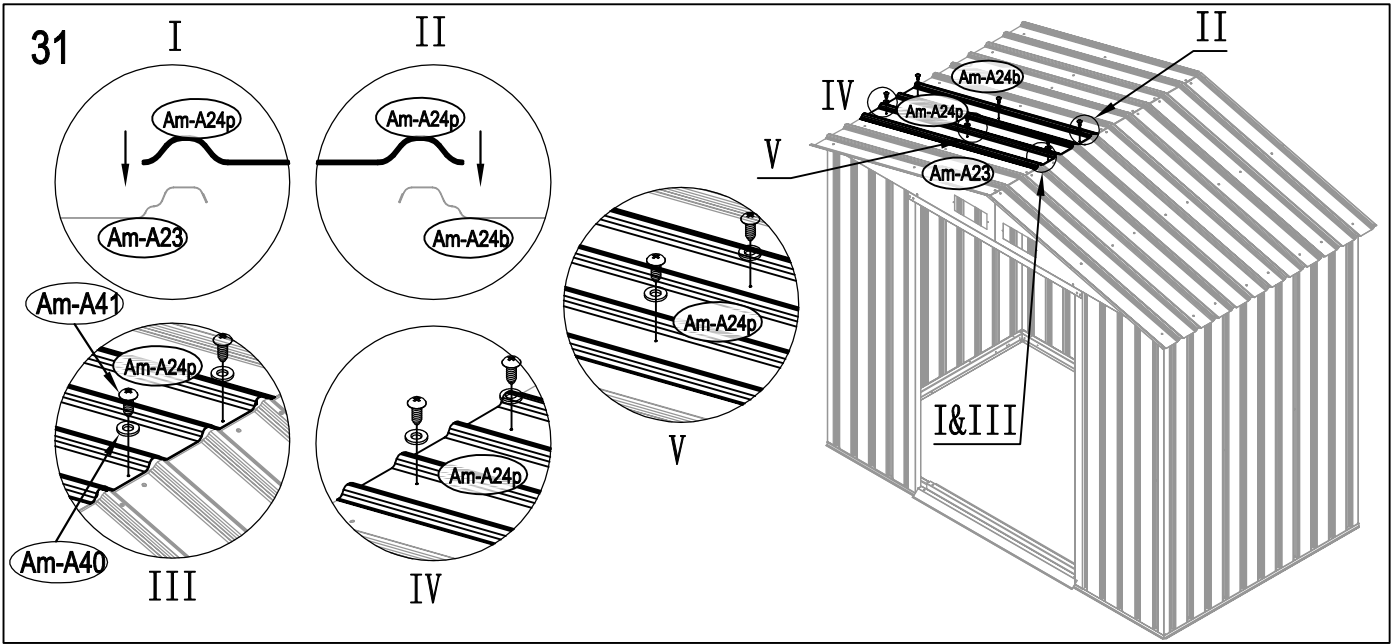


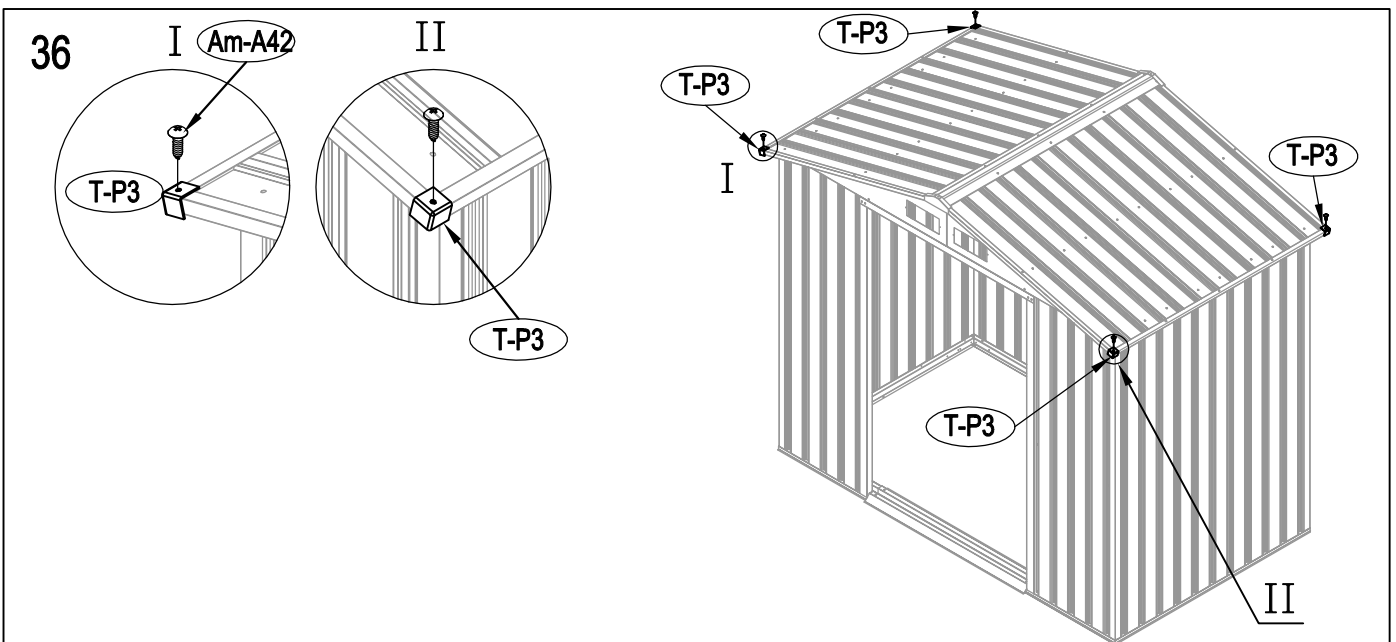
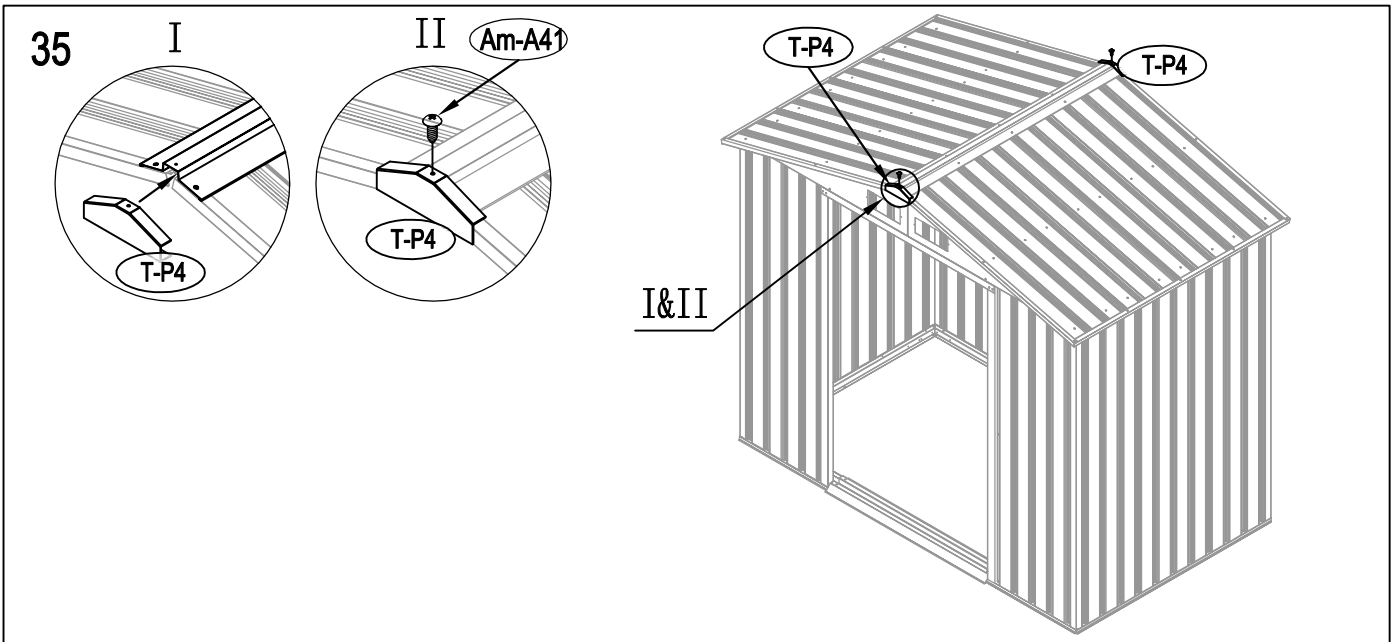
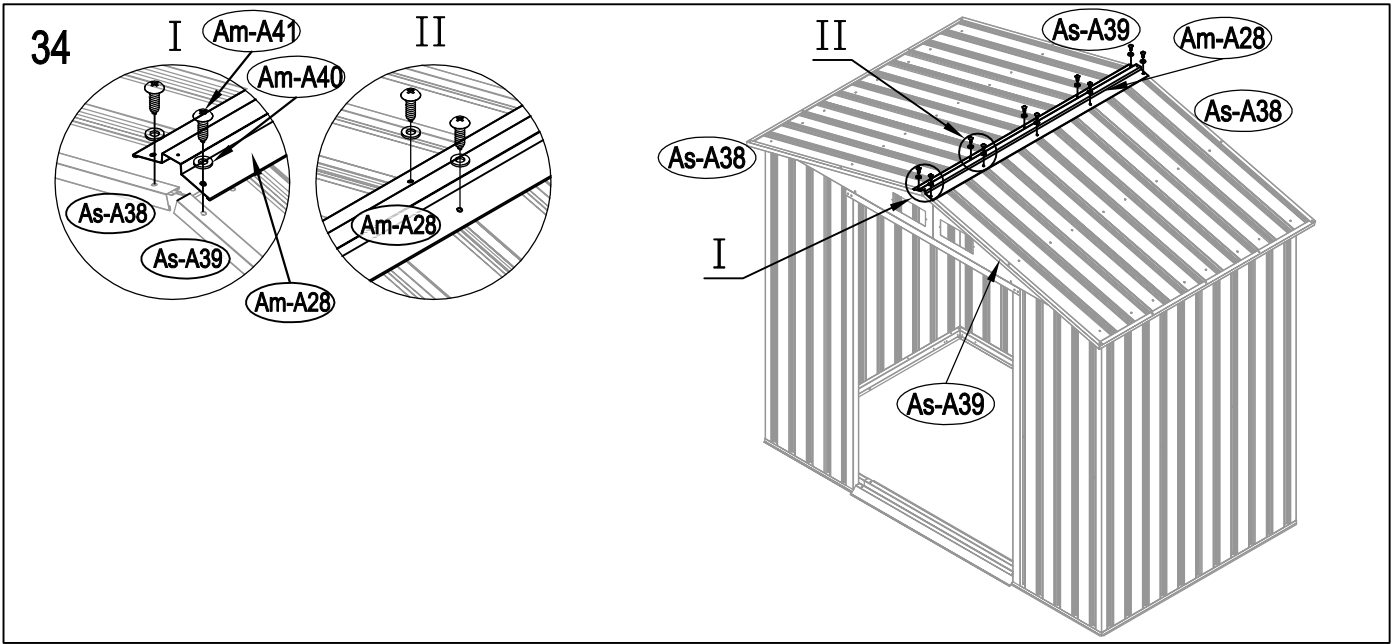


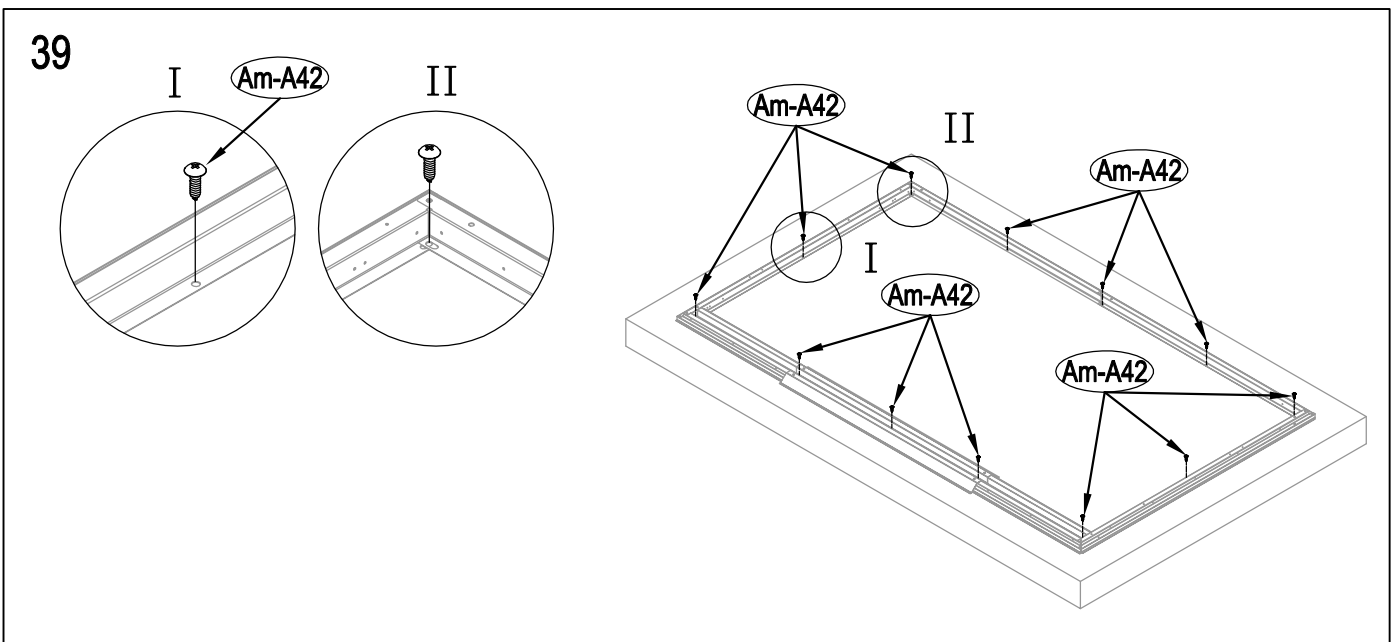
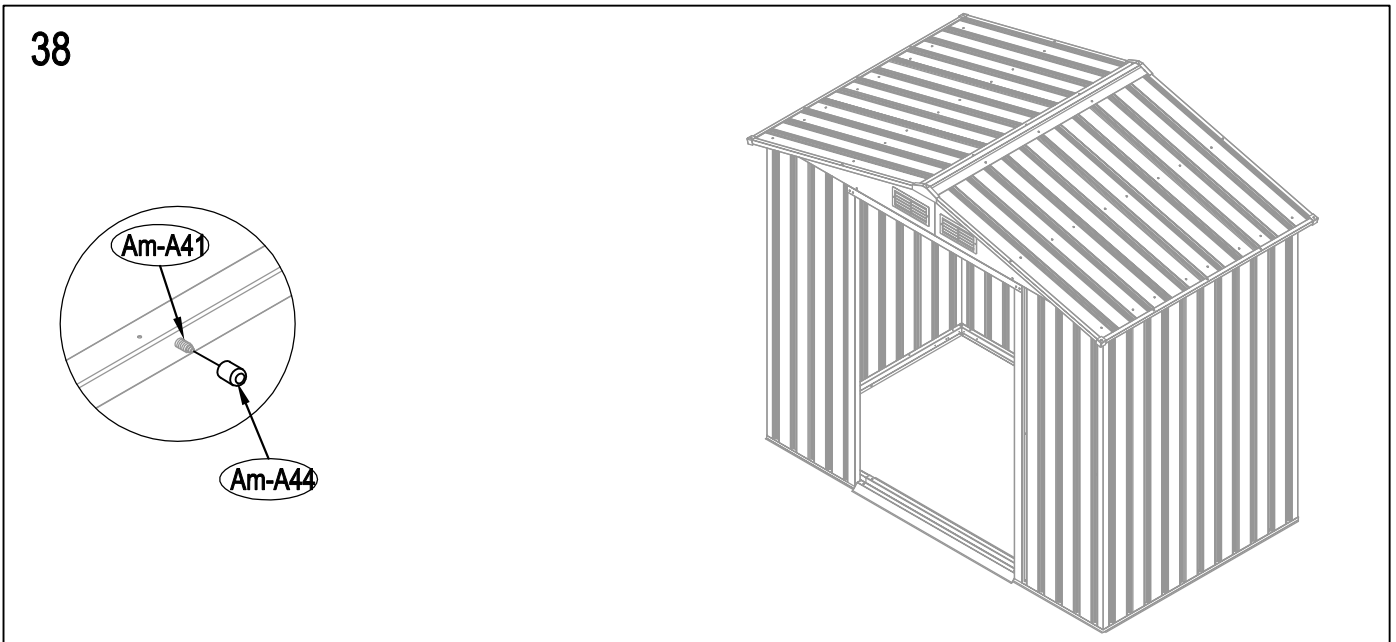
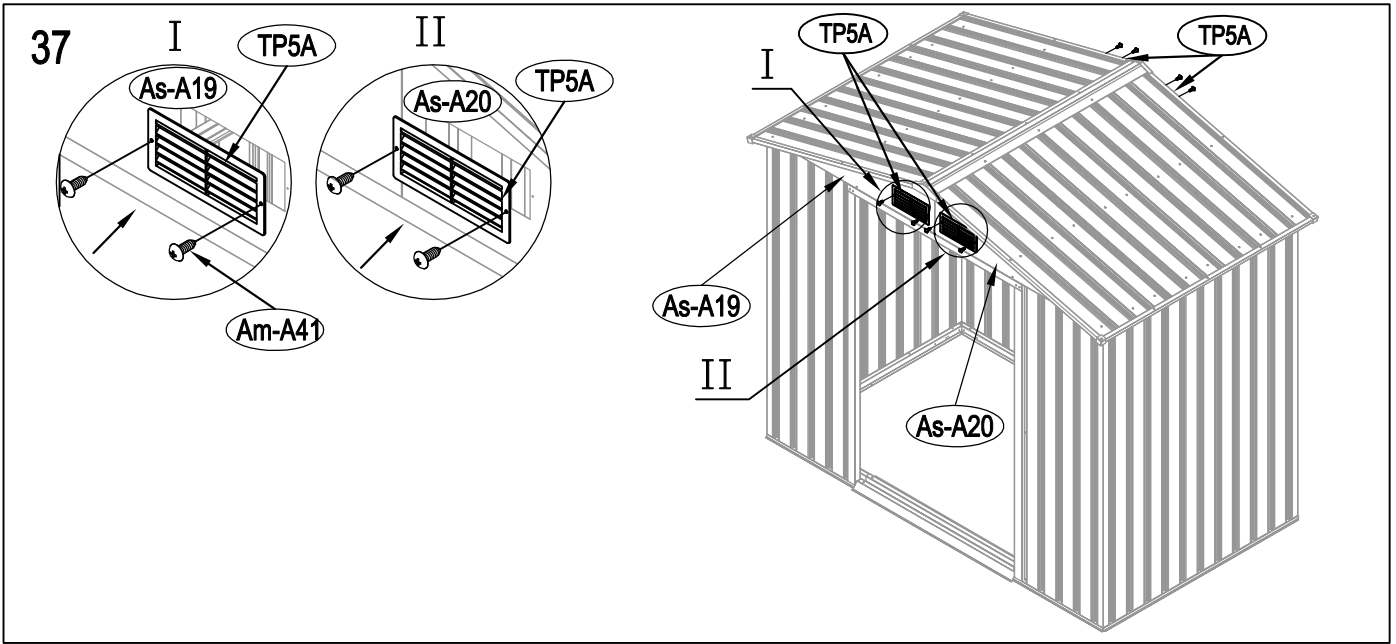


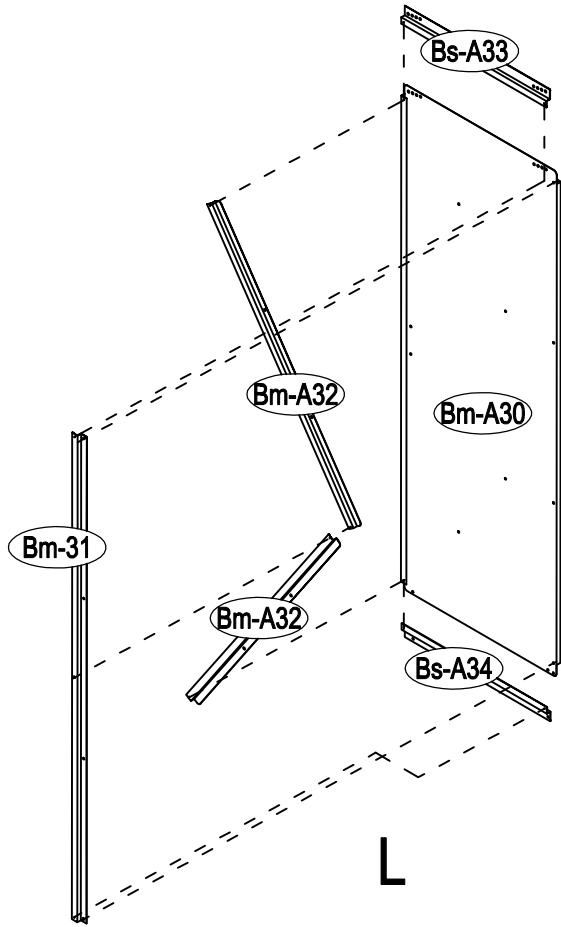




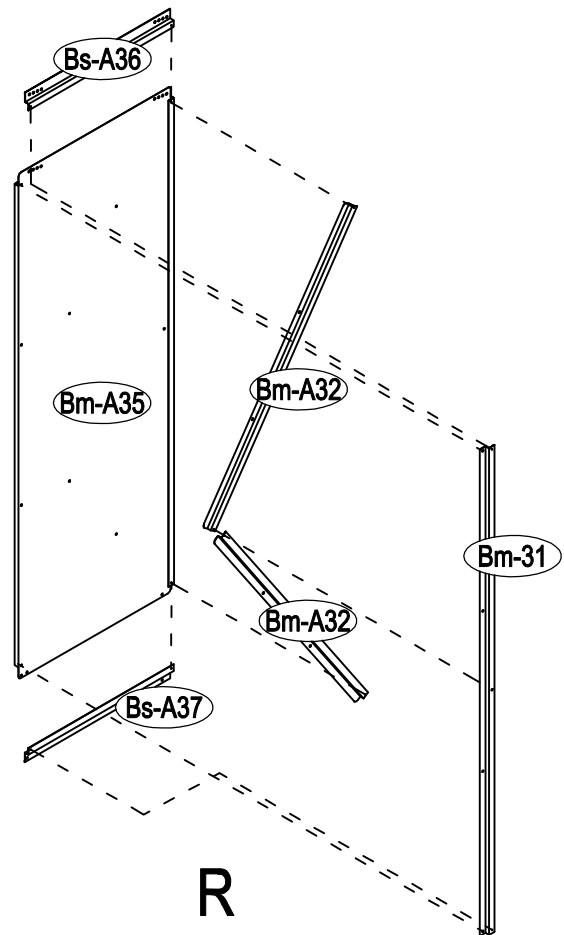






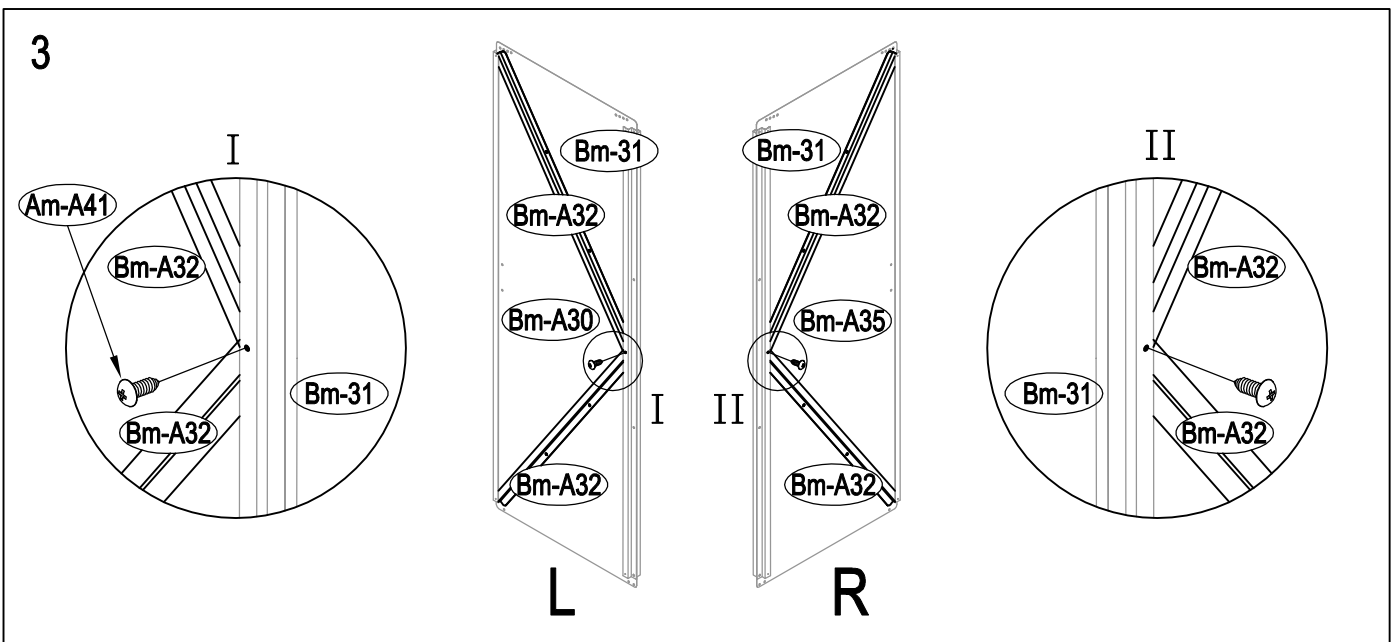
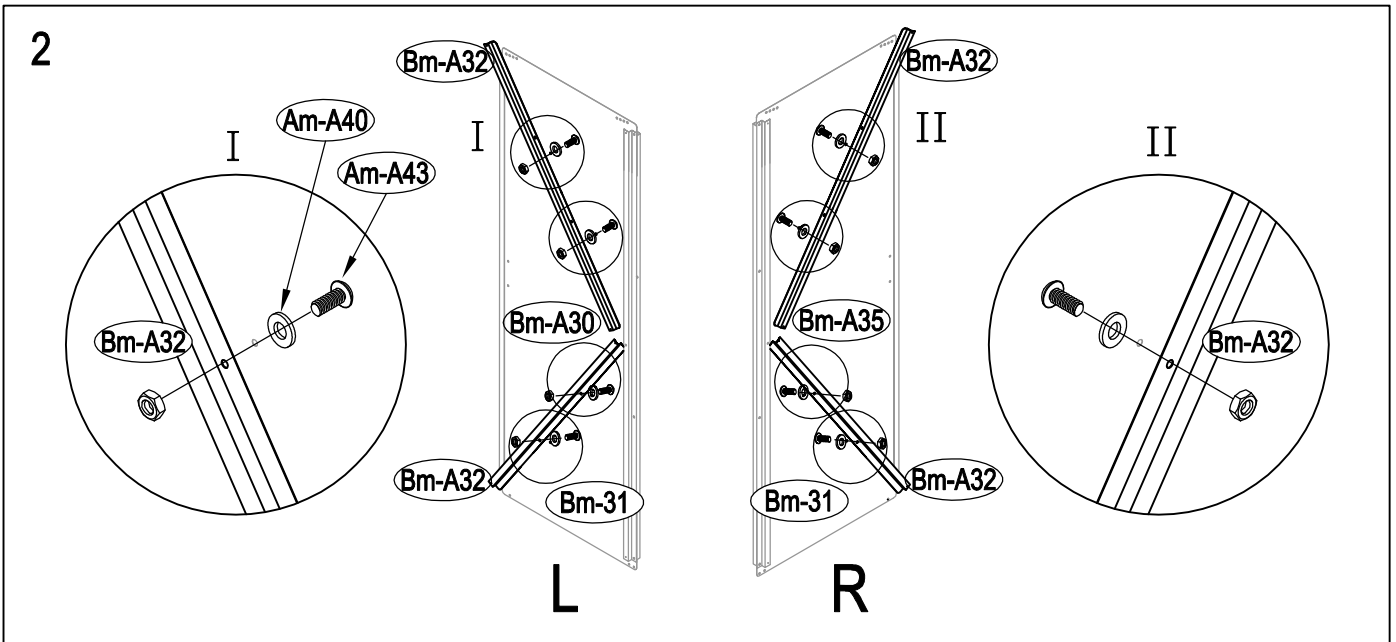
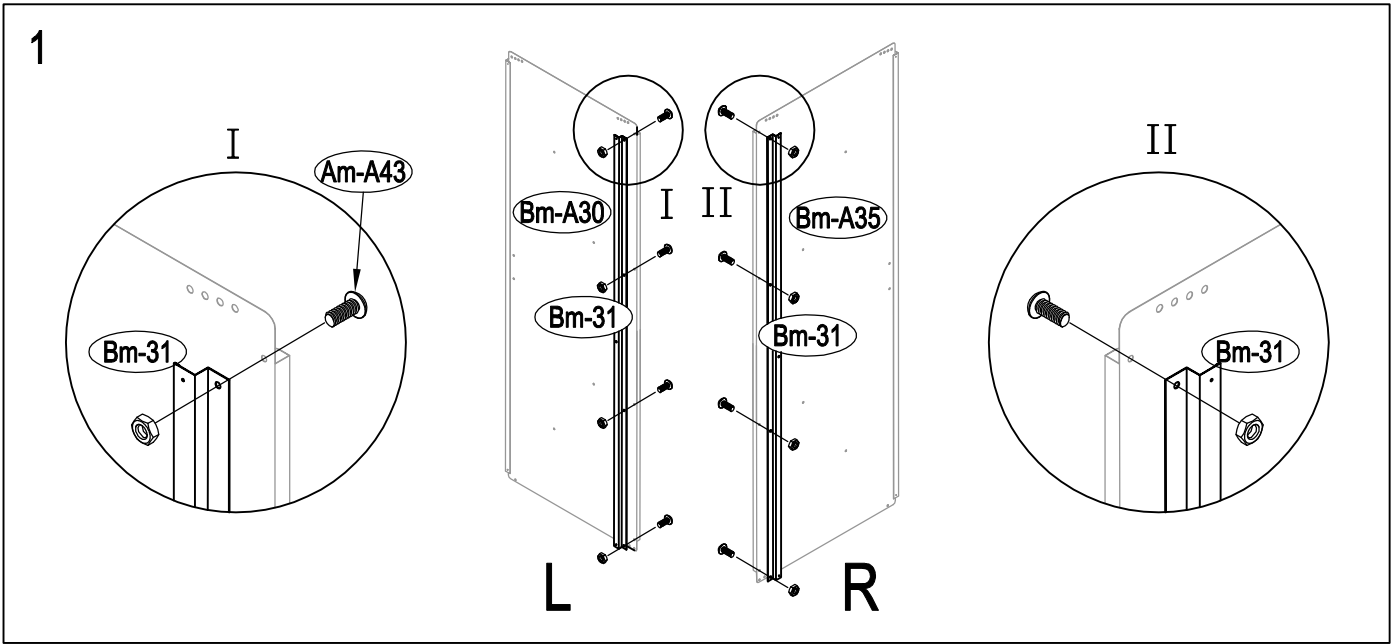


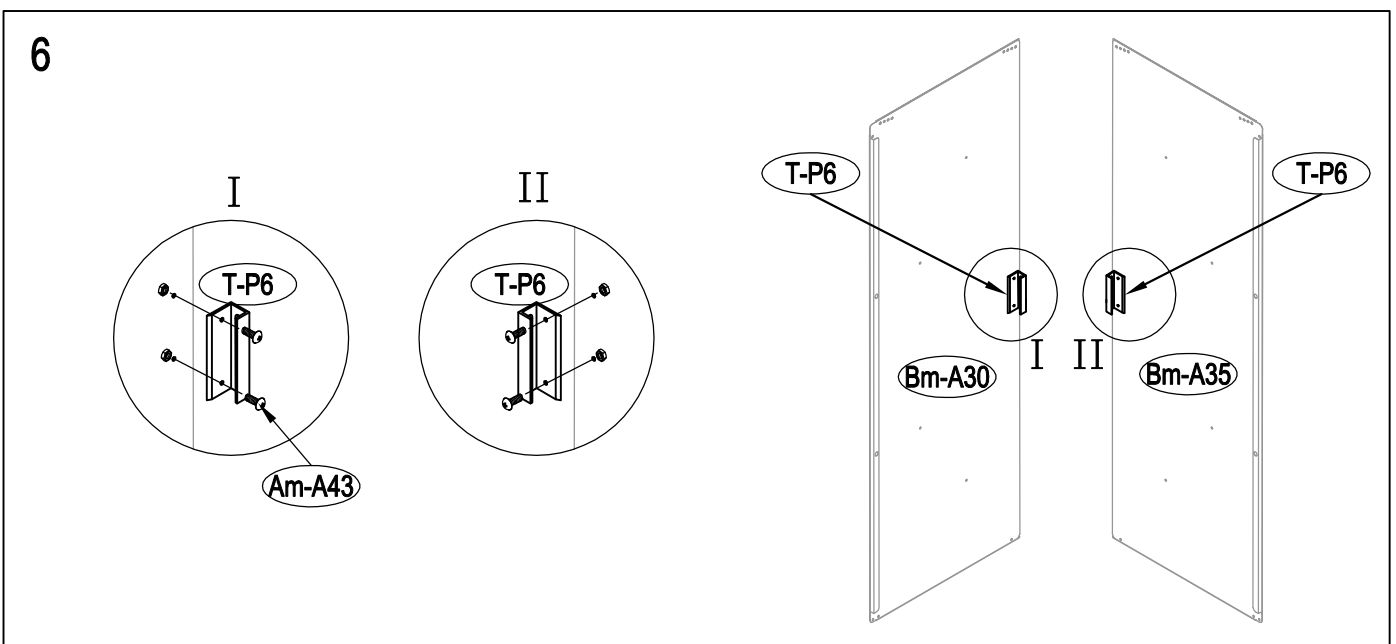
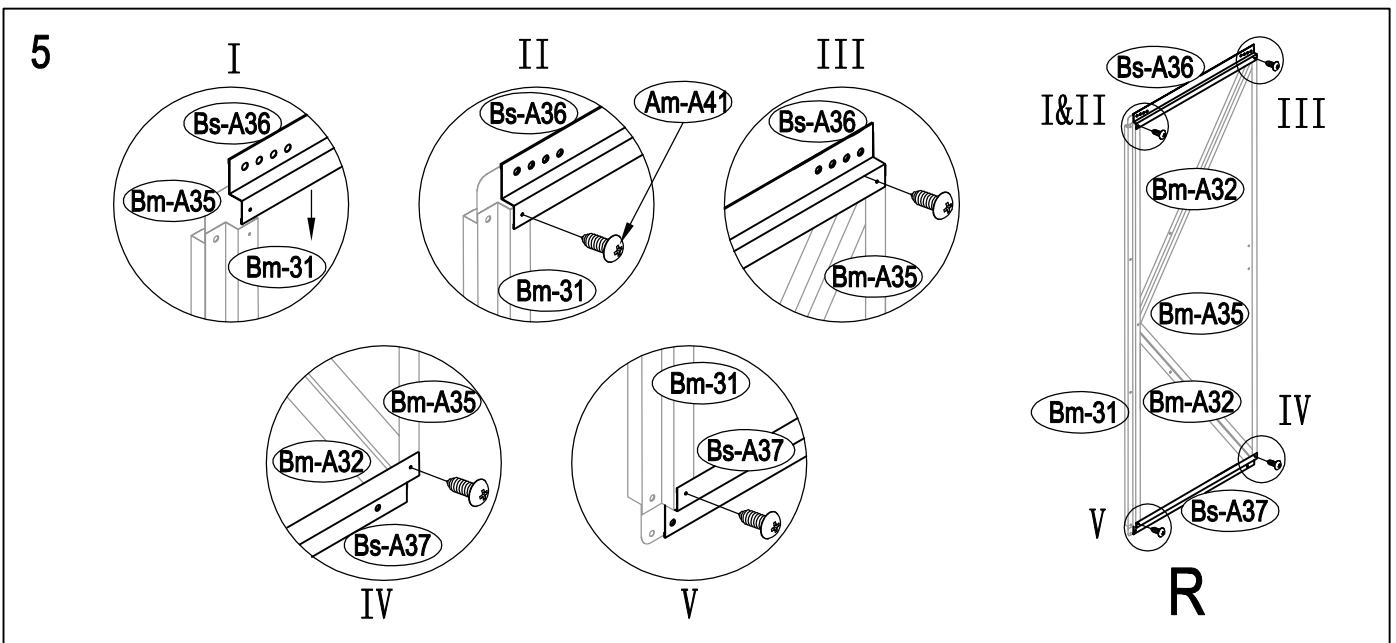
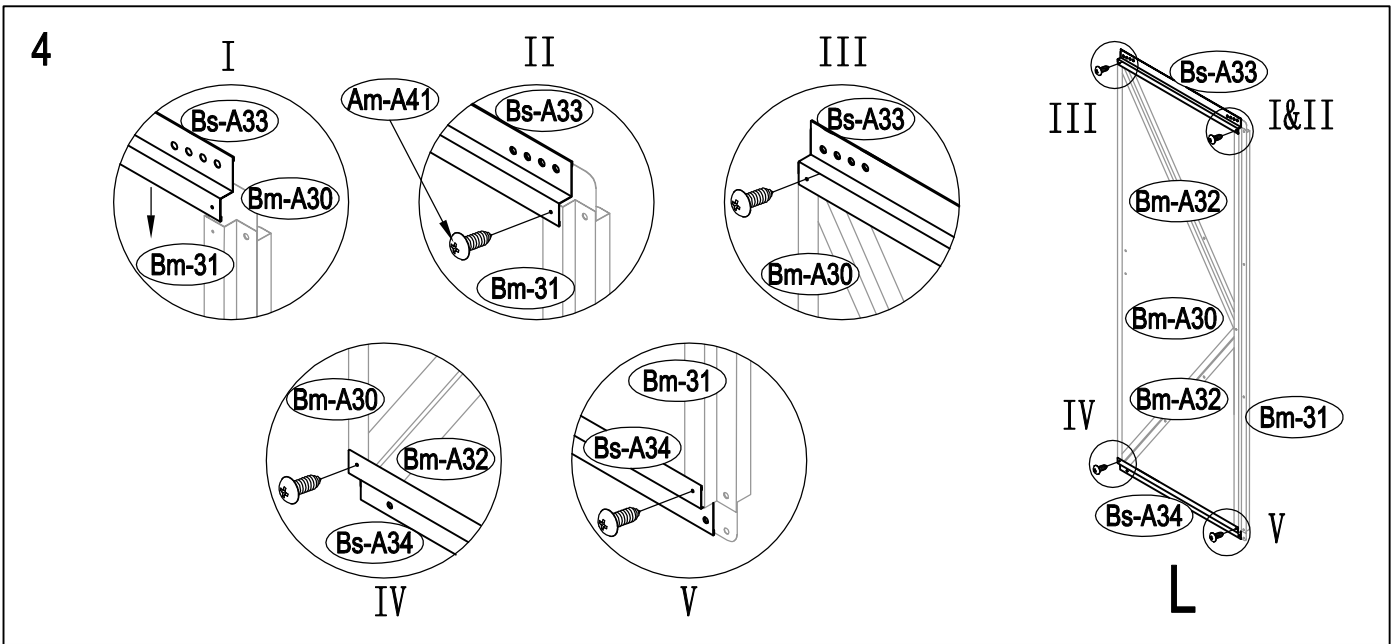
L

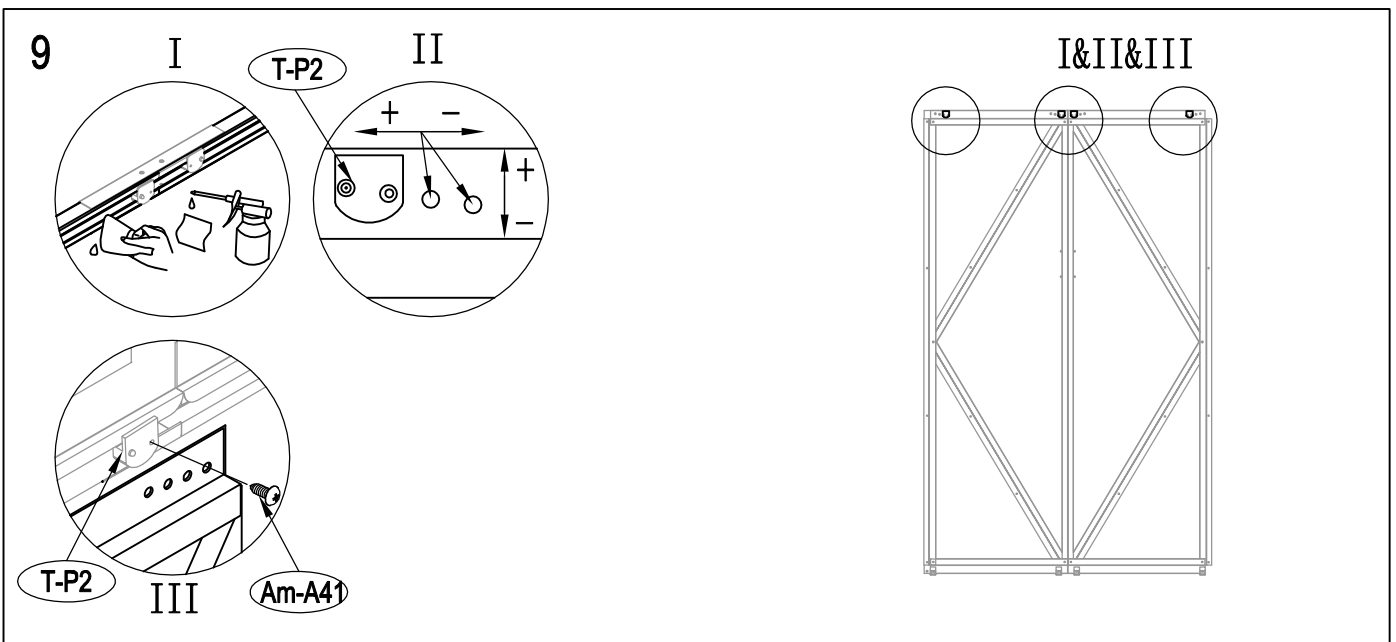
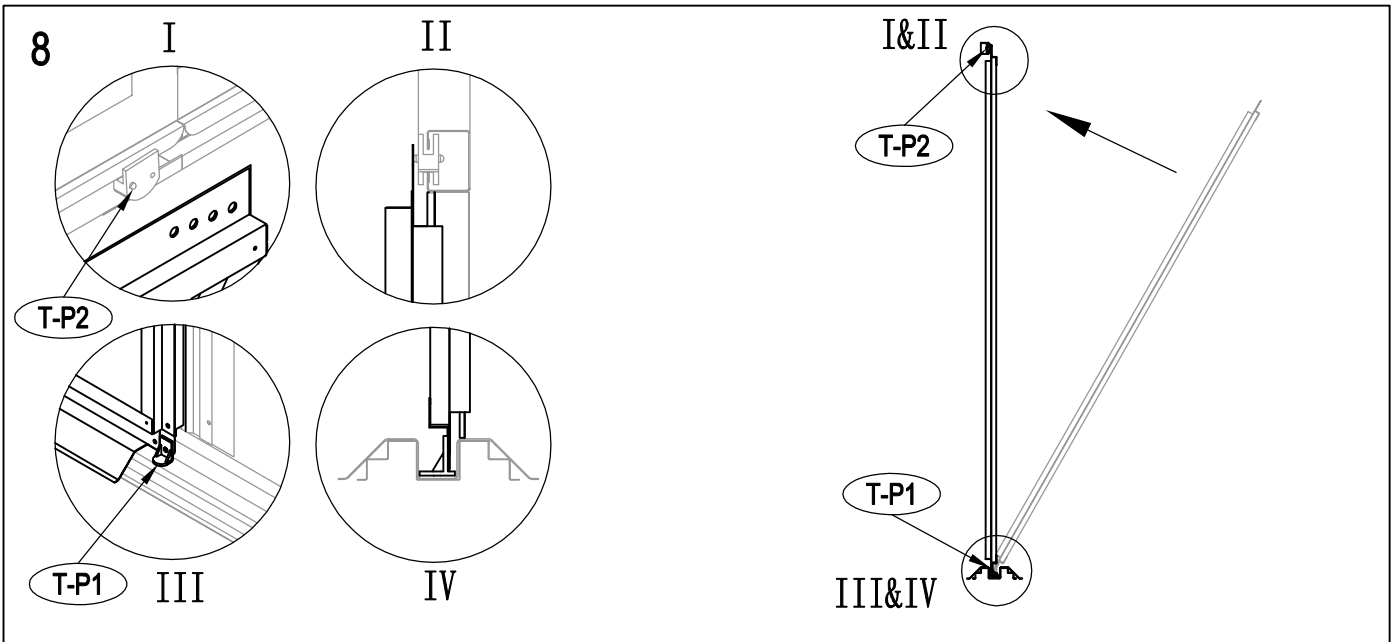
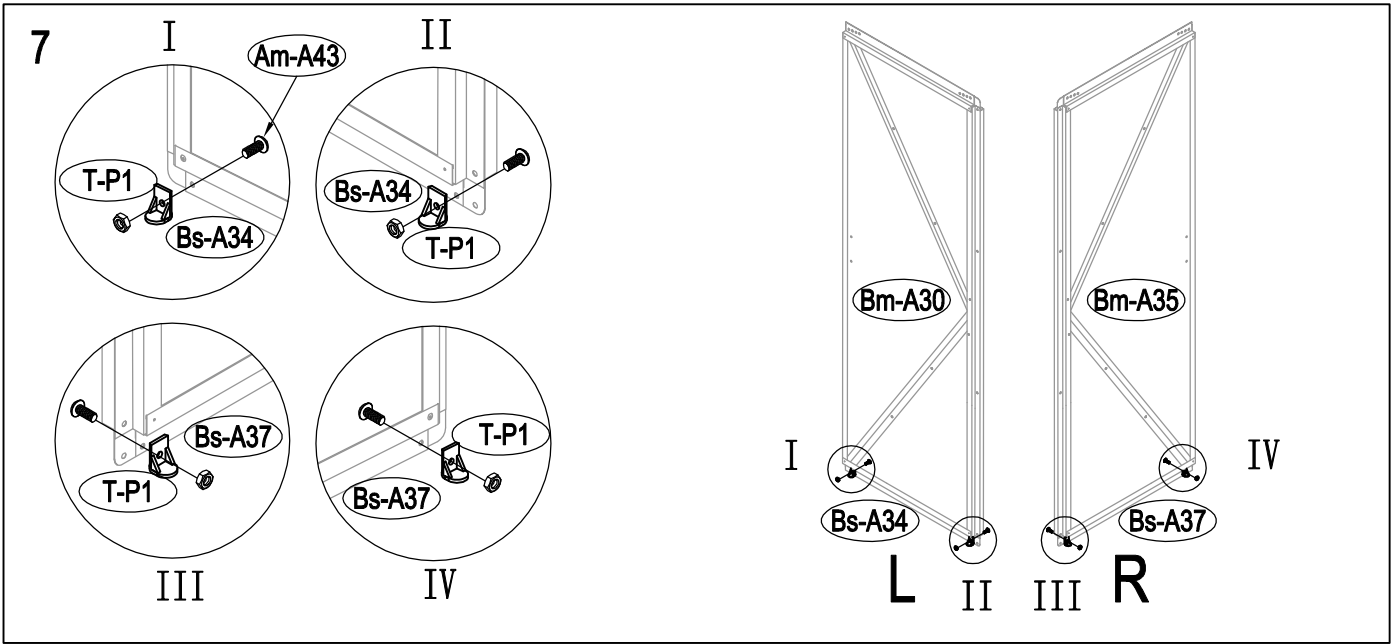


R

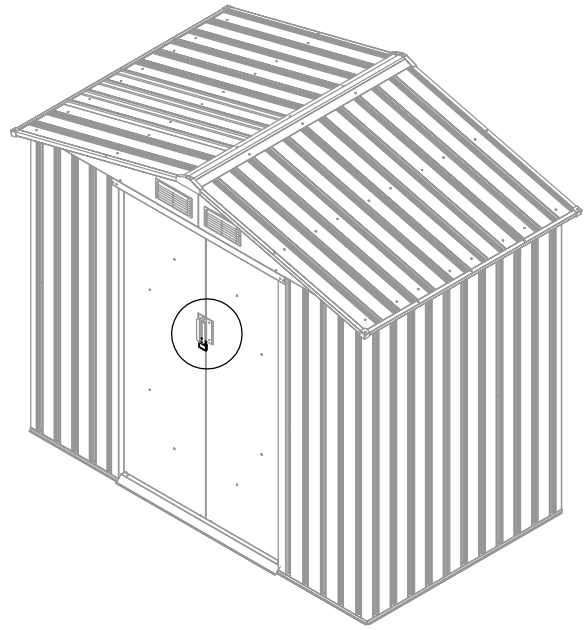
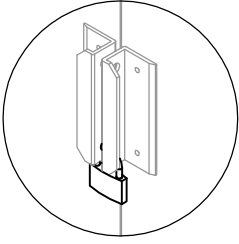








10



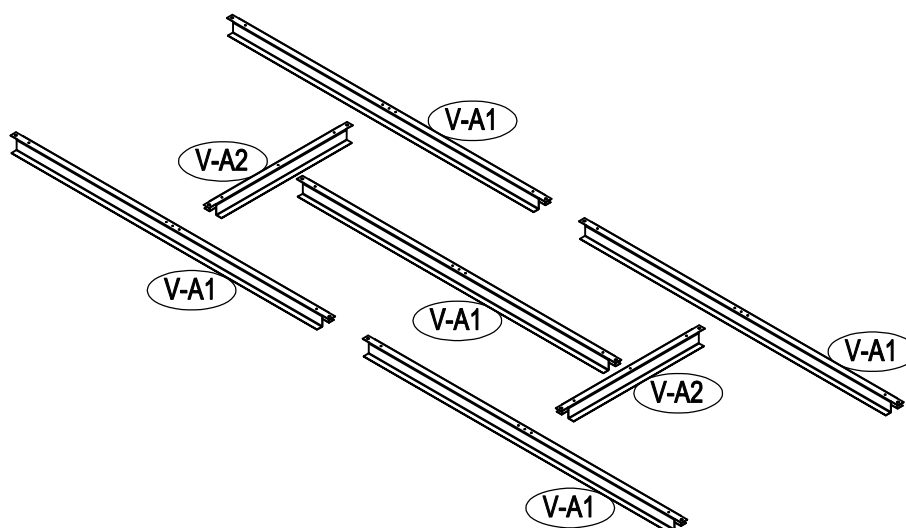
Foundation Kit Assembly Instructions

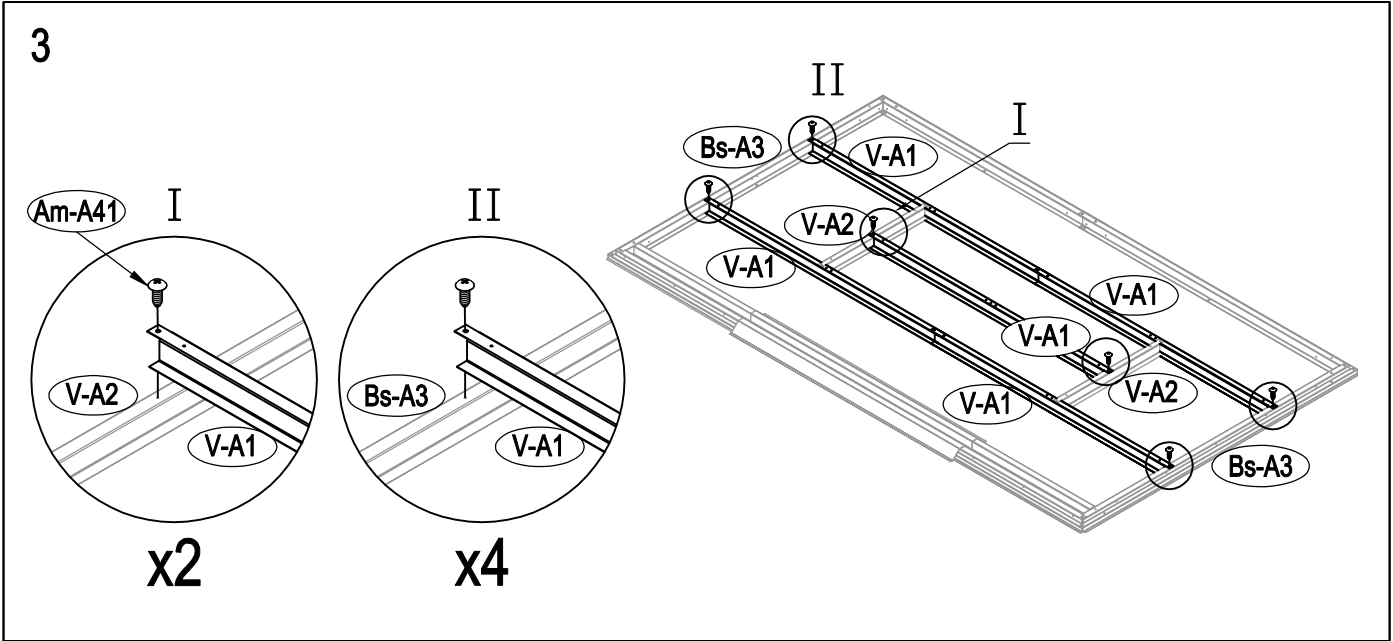
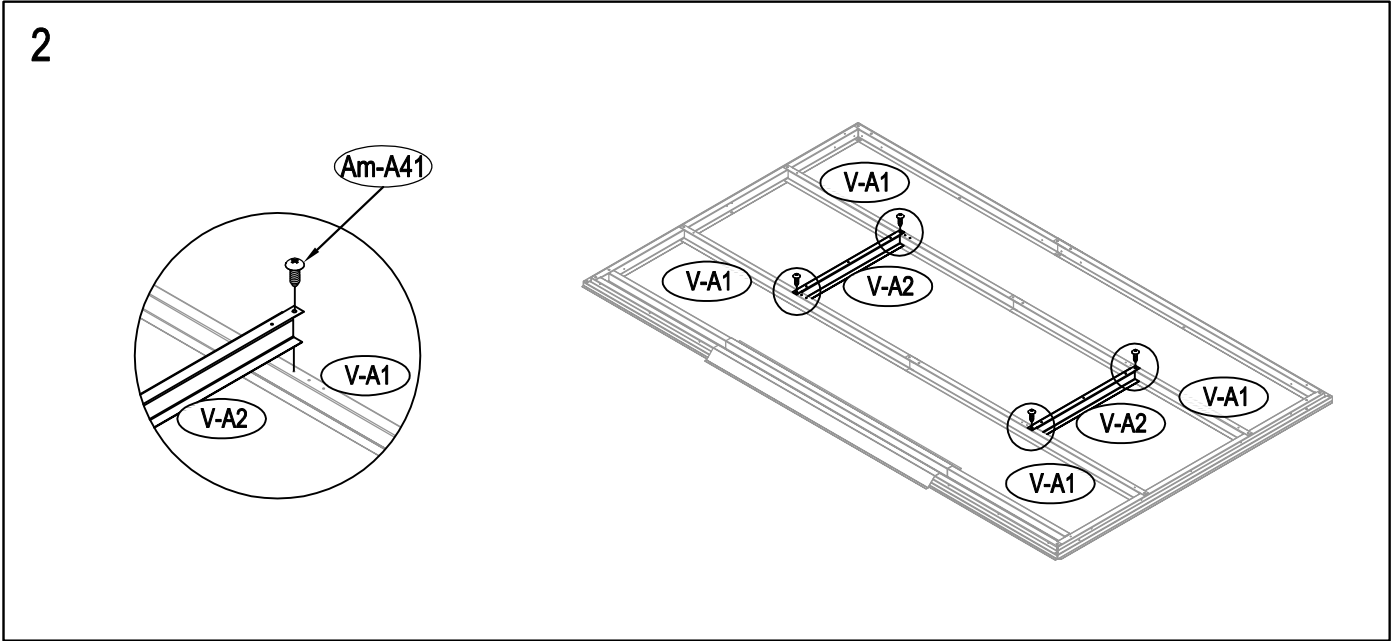
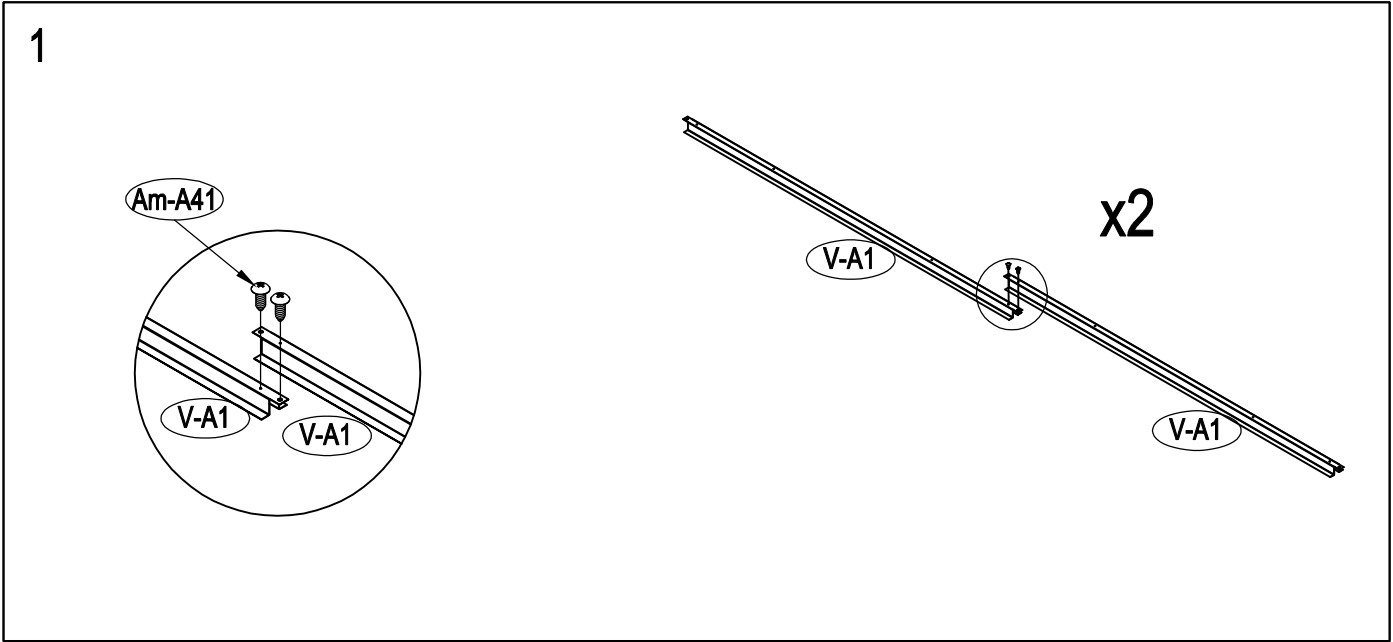
The foundation kit can be used as base for plywood, sand or stone.

PLEASE NOTE: Decking material and Self Drilling Screws for flooring are not supplied, the owner can buy them locally.

Before You Begin:

1. **SAFETY FIRST:** Care must be taken when handling various pieces of your kit since some contain sharp edges. Please always wear work gloves (2 pairs of gloves are provided with the shed for safe construction), eye protection and long sleeves when assembling or performing any maintenance on your kit.
2. **GROUND MUST BE LEVEL!** Be sure foundation kit frames lie flat on ground. To prepare the earth bed, remove sod and other organic debris, level the high spots with a flat shovel, and tamp the bed down.
3. **DO NOT STEP ON CHANNELS** until flooring material is in place!
4. Be sure all the parts fit together properly before proceeding.





Plywood Flooring

NOTE: Decking material and self drilling screws for flooring are not supplied, the owner can buy them from local stores.

A) Plywood Flooring:

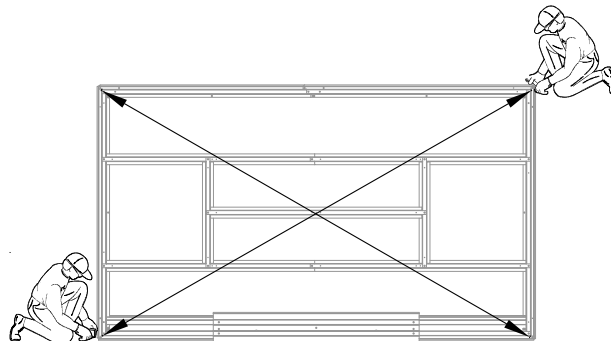
Recommended minimum thickness: 16mm (5/8"), Exterior Grade.

NOTE: Pressure Treated Lumber **must not** be used because it may cause corrosion when in contact with metal shed.

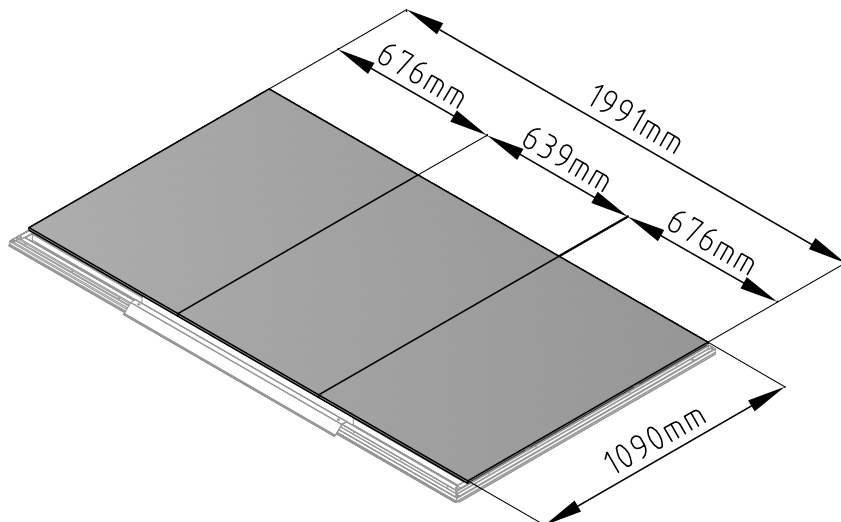
Recommended dimensions for plywood flooring		
Image	mm	Qty
	676x1090x16	2 pcs
	639x1090x16	1 pc
	st4.2x25~35	16 pcs

B) 25-35mm long self drilling screws to secure Plywood Flooring.

1. Make sure the foundation kit frames are square and level .



2. Cut Plywood to recommended dimensions.



3. Fasten Plywood to foundation kit frames with self drilling screws .

