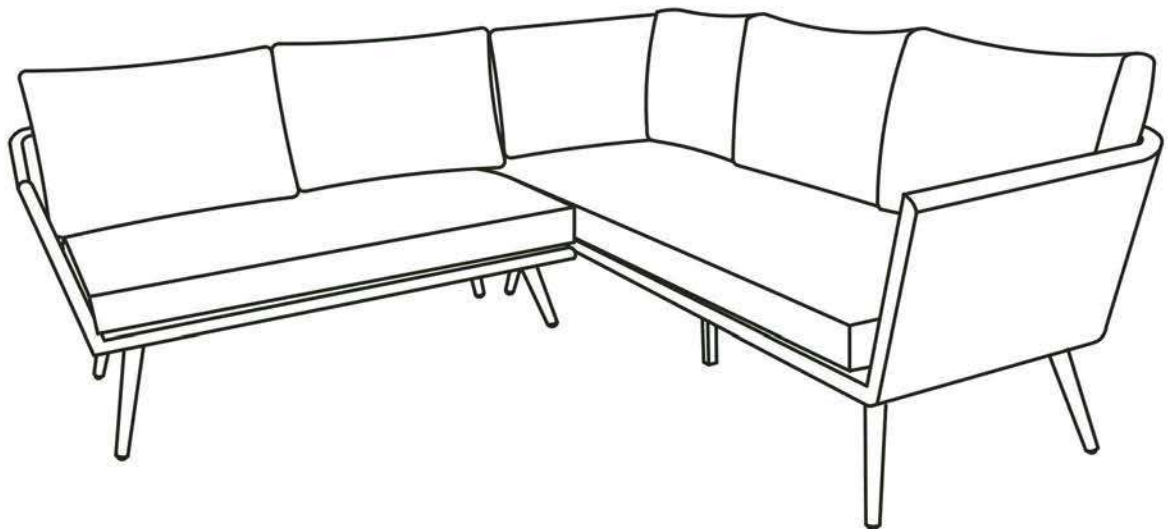


Product size:

3-Seat Left-Handed Sofa: W201*D76*H71cm

2-Seat Right-Handed Sofa: W131*D76*H71cm



The intended use of this product is for domestic use only.

Important, please retain for future reference.

Read carefully.

Before you start



Warnings

IMPORTANT, RETAIN FOR FUTURE REFERENCE READ CAREFULLY

See enclosed instructions for assembly, safety and care information.

Failure to follow the warnings could result in serious injury.

Handle heavy parts with care.

Ensure that this product is fully assembled as illustrated before use.

This product should only be used on firm, level ground.

Keep small parts out of reach of children.

Do not stand or climb onto this product.

This product is intended for **domestic use** only.

Ensure the product is always placed on level ground.

Furniture can be dangerous if incorrectly used. No liability will be accepted for damage or injury caused by incorrect use of this product.

✓ Dos

When you are ready to start, make sure that you have the right tools, plenty of space and a clean, dry area for assembly.

Unwrap all packaging materials and place the components on a suitable surface to prevent scratching your product.

Check all contents are present prior to assembly as per the parts list provided. In the event of problems or missing parts, please contact the seller.

Check all screws and bolts are tightened and inspect regularly.

Cover furniture when not in use to add additional protection to your product.

Store all cushions indoors after use as they are not waterproof.

During severe weather conditions, including high winds, rain, hail, thunderstorms, extreme heat and cold temperatures, the product should be stored inside in a cool, dry place.

To best preserve the synthetic rattan, please use a protective cover when your furniture is not in use. We would also recommend using a gazebo or parasol over your furniture during the summer period and prolonged sunny spells. This will help prevent harmful UV rays from damaging and discolouring the material.

Ensure that the product is clean and dry before storage.

Clean your product with a sponge and warm soapy water then wipe with a clean, dry cloth.

Cushions should be cleaned following the care instruction on the label.

Where instructions as to the; storage, commissioning, installation, use and maintenance of the goods or (if there is none) good trade practice are not followed and a defect arises this will void the 12 month manufacturer's guarantee on the product.

✗ Don'ts

Never tilt the chair during use.

Do not stand or climb onto the product.

Do not use power tools to construct this product.

Do not sit or lean onto the arms of this product.

Do not use this product if parts are missing, damaged or worn.

Do not use scourers, abrasives, washing powders, chemical cleaners or any other substances containing abrasives since these substances can damage the product.

Do not use this product as a ladder as this could lead to the product becoming unbalanced and overturning.

Do not place very hot or very cold items on this product surface.

Never drag furniture when moving it, always lift it.

Number of people required for assembly

Two people



Time to assemble



20 minutes

Tools required



Tips:

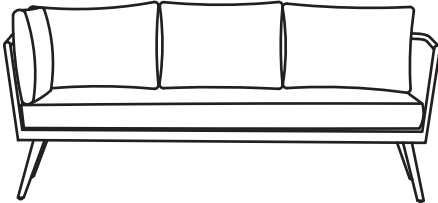
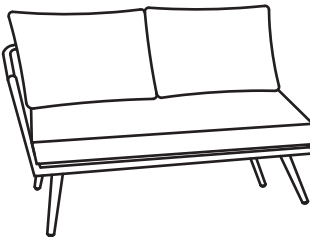
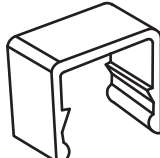
It is best not to fully tighten the nuts and bolts until they are all correctly located.

Only carefully tighten them when you are satisfied with the alignment of all components.

Be careful not to overtighten.

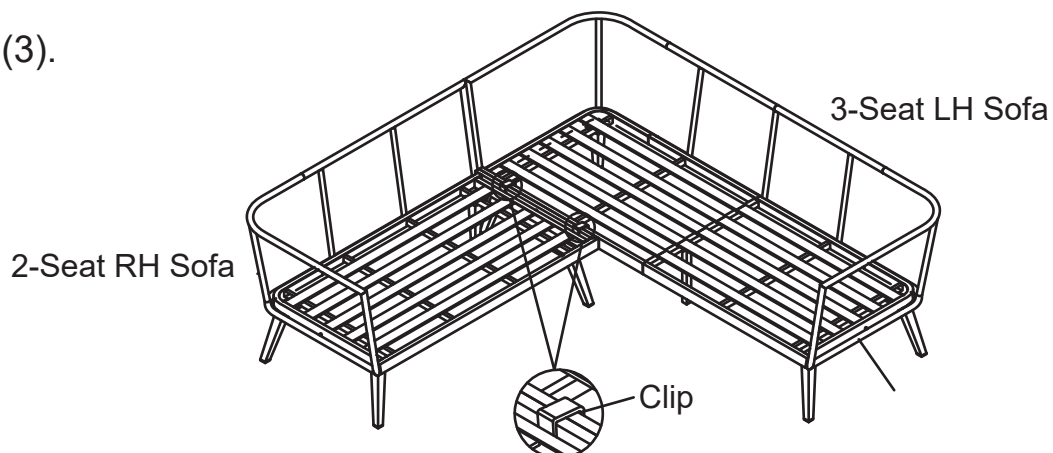
Milan 3-Seat LH Sofa and 2-Seat RH Sofa Assembly Instructions

Member Parts

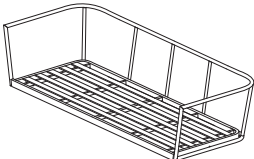
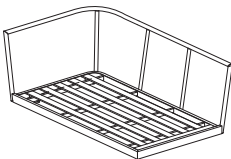
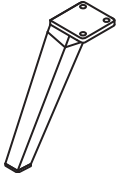
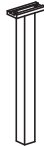
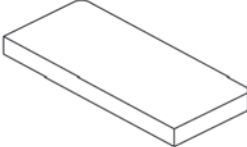
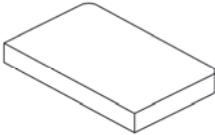




Part No.	Diagram	Name	Qty.
1		3-Seat LH Sofa	1 PC
2		2-Seat RH Sofa	1 PC
3		Clip	2 PCS

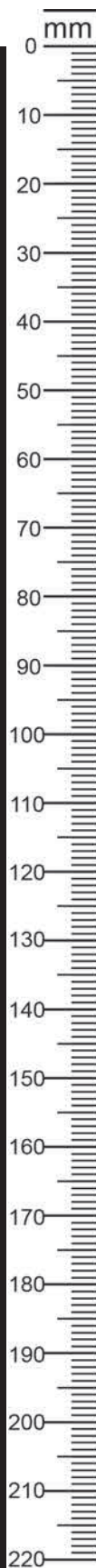
Clips Assembly



In order to better use the products, the parts are suggested to be connected by Clips (3).



Components, fixtures & fittings (not actual size)

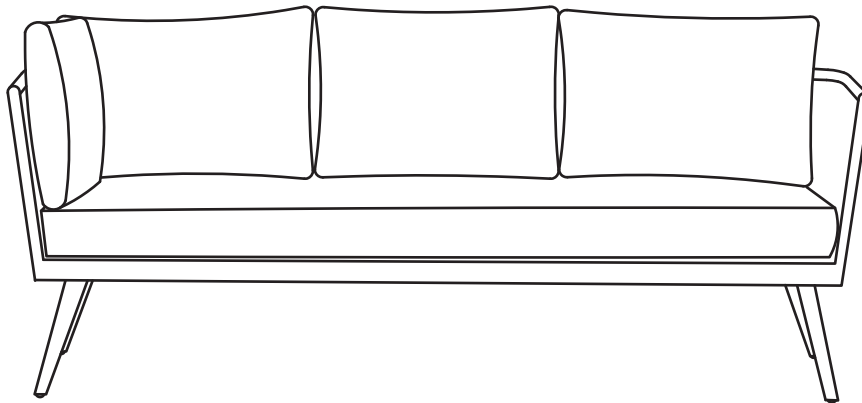
Parts List					
Part No.	Diagram	Qty.	Part No.	Diagram	Qty.
A	 3-Seat LH Sofa Seat	1 PC	B	 2-Seat RH Sofa Seat	1 PC
C	 Leg	8 PCS	D	 Middle Leg	1 PC
E	 3-Seat LH Sofa Seat Cushion	1 PC	F	 2-Seat RH Sofa Seat Cushion	1 PC
G	 Small Backrest Cushion	1 PC	H	 Big Backrest Cushion	5 PCS
F2	 Bolt Head Cap	26 PCS	W25	 M6*25mm Bolt	26 PCS



F3	 Flat Washer	26 PCS	S1	 Spanner	1 PC
----	--	--------	----	---	------

Step by step assembly instructions

Part 1: 3-Seat LH Sofa

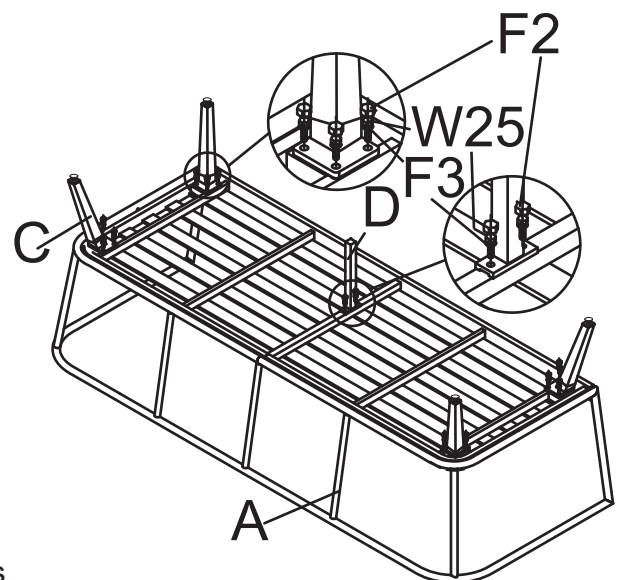


Step One

Open the packaging, with the help of another person, place the 3-Seat LH Sofa Seat (A) upside down on a flat, non-abrasive surface to avoid scratching the surface or rim.

Loosely attach the Legs (C) and Middle Leg (D) onto the 3-Seat LH Sofa Seat (A) using Flat Washers (F3), Bolts (W25) and Bolt Head Caps (F2).

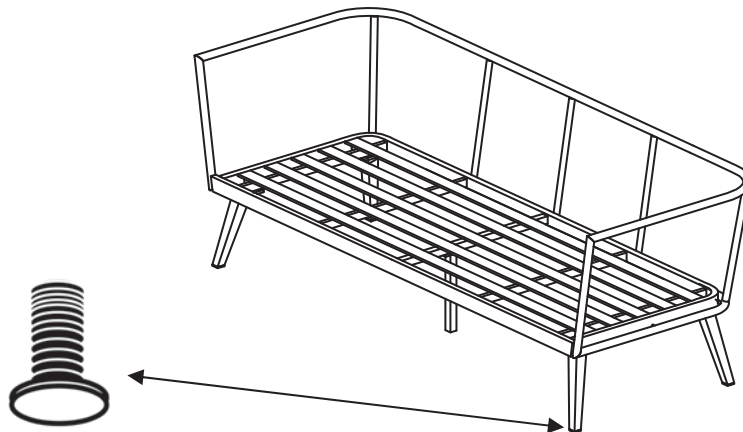
Only tighten the bolts when all bolts and washers are in place and turn freely. Once you are satisfied with the alignment of the components carefully tighten all bolts using Spanner (S1). Do not over-tighten. Cover each bolt with Bolt Head Cap (F2).



Step Two

With the help of another person, stand the 3-Seat LH Sofa Seat (A).

Level the 3-Seat LH Sofa Seat (A) by adjustable feet screws.

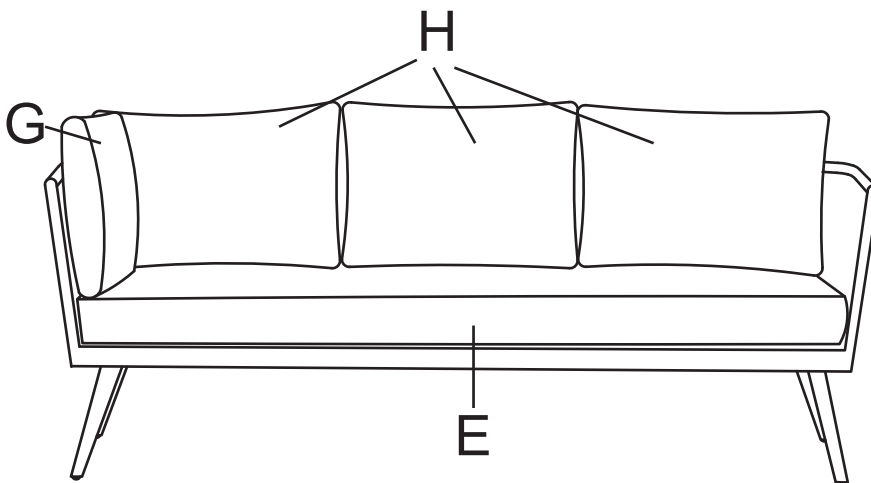


Adjustable Foot Screw

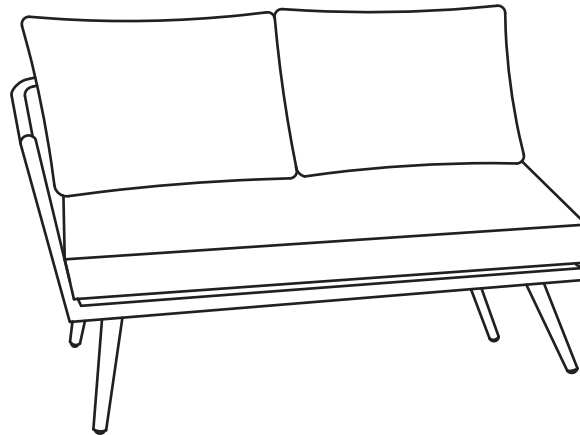
Step Three

Place the 3-Seat LH Sofa Seat Cushion (E), Small Backrest Cushion (G) & Big Backrest Cushions (H) onto the 3-Seat LH Sofa Seat (A).

Your 3-Seat LH Sofa is now ready for use.



Part 2: 2-Seat RH Sofa

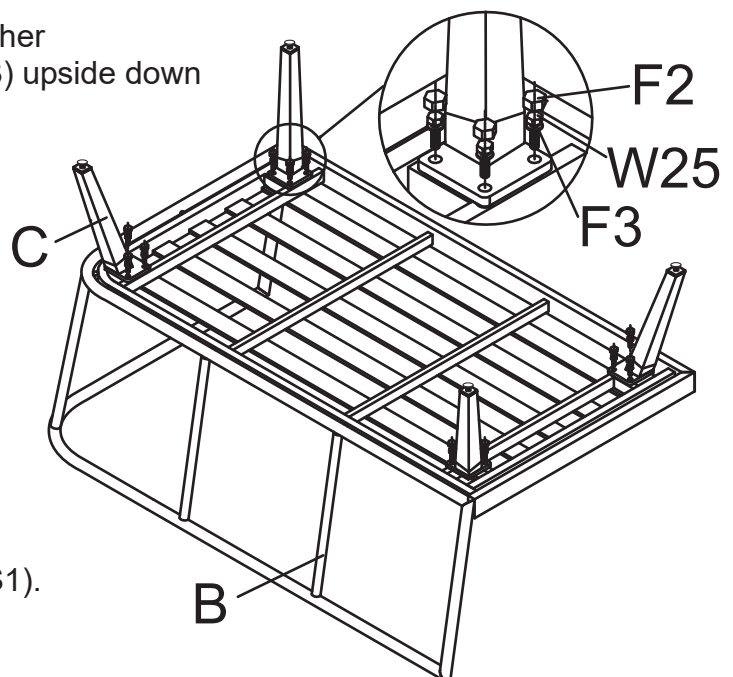


Step One

Open the packaging, with the help of another person, place the 2-Seat RH Sofa Seat (B) upside down on a flat, non-abrasive surface to avoid scratching the surface or rim.

Loosely attach the Legs (C) onto the 2-Seat RH Sofa Seat (B) using Flat Washers (F3), Bolts (W25) and Bolt Head Caps (F2).

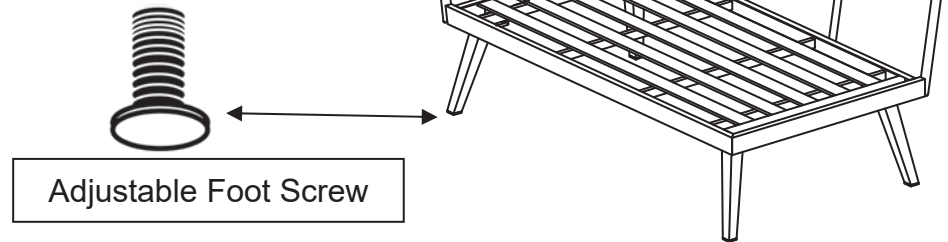
Only tighten the bolts when all bolts and washers are in place and turn freely. Once you are satisfied with the alignment of the components carefully tighten all bolts using Spanner (S1). Do not over-tighten.
Cover each bolt with Bolt Head Cap (F2).



Step Two

With the help of another person, stand the 2-Seat RH Sofa Seat (B).

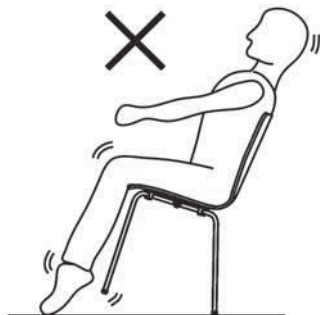
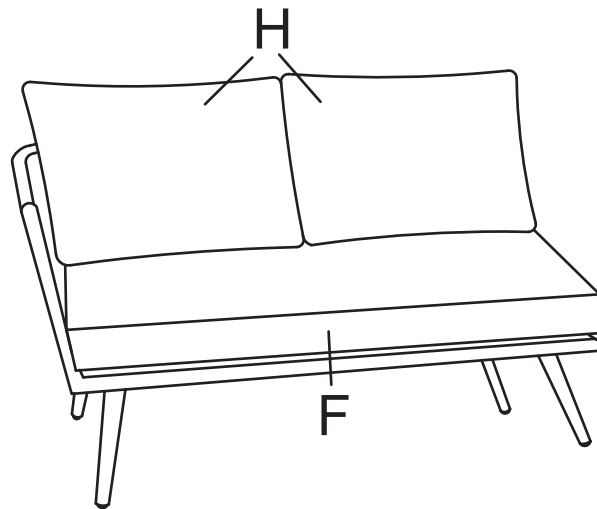
Level the 2-Seat RH Sofa Seat (B) by adjustable feet screws.



Step Three

Place the 2-Seat RH Sofa Seat Cushion (F) and Backrest Cushions (H) onto the Armchair Seat.

Your 2-Seat RH Sofa is now ready for use.



Never tilt the products during use.
Ensure the product is always placed firmly on the ground.

PLEASE KEEP THESE INSTRUCTIONS FOR FUTURE REFERENCE

www.royalcraft.co.uk