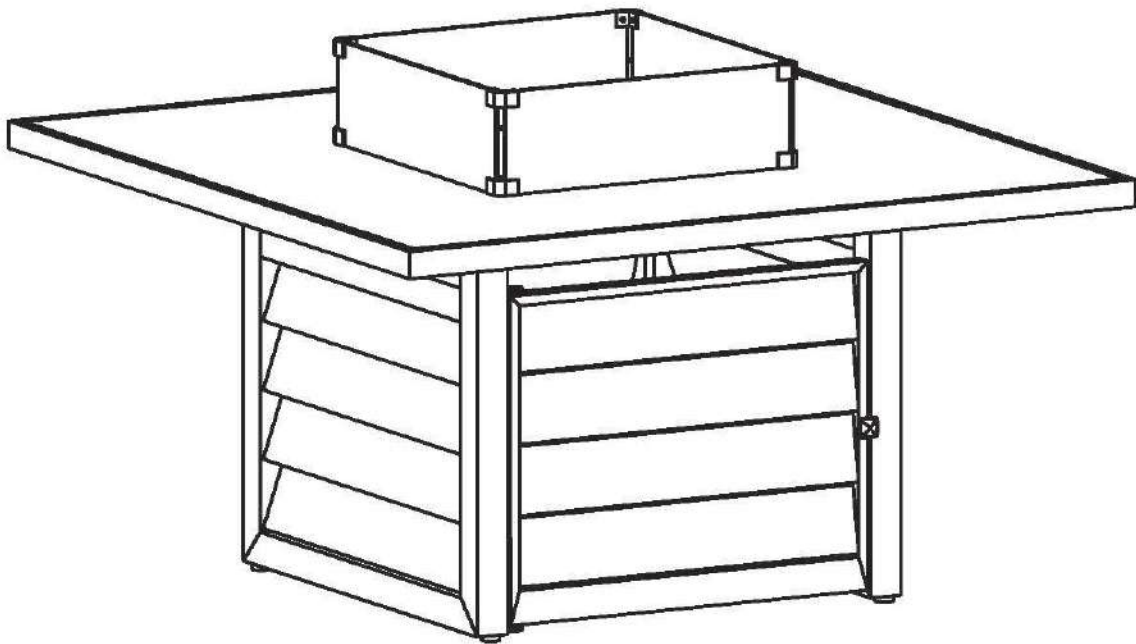


**UK
CA**

Product size:
W120*D120*H64 cm



(Includes Furniture Cover)

The intended use of this product is for domestic use only.

! FOR OUTDOOR USE ONLY !

Important, please retain for future reference.

Read carefully.

Spray Stone Glass

2022 Revised Care & Maintenance Instructions

Important Notice:

This table top is made with a spray stone glass top. The characteristic of the spray stone layer is not fully dirt-proof as a normal glass top table. The spray stone table top consists of two layers: The bottom layer of safety glass is covered with a thin top layer of bonded stone chips (ground natural stone and high quality resin) and is specially designed for outdoor use. This spray stone furniture has a protective layer applied that protects your table from dirt and grease. However, over time the top layer may also become detached from the table top so it is important that regular maintenance and cleaning is completed.

Regular Maintenance And Cleaning Of The Table:

It is best to clean the table regularly with lukewarm water only using a soft cloth or sponge. When accidental spillages occur from any types of wine, beverages, liquid or food, including juices, condiments or oil-based products, please immediately use a soft cloth or sponge to dab off the excess and then clean gently with lukewarm water always wringing your sponge or cloth thoroughly. The longer you wait to clean the table, the more difficult it becomes to remove any stains. Make sure that no soap residue is left behind.

Do not use any abrasive cleaning products or items and avoid rubbing the table top. Do not clean the table with a high pressure cleaner or aggressive cleaning products as these can cause hairline cracks where dirt can accumulate and cause the furniture to turn white.

Do not place very hot, very cold, greasy or oily items directly onto the surface. Please use place mats and coasters for the dining duration. If you leave any items including coasters, tableware, food or drinks on the table top for a long period of time, a permanent chemical reaction may occur causing a white imprinted stain. This reaction in turn will cause irreparable damage, therefore it is important to remove any decor and accessories regularly from your table top.

It is not necessary to use a furniture cover for the table top as covering it for a long period of time may cause the table top coating to peel. If you choose to cover your table, only use a Royalcraft branded furniture cover.

To revamp the textured look on the table top, a speckled paint product can be used which can be purchased from all good DIY stores.

=====

Please retain for future reference. Read carefully.

FIRE PIT SQUARE TABLE

Assembly Instructions

Before you start



Warnings

IMPORTANT, RETAIN FOR FUTURE REFERENCE READ CAREFULLY

See enclosed instructions for assembly, safety and care information.

Failure to follow the warnings could result in serious injury.

Handle heavy parts with care.

Ensure that this product is fully assembled as illustrated before use.

This product should only be used on firm, level ground.

The product contains small parts which could pose a risk to young children. Keep small parts out of reach of children.

Do not stand or climb onto this product.

This product is intended for **domestic use** only.

Ensure the product is always placed on level ground.

Furniture can be dangerous if incorrectly used. No liability will be accepted for damage or injury caused by incorrect use of this product.

✓ Dos

When you are ready to start, make sure that you have the right tools, plenty of space and a clean, dry area for assembly.

Unwrap all packaging materials and place the components on a suitable surface to prevent scratching your product.

Check all contents are present prior to assembly as per the parts list provided. In the event of problems or missing parts, please contact the seller.

Check all screws and bolts are tightened and inspect regularly.

During severe weather conditions, including high winds, rain, hail, thunderstorms, extreme heat and cold temperatures, the product should be stored inside in a cool, dry place.

We recommend using a gazebo or parasol over your furniture during the summer period and prolonged sunny spells. This will help prevent harmful UV rays from damaging and discolouring the material.

Ensure that the product is clean and dry before storage.

Clean your product with lukewarm water only using a sponge or a soft cloth.

Where instructions as to the; storage, commissioning, installation, use and maintenance of the goods or (if there is none) good trade practice are not followed and a defect arises this will void the 12 month manufacturer's guarantee on the product.

✗ Don'ts

Do not use a furniture cover for the table top as covering it for a long period of time may cause the table top coating to peel. If you choose to cover your table, only use a Royalcraft branded furniture cover.

Do not use scourers, abrasives, washing powders, chemical cleaners or any other substances containing abrasives since these substances can damage the product, including the spray stone glass.

Do not place very hot, very cold, greasy or oily items directly onto the surface. Please use place mats and coasters for the dining duration.

Do not leave items including coasters, tableware, food or drinks on the table top for long periods of time, a permanent chemical reaction may occur causing a white imprinted stain. This reaction in turn will cause irreparable damage.

Do not clean the table with a high pressure cleaner or aggressive cleaning products as these can cause hairline cracks where dirt can accumulate and cause the furniture to turn white.

Do not use the table as a chopping surface.

Do not strike the table with hard or pointed items.

Do not sit or lean on the table.

Do not use power tools to construct this product.

Do not use this product if parts are missing, damaged or worn.

Do not stand or climb onto the product and do not use it as a ladder as this could lead to it unbalancing and overturning.

Never drag furniture when moving it, always lift it.

Number of people required for assembly

Two People



Time to assemble



30 minutes

Tools required



(Screw Driver is not provided)

Tips:

It is best not to fully tighten the nuts and bolts until they are all correctly located. Only carefully tighten them when you are satisfied with the alignment of all components.

Be careful not to overtighten.

To revamp the textured look on the table top, a speckled paint product can be used which can be purchased from all good DIY stores.

Special Notes to the Gas Fire Pit Table

Cat: I3B/P, I3+

Gas and pressure: Butane 28-30mbar / Propane 37mbar

Heat input: 13.0 kW (G30: 946g/h, G31: 929g/h)

Destination country: GB

Serial number:

Warning

1. Always read the instructions before using this appliance. The appliance must be installed in accordance with the instructions and local regulations.
2. The use of this appliance in enclosed areas can be dangerous and is **FORBIDDEN**.
3. This appliance is intended for use outdoors or in a ventilated area.
4. A ventilated room must have at least 25% of the surface area open (connection to outside). The surface area is the sum of the walls of the space.
5. After using this appliance always close the valve of the gas bottle or regulator.

Lighting instruction

1. Remove the middle plate of the table top.
2. Insert 1 x AAA battery into the ignition switch (to open the switch – unscrew it anti-clock wise).
3. Make sure fuel supply is properly connected and turned on at the gas tank.
4. Push ON/OFF Button anti-clock wise until you hear the gas and keep it pushed in whilst pressing the ignition switch at the same time. (This will make a clicking sound).
5. The Fire Pit should light within 15 seconds. If you do not hear the ignition sparking you may need to replace the battery. Replace with a standard AAA battery. If a flame does not start within 20 seconds, shut off all gas supply and wait 5 minutes to allow all gas fumes to clear. Retry and start from step 1 again.

Turning off

1. Turn the ON/OFF Button to the OFF position.
2. When the flame extinguishes, close the valve of the gas tank.


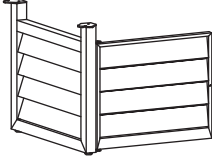


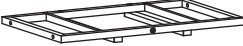


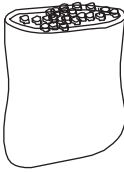
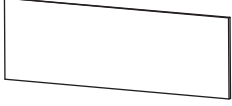
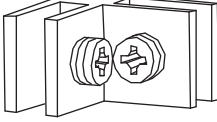
The Table Top is made of Spray Stone Glass.

Any spillages on any kind should be wiped clean with Soft damp kitchen towel to avoid staining marks on the table top.

FIRE PIT SQUARE TABLE

Assembly Instructions

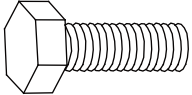
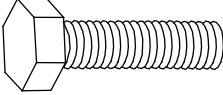
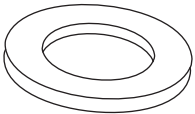
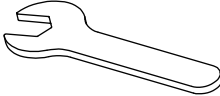
Components, fixtures & fittings (not actual size)

Parts List					
Part No.	Diagram	Qty.	Part No.	Diagram	Qty.
A	 Table Top with Fire Box, Hose & Regulator	1 PC	B	 Leg with Door	1 PC
C	 Leg	1 PC	D	 Side Panel	1 PC
E	 Gas Bottle Shelf	1 PC	F	 Pole	2 PCS
G	 Spray Stone Glass Lid	1 PC	H	 Glass Fire Beads	1 Bag
I	 Glass Safety Surround	4 PCS	J	 Grip	8 PCS



FIRE PIT SQUARE TABLE

Assembly Instructions

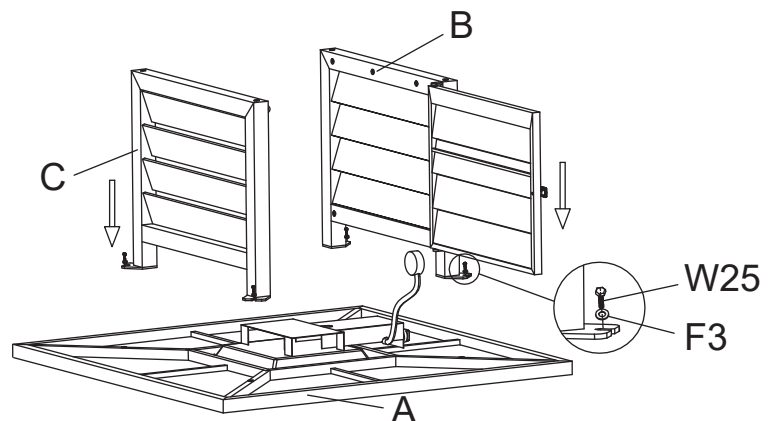
W25	 M6*25mm Bolt	12 PCS	W35	 M6*35mm Bolt	4 PCS
F3	 Flat Washer	16 PCS	S	 Spanner	1 PC

Step by step assembly instructions

Step One

With the help of another person, open the cartons, place the Table Top with Fire Box, Hose & Regulator (A) upside down on a flat, non-abrasive and soft platform to avoid scratching the table surface or rim.

Loosely Attach the Leg with Door (B) and Leg (C) onto the assembly position on the Table Top with Fire Box, Hose & Regulator (A) using Flat Washers (F3) and Bolts (W25).
At this stage, please don't tighten the Bolts fully.

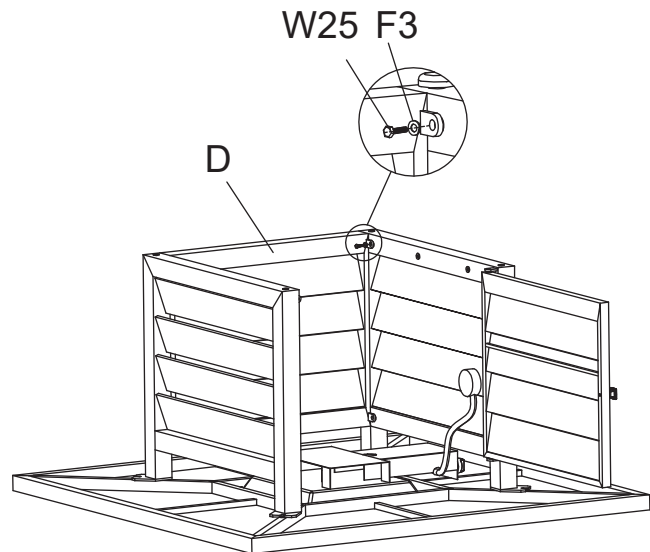


FIRE PIT SQUARE TABLE

Assembly Instructions

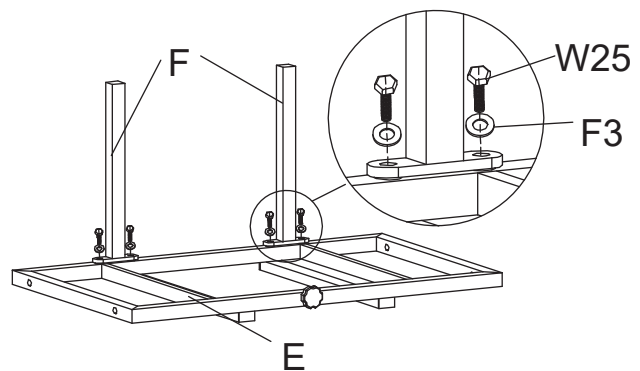
Step Two

Loosely Attach the Side Panel (D) to above partly-assembled parts using Flat Washers (F3) and Bolts (W25). At this stage, please don't tighten the Bolts fully.



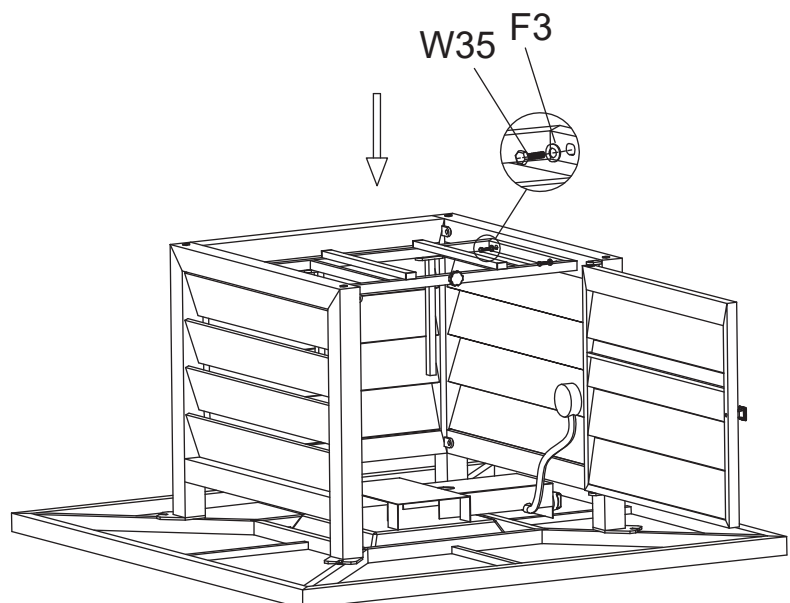
Step Three

Attach the Pole (F) to the Gas Bottle Shelf (E) using Flat Washers (F3) and Bolts (W25). Please tighten the Bolts fully.



Step Four

Attach the Gas Bottle Shelf (E) to the Legs using Flat Washers (F3) and Bolts (W35). Please note the Poles (F) should be placed inside. Please tighten all Bolts fully when all components are in alignment. Do not over-tighten.



FIRE PIT SQUARE TABLE

Assembly Instructions

Step Five

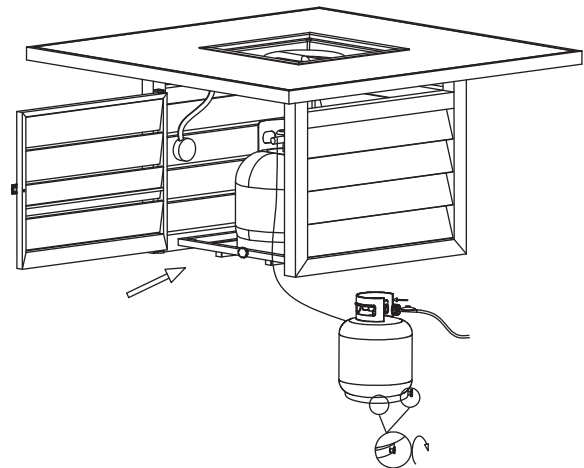
With the help of another person, carefully turn over the table and place it in the upright position.

Level the table with the Adjustable Feet Screw on the bottom of the Table Legs.

Place the Gas Bottle into the cabinet under the Table Top.

Gas Bottle is not provided.

Please consult with your distributor or reseller for the use of the correct gas bottle with correct gas pressure.



Adjustable Feet Screw

Gas Bottle Specifications

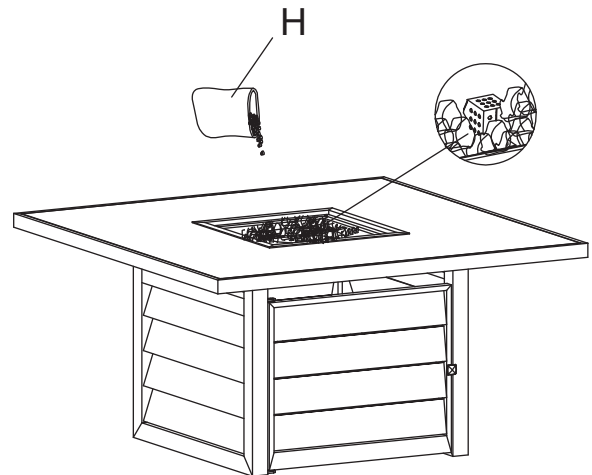
Product Code	210051
Cylinder Type	Patio
Cylinder usage	BBQs, Patio Heaters, Camping, Firepit
Cylinder Colour	Green
Capacity	5kg
Height	390mm
Diameter	300mm
Tare weight (empty)	7-7.5kg
Gross weight (full)	15-17kg
Rec. offtake (approx)	10Kw
Gas Type	Propane
Gas Pressure	37mbar



Reference Gas Bottle

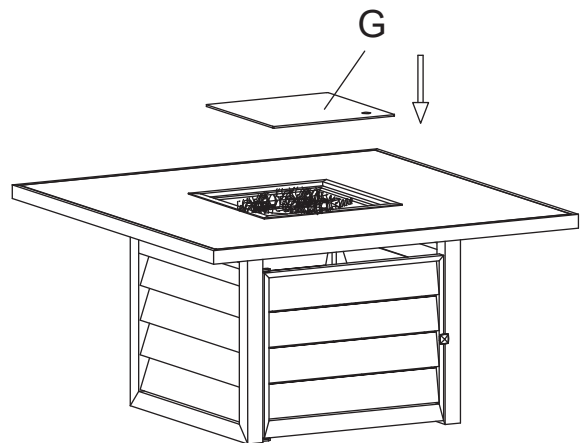
Step Six

Place the Glass Fire Beads (H) into the Fire Box evenly. The beads should NOT cover the Burner Holes.



Step Seven

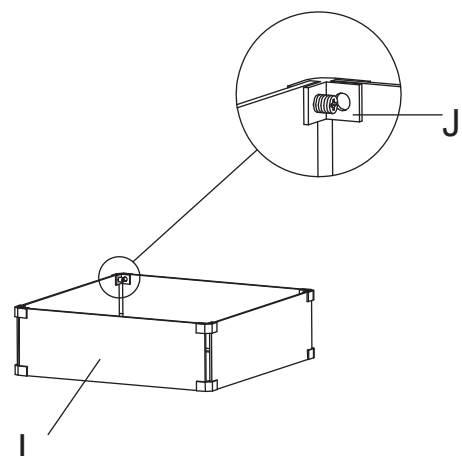
If you will use this Table as Dining Table, please cover the Spray Stone Glass Lid (G) onto the Fire Box.



Step Eight

If you will use this Table as Fire Pit Table, Please remove the Spray Stone Glass Lid (G) from the Fire Box.

Assemble the Glass Safety Surround (I) using Grips (J) by Screw Driver(not provided).



FIRE PIT SQUARE TABLE

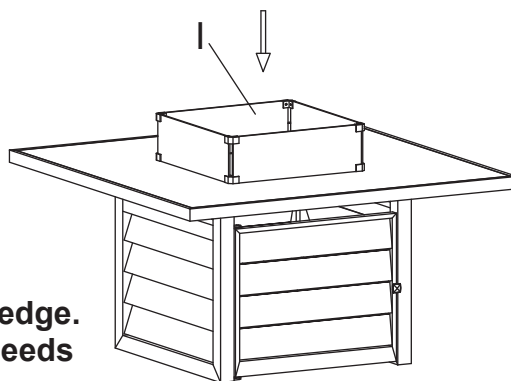
Assembly Instructions

Step Nine

Place the Glass Safety Surround (I) around the Fire Box.

****** Caution:**

The Glass Safety Surround is a safety guard that is placed on top of the table around the fire box edge. When the fire pit is not in use, the Glass Safeguard needs to be removed.



Please take extra care when doing this to ensure all bolts are tight – these can become loose over time so to avoid the glass dropping out please make sure all fittings are tight before removal.

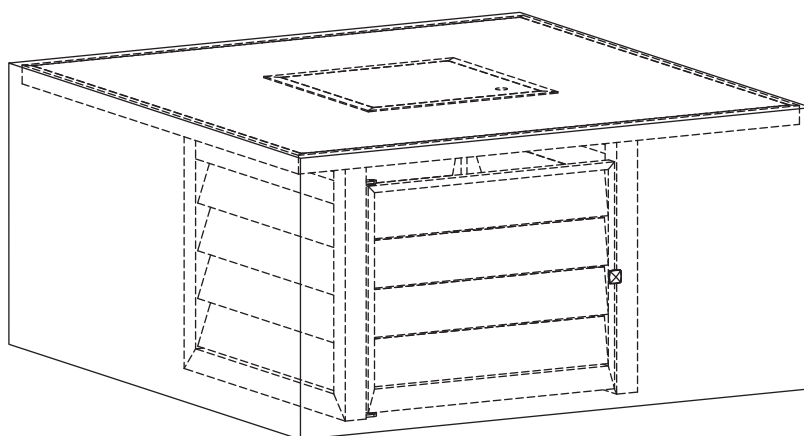
You can dismantle the Glass Safety Surround in full before removing if you decide this option.

Please store it in a safe place until this is required to be used as a safety surround for your Fire pit when the Fire pit is in use.

Step Nine

If you choose to cover your table, only use a Royalcraft Branded Furniture Cover.

Always wait for the full cooling of the Fire Pit before using the Furniture Cover.



PLEASE KEEP THESE INSTRUCTIONS FOR FUTURE REFERENCE