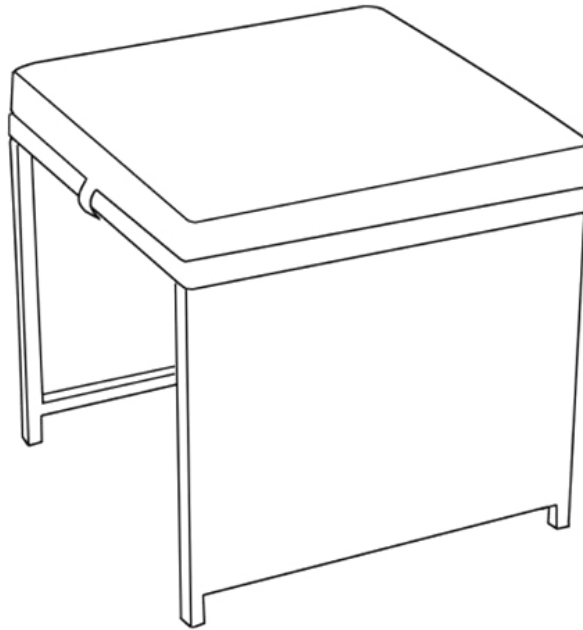


Product size: W41*D41*H36cm



The frame of this product is manufactured from mild steel coated with a weather resistant paint. Steel has a natural tendency to rust over time and, whilst we expect you to be able to enjoy your furniture for many years to come, we recommend that you check the product from time to time for signs of paint damage and/ or rust. If the paint should become damaged, or if rust begins to form, you should clean the affected area and apply a suitable "thinners based" touch-up paint. Such paints are readily available from all good hardware and DIY stores.

The intended use of this product is for domestic use only.

Important, please retain for future reference.

Read carefully.



Cannes Cube Stool x4

ASSEMBLY INSTRUCTIONS

Before you start



Warnings

IMPORTANT, RETAIN FOR FUTURE REFERENCE READ CAREFULLY

See enclosed instructions for assembly, safety and care information.

Failure to follow the warnings could result in serious injury.

Handle heavy parts with care.

Ensure that this product is fully assembled as illustrated before use.

This product should only be used on firm, level ground.

Keep small parts out of reach of children.

Do not stand or climb onto this product.

This product is intended for **domestic use** only.

Ensure the table is always placed on level ground.

Furniture can be dangerous if incorrectly used. No liability will be accepted for damage or injury caused by incorrect use of this product.

✓ Dos

When you are ready to start, make sure that you have the right tools, plenty of space and a clean, dry area for assembly.

Unwrap all packaging materials and place the components on a suitable surface to prevent scratching your product.

Check all contents are present prior to assembly as per the parts list provided. In the event of problems or missing parts, please contact the seller.

Check all screws and bolts are tightened and inspect regularly.

Cover furniture when not in use to add additional protection to your product.

Store all cushions indoors after use as they are not waterproof.

During severe weather conditions, including high winds, rain, hail, thunderstorms, extreme heat and cold temperatures, the product should be stored inside in a cool, dry place.

To best preserve the synthetic rattan, please use a protective cover when your furniture is not in use. We would also recommend using a gazebo or parasol over your furniture during the summer period and prolonged sunny spells. This will help prevent harmful UV rays from damaging and discolouring the material.

Ensure that the product is clean and dry before storage.

Clean your product with a sponge and warm soapy water then wipe with a clean, dry cloth.

Cushions should be cleaned following the care instruction on the label.

Where instructions as to the; storage, commissioning, installation, use and maintenance of the goods or (if there is none good trade practice are not followed and a defect arises this will void the 12 month manufacturer's guarantee on the product.

✗ Don'ts

Do not stand or climb onto the product.

Do not use power tools to construct this product.

Do not sit or lean onto the arms of this product.

Do not use this product if parts are missing, damaged or worn.

Never use scourers, abrasives or chemical cleaner.

Do not use this product as a ladder as this could lead to the product becoming unbalanced and overturning.

Do not place very hot or very cold items on this product surface.

Never drag furniture when moving it, always lift it.

Number of people required for assembly

Two people



Time to assemble



30 minutes

Tools required



Tips:

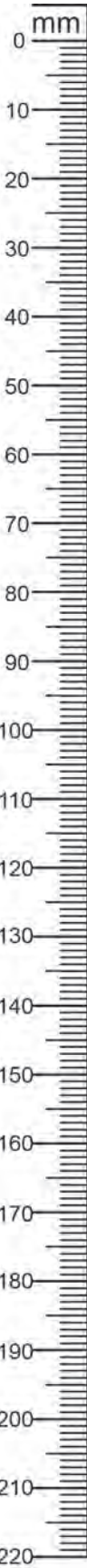
It is best not to fully tighten the nuts and bolts until they are all correctly located.

Only carefully tighten them when you are satisfied with the alignment of all components.

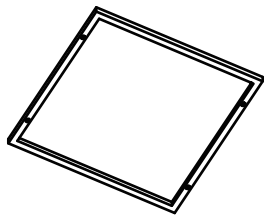
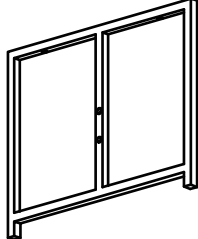
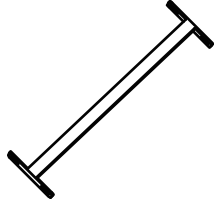
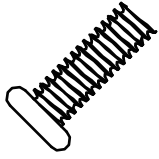
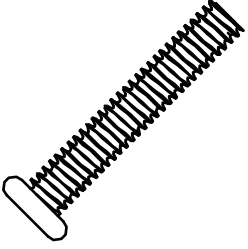

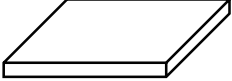

Be careful not to overtighten.

www.royalcraft.co.uk

Components, fixtures & fittings (not actual size)



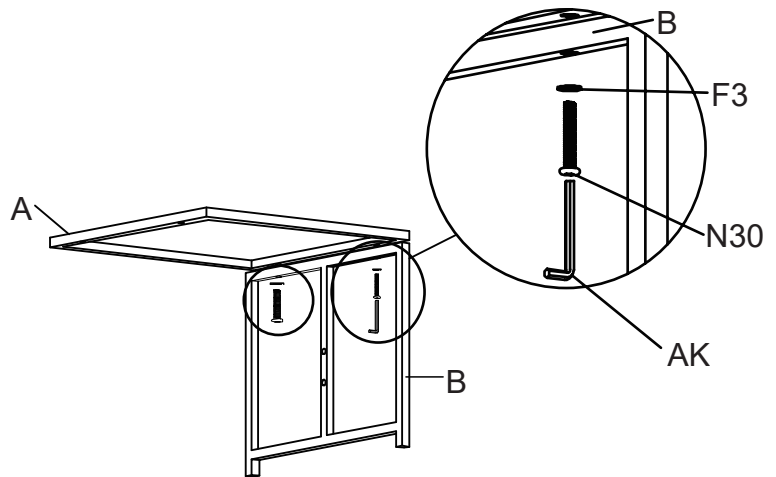
Parts List

Part No.	Diagram	Qty.	Part No.	Diagram	Qty.
A	 Stool Seat Panel	4 PCS	B	 Stool Leg	8 PCS
C	 Connecting Bar	4 PCS	N15	 M6*15mm Bolt	16 PCS
N30	 M6*30mm Bolt	16 PCS	F3	 Washer	32 PCS
E	 Stool Cushion	4 PCS	AK	 Allen Key	1 PC

Step by step assembly instructions

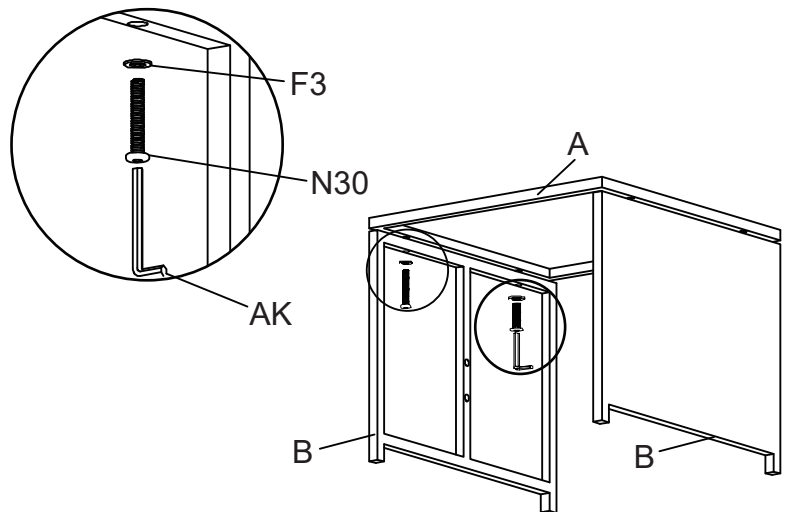
Step One

Attach the Stool Leg (B) to the Stool Seat Panel (A) using Washers (F3) and Bolts (N30).



Step Two

Repeat above steps for the assembly of another Stool Leg (B).

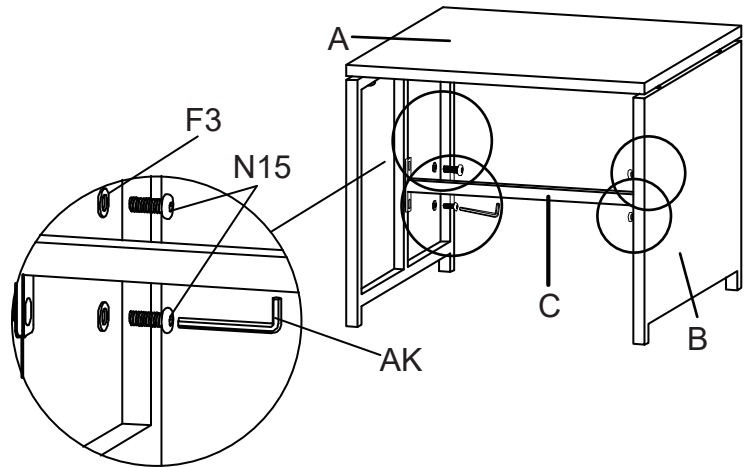


Step Three

Attach the Connecting Bar (C) to the Stool Legs (B) using Washers (F3) and Bolts (N15).

Once you are satisfied with the alignment of all components, carefully tighten all bolts using Allen Key (AK).

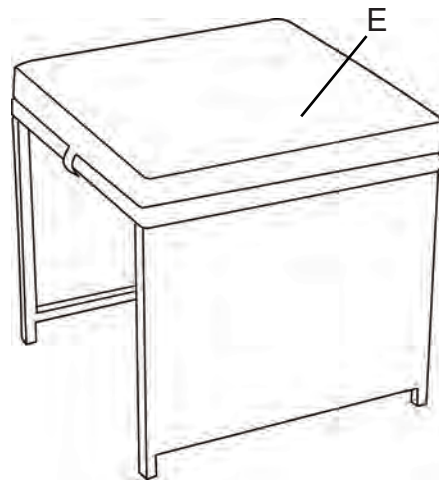
Then place the stool in upright position.



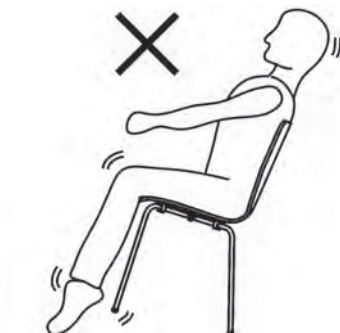
Step Four

Attach the Stool Cushion (E) to the Stool.

Your Stool is now ready for use.



Never tilt the Stool during use.
Ensure the product is always placed firmly on the ground.



PLEASE KEEP THESE INSTRUCTIONS FOR FUTURE REFERENCE