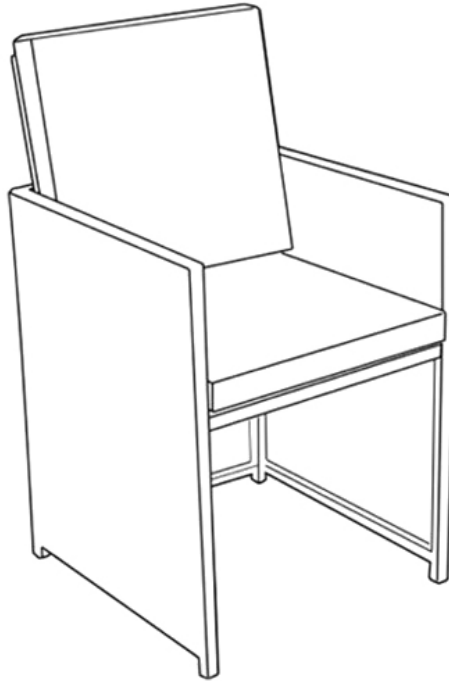


Product size: W51\*D57\*H67/88cm



*The frame of this product is manufactured from mild steel coated with a weather resistant paint. Steel has a natural tendency to rust over time and, whilst we expect you to be able to enjoy your furniture for many years to come, we recommend that you check the product from time to time for signs of paint damage and/ or rust. If the paint should become damaged, or if rust begins to form, you should clean the affected area and apply a suitable "thinners based" touch-up paint. Such paints are readily available from all good hardware and DIY stores.*

The intended use of this product is for domestic use only.

Important, please retain for future reference.

Read carefully.

### Before you start

#### Warnings

##### **IMPORTANT, RETAIN FOR FUTURE REFERENCE READ CAREFULLY**

See enclosed instructions for assembly, safety and care information.

Failure to follow the warnings could result in serious injury.

Handle heavy parts with care.

Ensure that this product is fully assembled as illustrated before use.

This product should only be used on firm, level ground.

Keep small parts out of reach of children.

Do not stand or climb onto this product.

This product is intended for **domestic use** only.

Ensure the table is always placed on level ground.

Furniture can be dangerous if incorrectly used. No liability will be accepted for damage or injury caused by incorrect use of this product.

#### Dos

When you are ready to start, make sure that you have the right tools, plenty of space and a clean, dry area for assembly.

Unwrap all packaging materials and place the components on a suitable surface to prevent scratching your product.

Check all contents are present prior to assembly as per the parts list provided. In the event of problems or missing parts, please contact the seller.

Check all screws and bolts are tightened and inspect regularly.

Cover furniture when not in use to add additional protection to your product.

Store all cushions indoors after use as they are not waterproof.

During severe weather conditions, including high winds, rain, hail, thunderstorms, extreme heat and cold temperatures, the product should be stored inside in a cool, dry place.

To best preserve the synthetic rattan, please use a protective cover when your furniture is not in use. We would also recommend using a gazebo or parasol over your furniture during the summer period and prolonged sunny spells. This will help prevent harmful UV rays from damaging and discolouring the material.

Ensure that the product is clean and dry before storage.

Clean your product with a sponge and warm soapy water then wipe with a clean, dry cloth.

Cushions should be cleaned following the care instruction on the label.

#### Don'ts

Never tilt the chair during use.

Do not stand or climb onto the product.

Do not use power tools to construct this product.

Do not sit or lean onto the arms of this product.

Do not use this product if parts are missing, damaged or worn.

Never use scourers, abrasives or chemical cleaner.

Do not use this product as a ladder as this could lead to the product becoming unbalanced and overturning.

Do not place very hot or very cold items on this product surface.

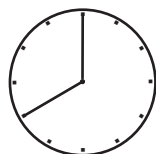
Never drag furniture when moving it, always lift it.

#### Number of people required for assembly

Two people



#### Time to assemble



40 minutes

#### Tools required

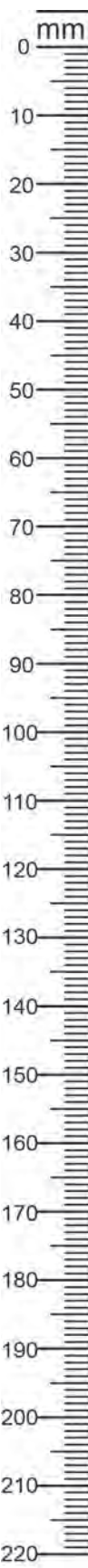


#### Tips:

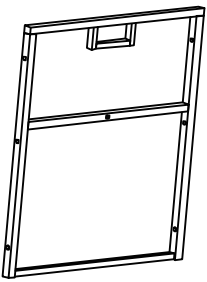
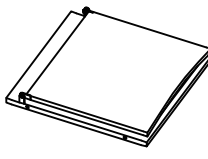
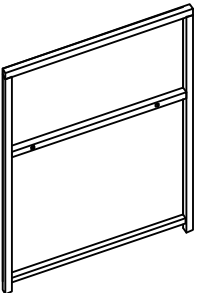
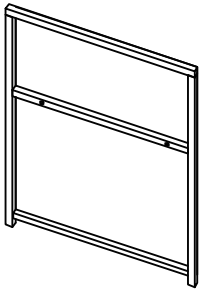
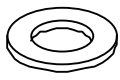
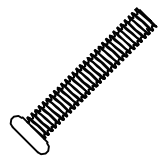
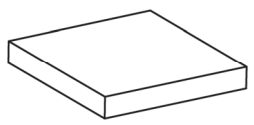

**It is best not to fully tighten the nuts and bolts until they are all correctly located. Only carefully tighten them when you are satisfied with the alignment of all components.**

**Be careful not to overtighten.**

Components, fixtures & fittings (not actual size)



### Parts List

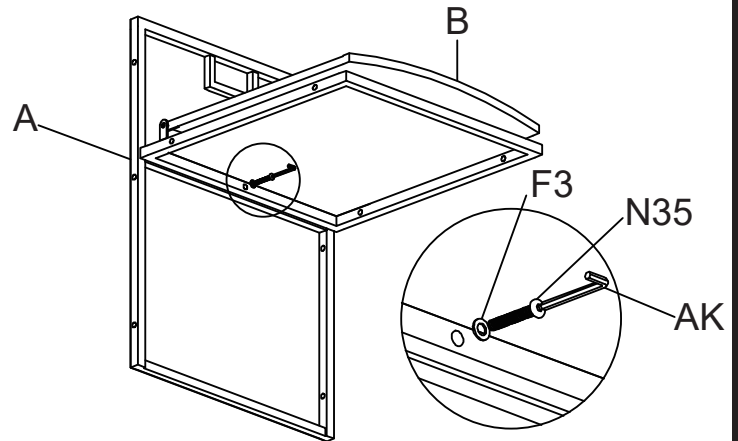
Part No.	Diagram	Qty.	Part No.	Diagram	Qty.
A	 Back Panel	4 PCS	B	 Seat and Folding Backrest	4 PCS
C	 Right Leg	4 PCS	D	 Left Leg	4 PCS
F3	 Washer	44 PCS	N35	 M6*35mm Bolt	44 PCS
E	 Cushion	8 PCS	AK	 Allen Key	1 PC

### Step by step assembly instructions

### Step One

Attach the Seat and Folding Backrest (B) to the Back Panel (A) using Washers (F3) and Bolts (N35).

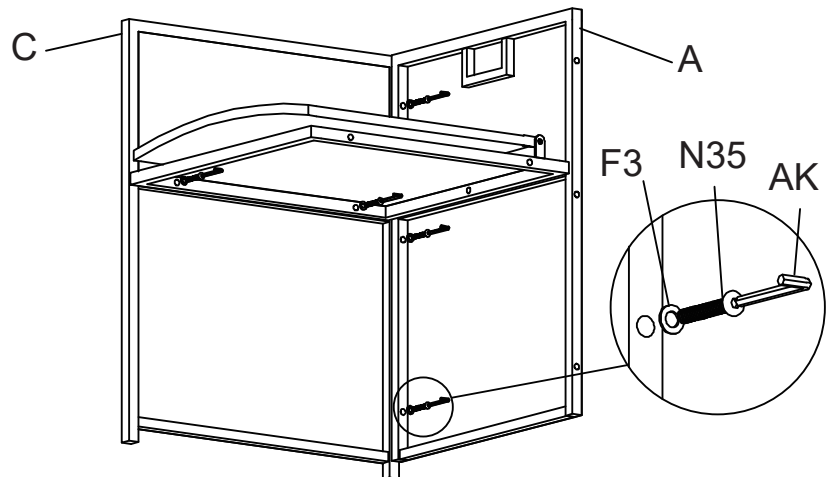
At this stage, don't fully tighten the bolts.



### Step Two

Attach the Right Leg (C) to the Back Panel (A) and Seat and Folding Backrest (B) using Washers (F3) and Bolts (N35).

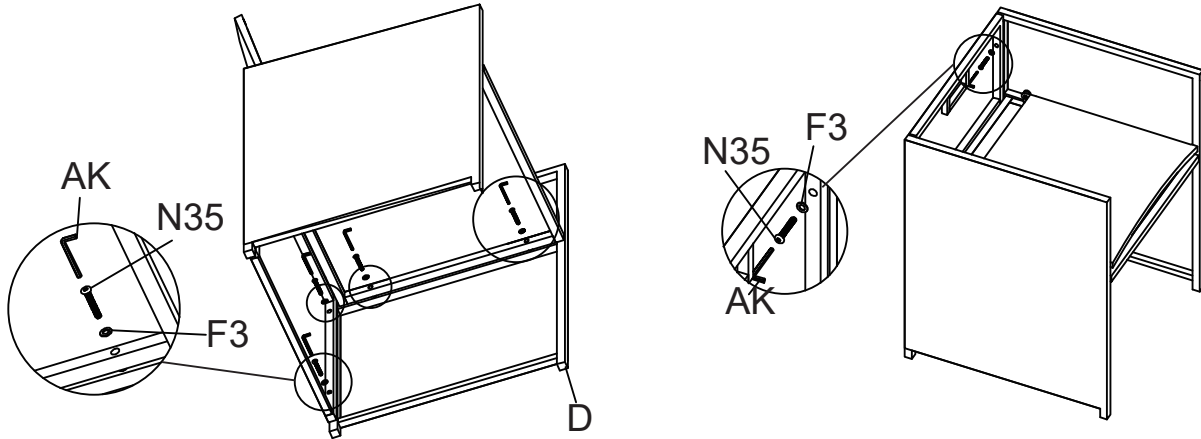
At this stage, don't fully tighten the bolts.



### Step Three

Repeat above step to finish the assembly of Left Leg (D).

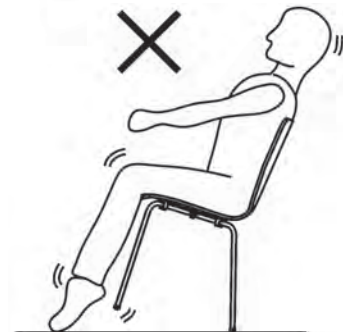
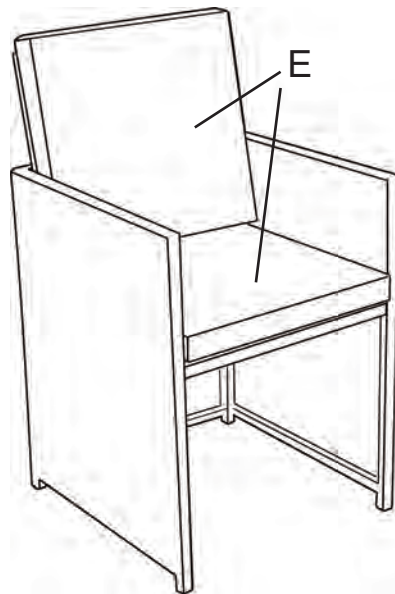
Once you are satisfied with the alignment of all components, carefully tighten all Nuts using Allen Key (AK).



### Step Four

Attach the Cushions (E) to the Chair.

Your Chair is now ready for use.



Never tilt the Chair during use.  
Ensure the product is always placed firmly on the ground.

**PLEASE KEEP THESE INSTRUCTIONS FOR FUTURE REFERENCE**