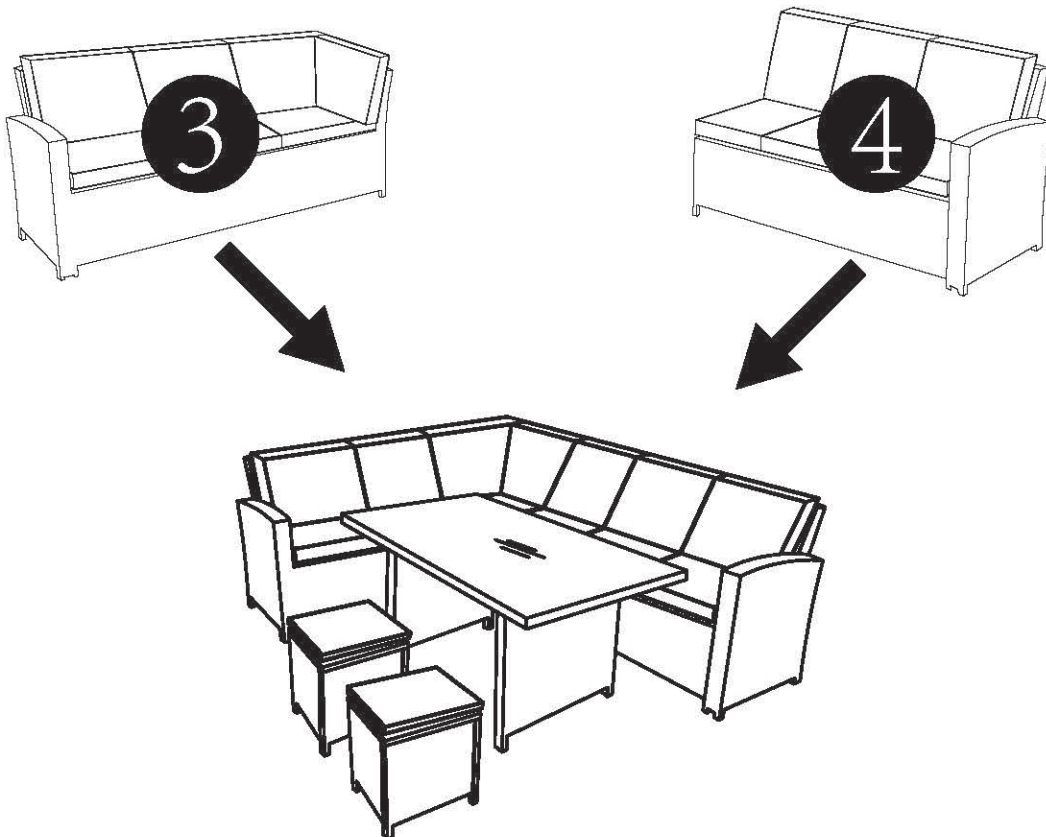


Product size:  
Dining Table: L140\*W75\*H72 cm  
Footstool: W38\*D38\*H44/49 cm  
3-Seater Corner Sofa: W192.5\*D73.5\*H83/87 cm  
3-Seater Corner Sofa W/ One Arm: W175\*D73.5\*H83/87 cm

**Please note this Carton Only Contains Component 3 & 4.**



**Furniture should be covered/stored whilst not in use to prolong its longevity.**

**(It should also be covered in adverse weather.)**

**The intended use of this product is for domestic use only.**

**Important, please retain for future reference.**

**Read carefully.**



# 3-Seater Corner Sofa and One-Arm 3-Seater Corner Sofa for Berlin 5PCS Corner Dining Set Assembly Instructions

## Before you start

### Warnings

#### IMPORTANT, RETAIN FOR FUTURE REFERENCE READ CAREFULLY

See enclosed instructions for assembly, safety and care information.

Failure to follow the warnings could result in serious injury.

Handle heavy parts with care.

Ensure that this product is fully assembled as illustrated before use.

This product should only be used on firm, level ground.

Keep small parts out of reach of children.

Do not stand or climb onto this product.

This product is intended for **domestic use** only.

Furniture can be dangerous if incorrectly used. No liability will be accepted for damage or injury caused by incorrect use of this product.

### Dos

When you are ready to start, make sure that you have the right tools, plenty of space and a clean, dry area for assembly.

Unwrap all packaging materials and place the components on a suitable surface to prevent scratching your product.

Check all contents are present prior to assembly as per the parts list provided. In the event of problems or missing parts, please contact the seller.

Check all screws and bolts are tightened and inspect regularly.

Cover furniture when not in use to add additional protection to your product.

Store all cushions indoors after use as they are not waterproof.

During severe weather conditions, including high winds, rain, hail, thunderstorms, extreme heat and cold temperatures, the product should be stored inside in a cool, dry place.

To best preserve the synthetic rattan, please use a protective cover when your furniture is not in use. We would also recommend using a gazebo or parasol over your furniture during the summer period and prolonged sunny spells. This will help prevent harmful UV rays from damaging and discolouring the material.

Ensure that the product is clean and dry before storage.

Clean your product with a sponge and warm soapy water then wipe with a clean, dry cloth.

Cushions should be cleaned following the care instruction on the label.

Where instructions as to the; storage, commissioning, installation, use and maintenance of the goods or (if there is none) good trade practice are not followed and a defect arises this will void the 12 month manufacturer's guarantee on the product.

### Don'ts

Never tilt the chair during use.

Do not stand or climb onto the product.

Do not use power tools to construct this product.

Do not sit or lean onto the arms of this product.

Do not use this product if parts are missing, damaged or worn.

Do not use scourers, abrasives, washing powders, chemical cleaners or any other substances containing abrasives since these substances can damage the product.

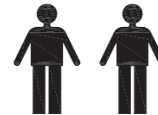
Do not use this product as a ladder as this could lead to the product becoming unbalanced and overturning.

Do not place very hot or very cold items on this product surface.

Never drag furniture when moving it, always lift it.

### Number of people required for assembly

Two people



### Time to assemble

60 minutes

### Tools required



### Tips:

**Do NOT fully tighten bolts before all components are connected. Only fully tighten once you are satisfied with the alignment of all components. Do not overtighten bolts.**

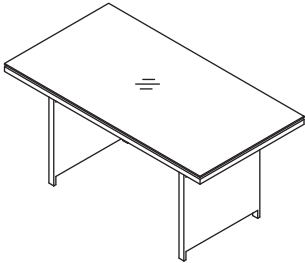
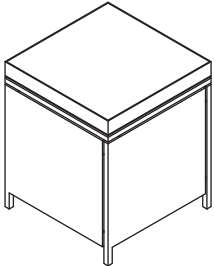
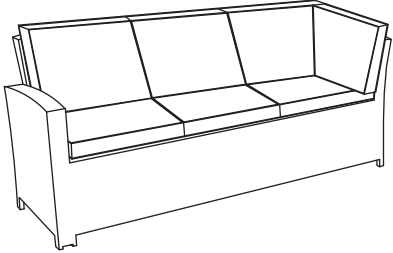
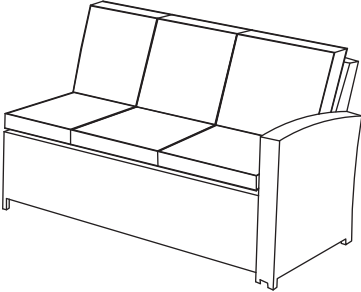
[www.royalcraft.co.uk](http://www.royalcraft.co.uk)



# 3-Seater Corner Sofa and One-Arm 3-Seater Corner Sofa for Berlin 5PCS Corner Dining Set Assembly Instructions

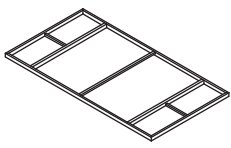
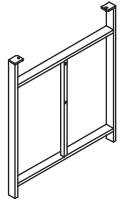
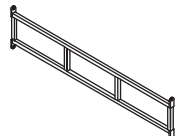
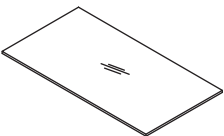
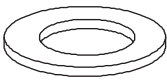


This Set is a combination set of 5 pieces.

Please find the components

Component No.	Diagram	Name	Qty.
1		Dining Table	1 PC
2		Footstool	2 PCS
3		3-Seater Corner Sofa	1 PC
4		3-Seater Corner Sofa W/ One Arm	1 PC

[www.royalcraft.co.uk](http://www.royalcraft.co.uk)

Components, fixtures & fittings (not actual size)

<b>Component 1 - Dining Table Parts List</b>					
Part No.	Diagram	Qty.	Part No.	Diagram	Qty.
L	 Table Top Frame	1 PC	M	 Table Leg	2 PCS
N	 Connecting Bar	1 PC	O	 Glass Top	1 PC
F2	 Washer	8 PCS	N25	 M6*25mm Bolt	8 PCS
AK	 Allen Key	1 PC			



## Component 1 - Dining Table: Assembly Steps

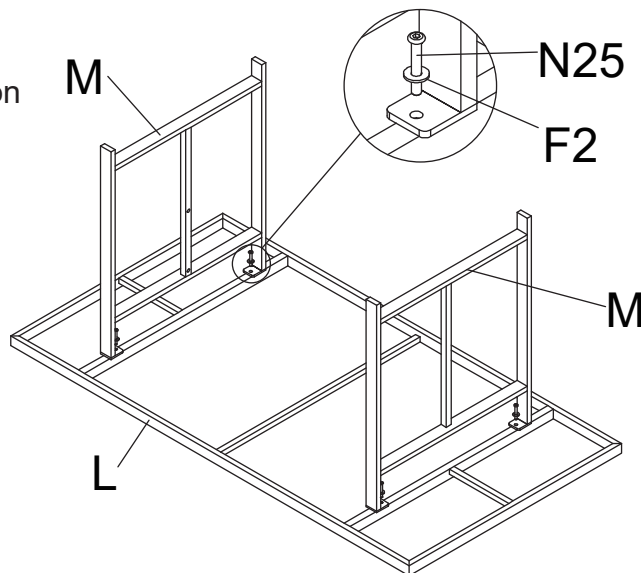
### Step One

Open the packaging with the glass face down on a flat surface. Leave the glass on the carton until the rest of the table is fully assembled.

With the help of another person, place the Table Top Frame (L) upside down on a flat, non-abrasive surface to avoid scratching the table surface or rim. Do NOT assemble the Table Legs (M) to the Table Top Frame (L) while it is still resting on the Glass Top (O).

Place the Table Legs (M) onto the Table Top Frame (L), aligning all holes in each part.

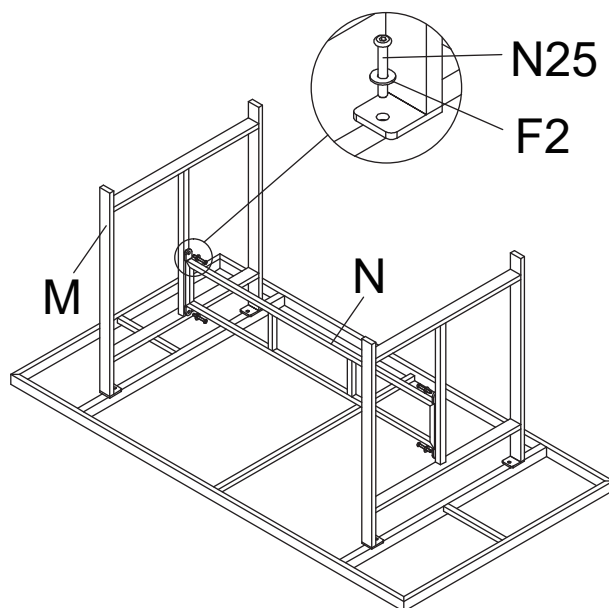
Loosely attach the Table Legs to the Table Top Frame using Washers (F2) and Bolts (N25).



### Step Two

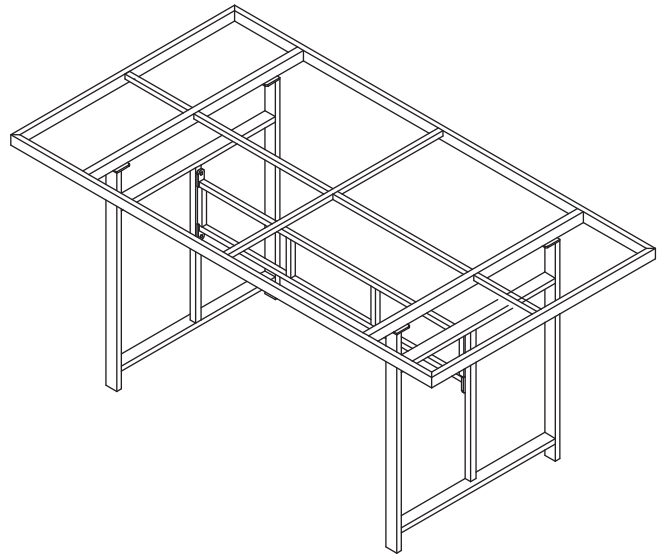
Loosely attach the Connecting Bar (N) onto the Table Legs (M), aligning all holes in each part, using Washers (F2) and Bolts (N25).

Only tighten the bolts when all bolts and washers are in place and turn freely. Once you are satisfied with the alignment of the components carefully tighten all bolts using Allen Key (AK). Do not over-tighten.



## Step Three

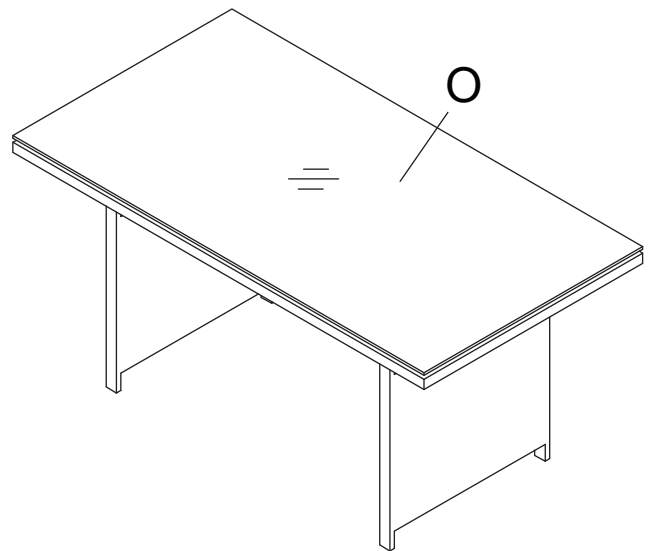
With the help of another person, carefully turn the table frame in the upright position.

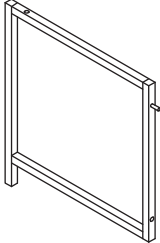
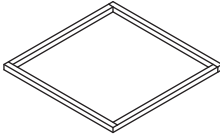
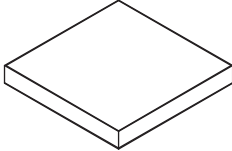





## Step Four

Carefully place the Glass Top (O) on the Table Top Frame (L) and make sure they match each other.

Your Dining Table is now ready for use



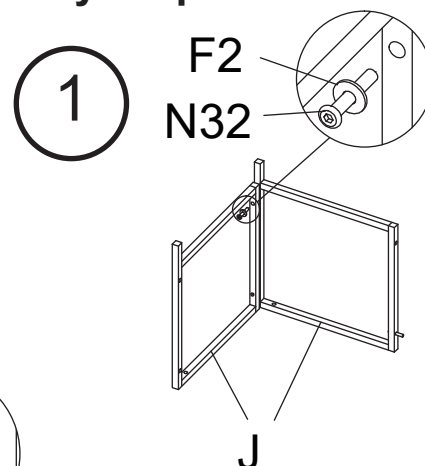
Component 2 - Footstool Parts List					
Part No.	Diagram	Qty.	Part No.	Diagram	Qty.
J	 Footstool Leg	8 PCS	K	 Footstool Seat	2 PCS
II	 Footstool Cushion	2 PCS	AK	 Allen Key	1 PC
F2	 Washer	16 PCS	N32	 M6*32mm Bolt	16 PCS

Note: Above Parts Quantity is for 2pcs Footstools

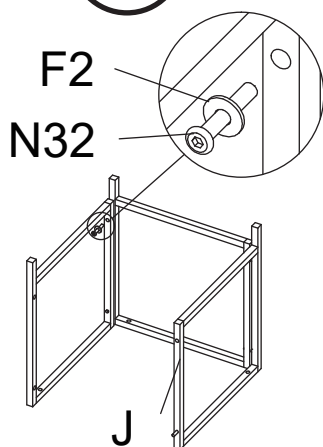
## Component 2 - Footstool: Assembly Steps

### Step One

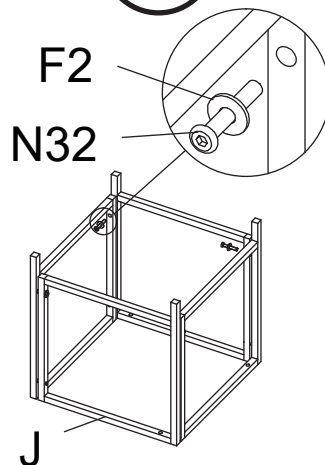
Loosely attach the Footstool Legs (J) to each other using Washers (F2) and Bolts (N32).



2



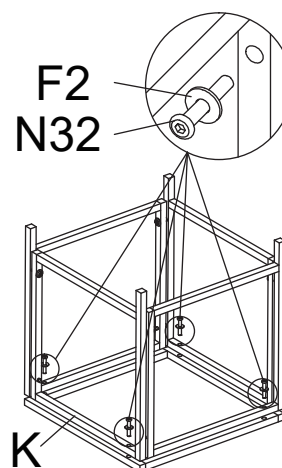
3



### Step Two

Loosely attach the Footstool Seat (K) to the Footstool Legs (J), aligning all holes in each part, using Washers (F2) and Bolts (N32).

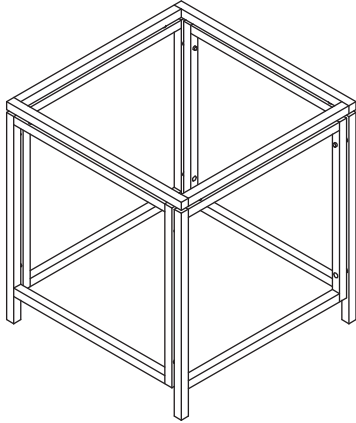
Only tighten the bolts when all bolts and washers are in place and turn freely. Once you are satisfied with the alignment of the components carefully tighten all bolts using Allen Key (AK). Do not over-tighten.





### Step Three

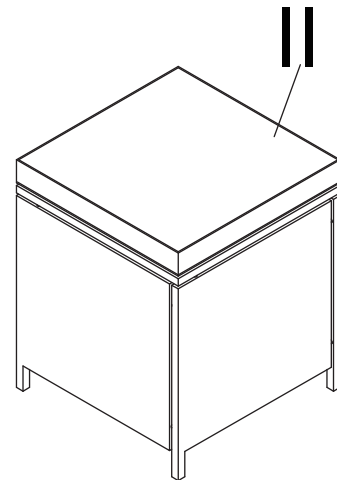
Turn the Footstool Frame in the upright position.



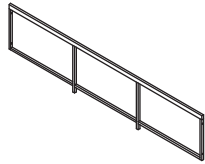
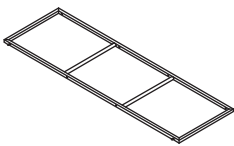
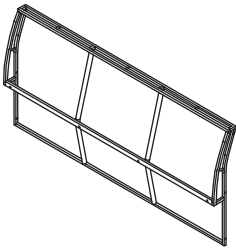
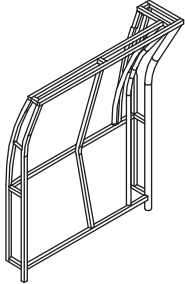
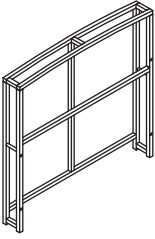
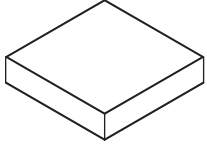
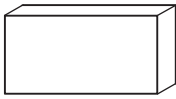
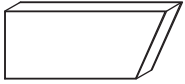
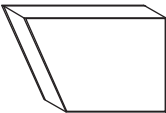



### Step Four

Attach Footstool Cushion (II) onto the Footstool Frame.

Your Footstool is now ready for use



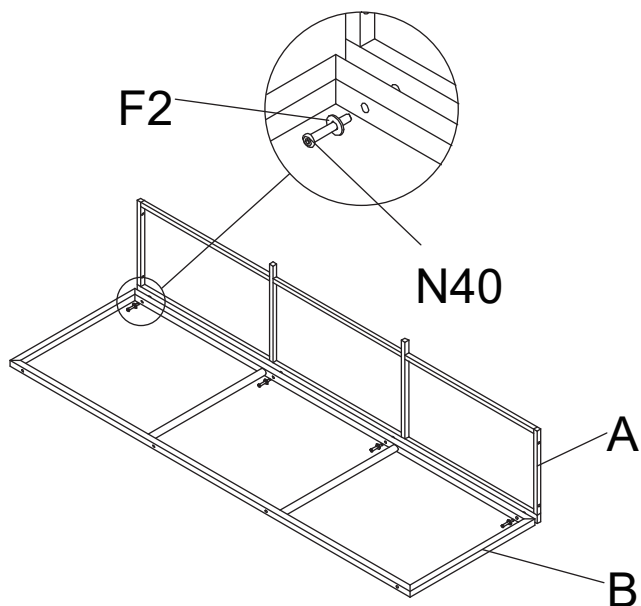
**Component 3 - 3-Seater Corner Sofa Parts List**

Part No.	Diagram	Qty.	Part No.	Diagram	Qty.
A	 Front Panel	1 PC	B	 Seat	1 PC
C	 Backrest	1 PC	D	 Left Leg	1 PC
E	 Right Leg	1 PC	EE	 Seat Cushion	3 PCS
FF	 Backrest Cushion	2 PCS	GG	 Backrest Cushion	1 PC
HH	 Side Cushion	1 PC	F2	 Washer	16 PCS
N32	 M6*32mm Bolt	8 PCS	N40	 M6*40mm Bolt	8 PCS

## Component 3 - 3-Seater Corner Sofa: Assembly Steps

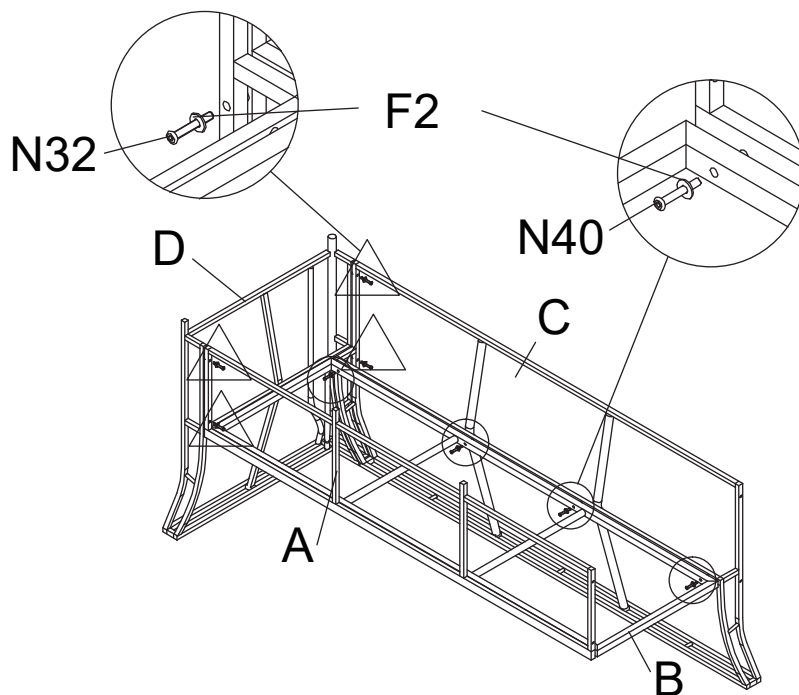
### Step One

Loosely attach the Front Panel (A) to the Seat (B) using Washers (F2) and Bolts (N40).



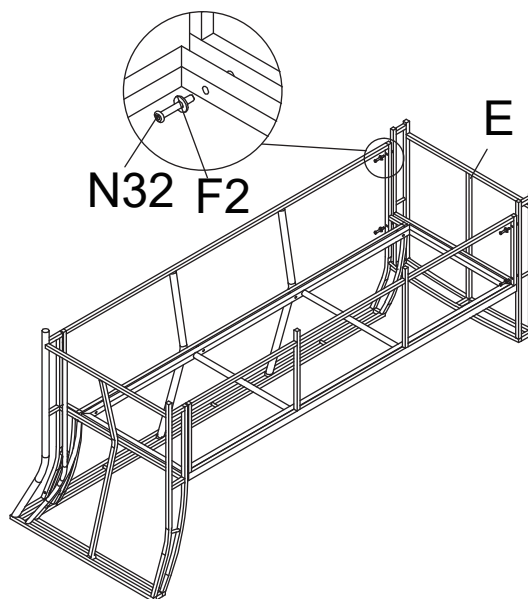
### Step Two

Loosely attach the Backrest (C) and Left Leg (D) to the Front Panel (A) and Seat (B) using Washers (F2) Bolts (N32) and Bolts (N40).



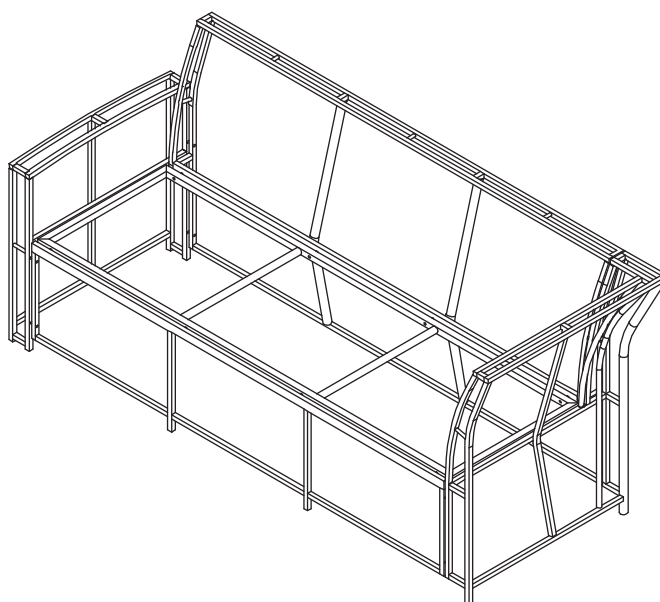
## Step Three

Loosely attach the Right Leg (E) to the above-assembled parts using Washers (F2) and Bolts (N32).

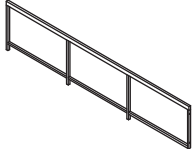
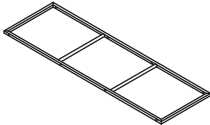
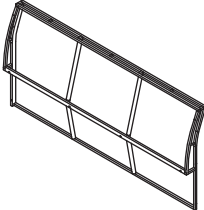
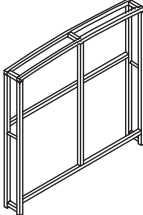
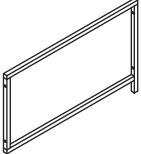
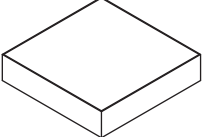
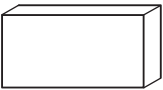

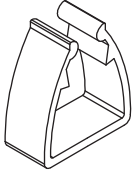





## Step Four

With the help of another person, stand the Sofa in the upright position. Please don't place the cushions onto the sofa until you combine this Sofa with another Sofa with Clips.



**Component 4 - 3-Seater Corner Sofa W/ One Arm Parts List**

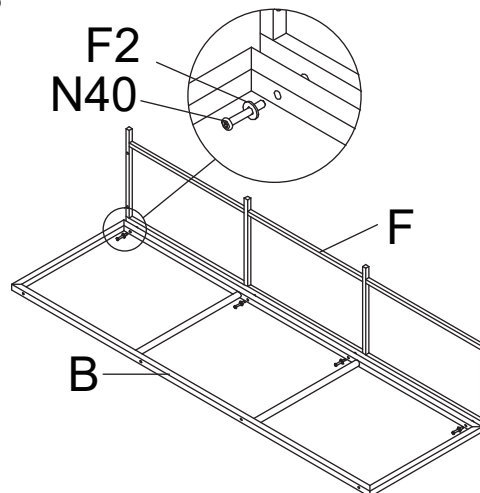
Part No.	Diagram	Qty.	Part No.	Diagram	Qty.
F	 Front Panel	1 PC	B	 Seat	1 PC
G	 Backrest	1 PC	H	 Left Leg	1 PC
I	 Right Leg	1 PC	EE	 Seat Cushion	3 PCS
FF	 Backrest Cushion	3 PCS	F2	 Washer	16 PCS
CL	 Clip	2 PCS	AK	 Allen Key	1 PC
N32	 M6*32mm Bolt	8 PCS	N40	 M6*40mm Bolt	8 PCS

**Component 4 - 3-Seater Corner Sofa W/ One Arm:**

**Assembly Steps**

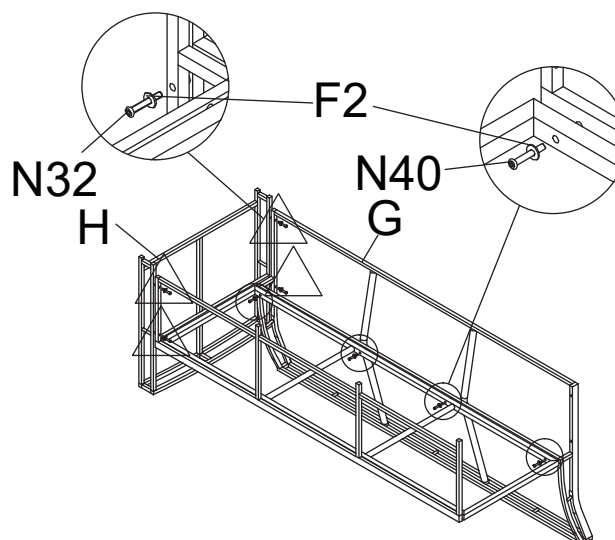
**Step One**

Loosely attach the Front Panel (F) to the Seat (B) using Washers (F2) and Bolts (N40).



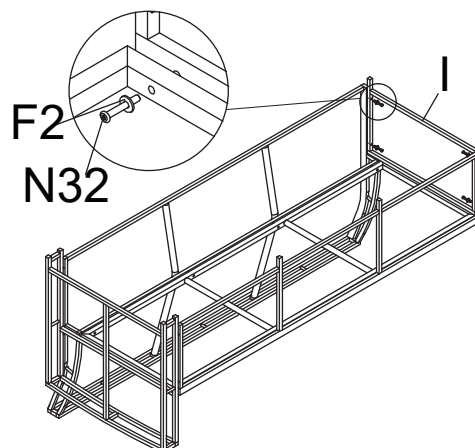
**Step Two**

Loosely attach the Backrest (G) and Left Leg (H) to the Front Panel (A) and Seat (B) using Washers (F2) Bolts (N32) and Bolts (N40).



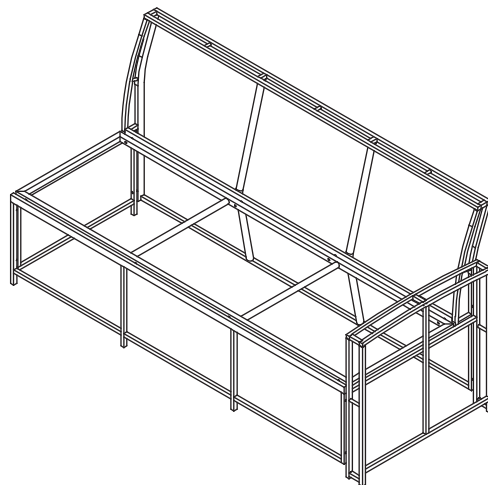
**Step Three**

Loosely attach the Right Leg (I) to the above-assembled parts using Washers (F2) and Bolts (N32).



## Step Four

With the help of another person, stand the Sofa in the upright position. Please don't place the cushions onto the sofa until you combine this Sofa with another Sofa with Clips.

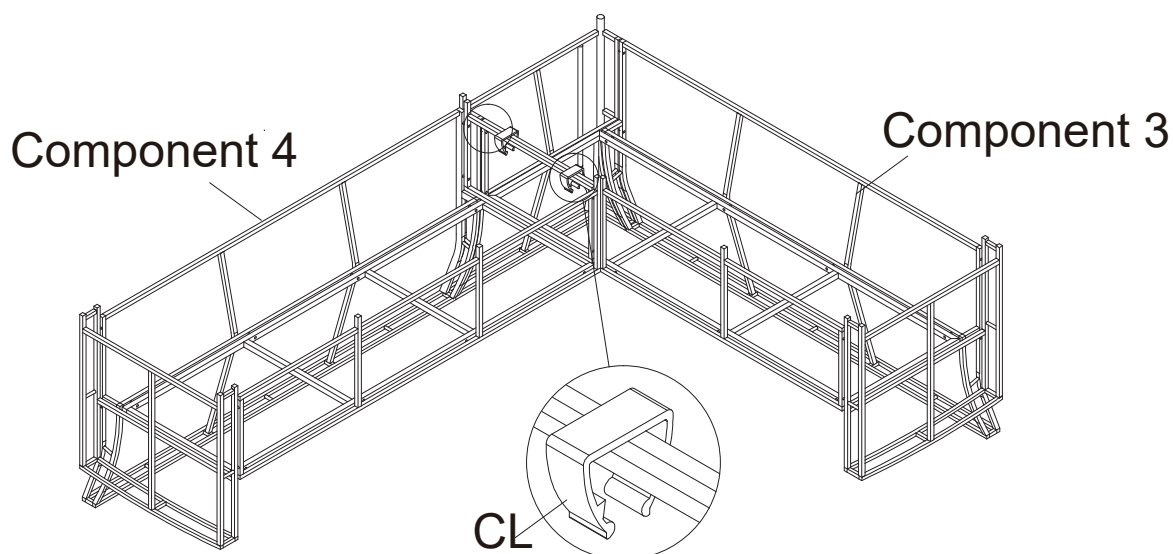


**Note: Below Steps are the assembly steps for Component 3 & 4.**

## Step Five

For the best use of your Sofa, the Sofa Components should be connected together by Clips (CL) like below diagram.

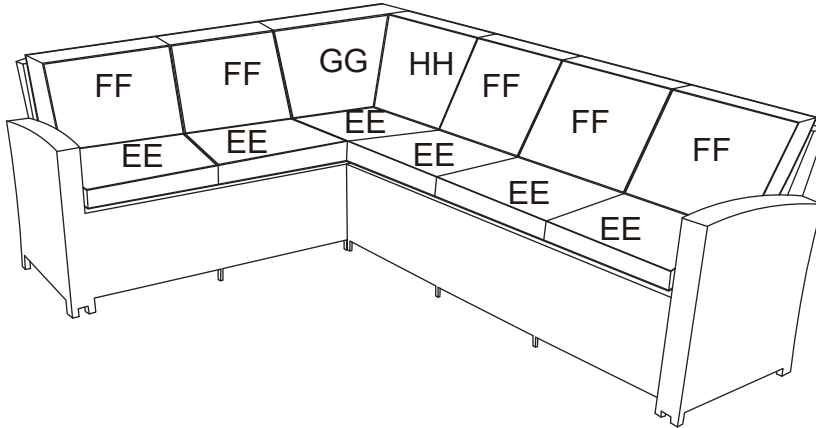
With the help of another person, turn over the sofa (3), (4) and align them. Attach the Clips (CL) to two adjacent bottom walls.



## Step Six

Stand and move the Sofa Components to the intended location for use.  
Place the Seat Cushions (EE), Backrest Cushions (FF, GG) and Side Cushion (HH) to the seats.

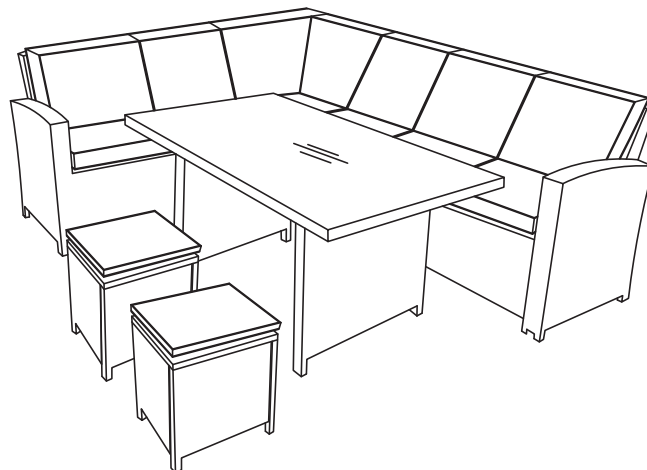
Your Sofa are ready for use.



## Step Seven

Place Dining Table and Footstools at intended location for use.

Your Corner Dining Set is ready for use.



Ensure the product is always placed firmly on the ground.

**PLEASE KEEP THESE INSTRUCTIONS FOR FUTURE REFERENCE**