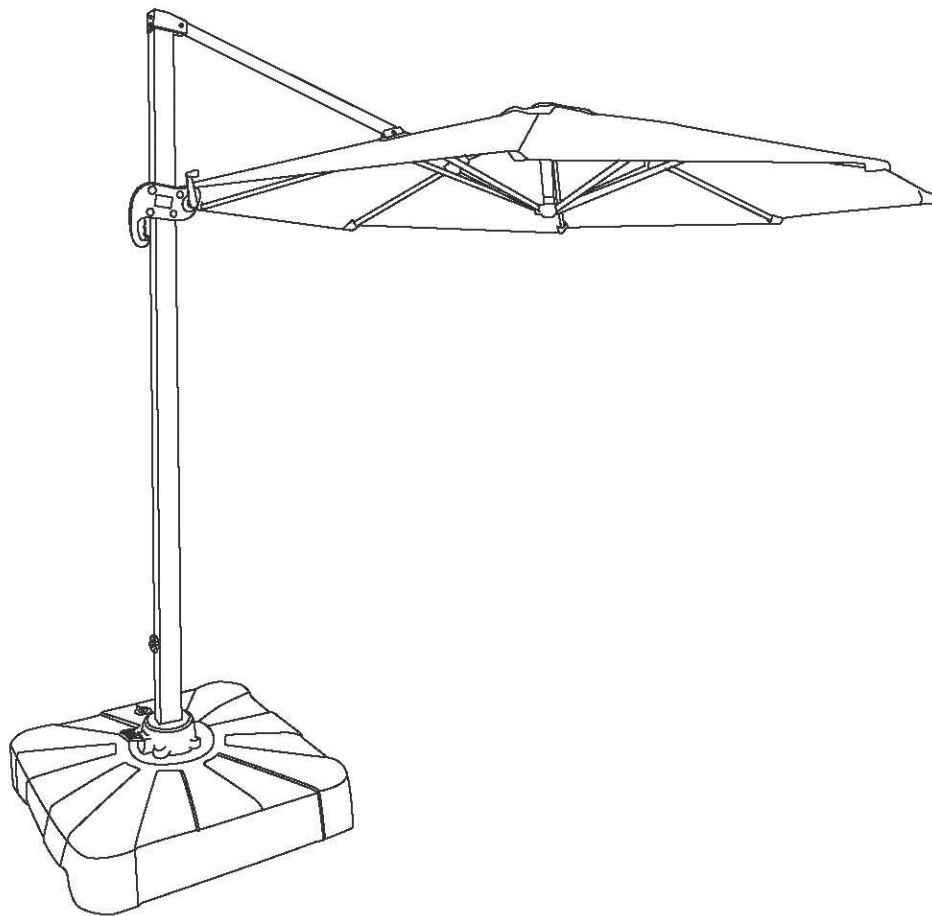


Product size:  
Parasol: W300cm x D300cm x H260cm  
Base: W85cm x D85cm x H17cm

(Note: The diagrams are for reference only.)



The intended use of this product is for domestic use only.

Important, please retain for future reference.

Read carefully.

# 3M Solar LED Overhanging Parasol With 100kg Water Fillable Base Assembly Instructions

## Before you start



### Warnings

#### **IMPORTANT, RETAIN FOR FUTURE REFERENCE READ CAREFULLY**

See enclosed instructions for assembly, safety and care information.

Failure to follow the warnings could result in serious injury.

Handle heavy parts with care.

Ensure that this product is fully assembled as illustrated before use.

This product is intended for **domestic** use only.

This product should only be used on firm, level ground.

**The product contains small parts which could pose a risk to young children. Keep small parts out of reach of children.**

**Keep hands away from folding mechanism and moving parts to prevent possible injury.**

**Never use or open this parasol without a suitable base set in place.**

Furniture can be dangerous if incorrectly used. No liability will be accepted for damage or injury caused by incorrect use of this product.



### Dos

When you are ready to start, make sure that you have the right tools, plenty of space and a clean, dry area for assembly.

Unwrap all packaging materials and place the components on suitable surface to prevent scratching your product.

Check all contents are present prior to assembly as per the parts list provided. In the event of problems or missing parts, please contact the seller.

Check all screws and bolts are tightened and inspect regularly.

Use a furniture cover to protect your product when not in use.

Ensure your item is closed when not in use.

During severe weather conditions, including high winds, rain, hail, thunderstorms, extreme heat and cold temperatures, the product should be taken down and stored inside in a cool, dry place.

Ensure that the product is clean and dry before storage.

Wipe with a damp sponge and a little warm soapy water, then dry with a clean, dry cloth. The product must be thoroughly dry to prevent mildew and mold stains from forming.

Where instructions as to the; storage, commissioning, installation, use and maintenance of the goods or (if there is none) good trade practice are not followed and a defect arises this will void the 12 month manufacturer's guarantee on the product.

### Don'ts

Do not stand or climb onto the product.

Do not use power tools to construct this product.

Do not sit or lean onto the rims of this product.

Do not use this product if parts are missing, damaged or worn.

Do not leave the parasol open when not in use or unattended.

Do not leave the parasol open when there is a risk of high winds, as damage will occur to its structure.

Do not use scourers, abrasives, washing powders, chemical cleaners or any other substances containing abrasives since these substances can damage the product.

Do not use solvent-based cleaners or detergents as they can bleach or damage the product.

Never use a pressure hose or washer to clean the product.

Never drag furniture when moving it, always lift it.

Never move this parasol when fully assembled.

To avoid damage do not allow water to collect or "pool" on the fabric.

### Number of people required for assembly

Two people



### Time to assemble



30 Minutes

### Tools required



**It is recommended that before moving heavy objects to a new location they should be completely disassembled to avoid personal injury or damage to the furniture. Please be careful to retain all fittings when doing this.**


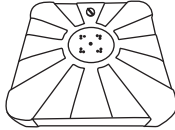
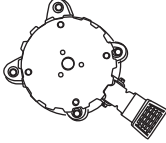
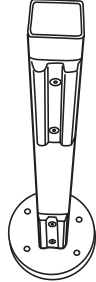
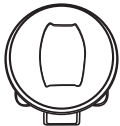
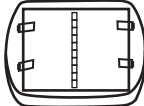

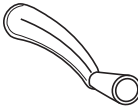
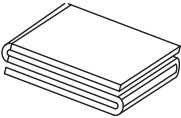

**A competent person should carry out assembly. No liability will be accepted for damage or injury caused by incorrectly installed or assembled furniture.**

# 3M Solar LED Overhanging Parasol With 100kg Water Fillable Base

## Assembly Instructions

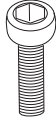
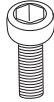
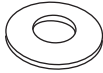
Components, fixtures & fittings (not actual size)

### Parts List

Part No.	Diagram	Qty.	Part No.	Diagram	Qty.
A	 Main Parasol	1 PC	B	 Base	1 PC
C	 Swivel	1 PC	D	 Base Pole	1 PC
E	 Swivel Cover	1 PC	F	 Solar Panel	1 PC
G	 Threaded Knob	1 PC	H	 Crank Handle	1 PC
I	 Parasol Cover	1 PC	AK	 Allen Key	1 PC



# 3M Solar LED Overhanging Parasol With 100kg Water Fillable Base Assembly Instructions

N18	 M8*18mm Bolt	4 PCS	N16	 M8*16mm Bolt	4 PCS
F3	 Washer	8 PCS			

## Safety Information

Please read and understand this entire manual before attempting to assemble or install the product.

Assemble on level ground.

Keep children away from assembly area.

Two adults are required for safe assembly.

The base is quite heavy (100kgs=220lbs) after being filled with water, special attention is necessary for your safety.

In case you want to move the parasol to a new place, please close the parasol and release the water out of the base first.

Before beginning assembly of product, make sure all parts are present.

Compare parts with package contents list. If any part is missing or damaged. Do not attempt to assemble the product.

**Carefully check all packaging materials before discarding. Make sure you have all the parts and hardware as identified on the parts list. If you are missing parts, please contact the dealer/retailer.**

# 3M Solar LED Overhanging Parasol With 100kg Water Fillable Base Assembly Instructions

## Care & Maintenance

### CANOPY CARE INSTRUCTIONS:

- Simply clean the parasol canopy with a soft brush and mild detergent.
- Do not machine wash.
- Do not iron.
- Air-dry the canopy thoroughly before storing for extended periods of time. Make sure the canopy is completely open during drying process to prevent shrinkage.
- If the painted finish gets chipped or scratched, therefore exposing the bare material beneath. It is advisable to remove any surface rust and treat with a suitable touch up paint.
- If the parasol is not to be used for long periods during the winter, store inside or under a suitable cover. Before putting into storage, ensure all of the items are clean and dry.

**DANGER: Keep children out of the assembly area during assembly.**

**WARNING:** Read the entire instructions before beginning and follow the steps outlined. Failure to assemble and install as instructed could result in the parasol tipping over causing personal injury and/or property damage.

**WARNING:** To prevent damage to the canopy, open the parasol facing the opposite direction that the wind is blowing.

**WARNING:** Do not use this parasol during periods of high winds and rain. Failure to do so may result in personal injury and/or damage.

**CAUTION:** Assemble and use parasol on a flat surface.

**CAUTION:** Placement of the parasol over or near a swimming pool can cause premature fading of the canopy. This is not covered under the warranty.

**CAUTION:** Close the parasol and use the canopy ties when parasol is not in use.

**CAUTION:** Schematics in this manual are for assembly and operation illustration only. They may differ from the parasol's actual appearance.

When raising the parasol please be aware of overhanging power cables, laundry lines and overhanging branches.

Care must be taken when opening or closing the parasol to ensure that you do not trap or pinch your fingers or clothing.

### **WARNING**

This product is not a toy. Children are not allowed to use this product without adult's guidance or presence.

# 3M Solar LED Overhanging Parasol With 100kg Water Fillable Base

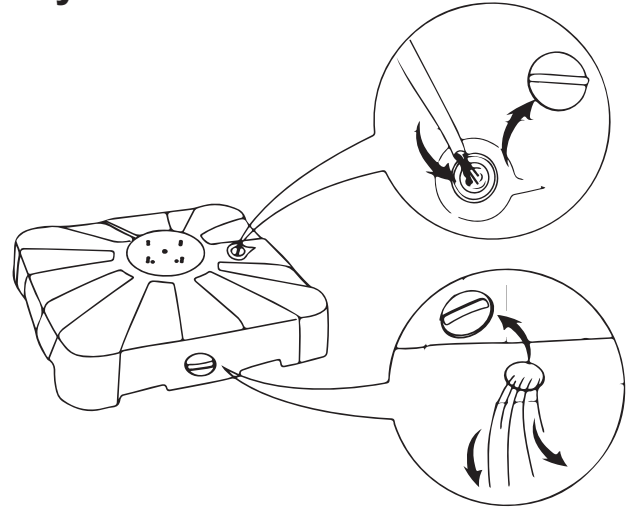
## Assembly Instructions

### Step by step assembly instructions

#### Step One

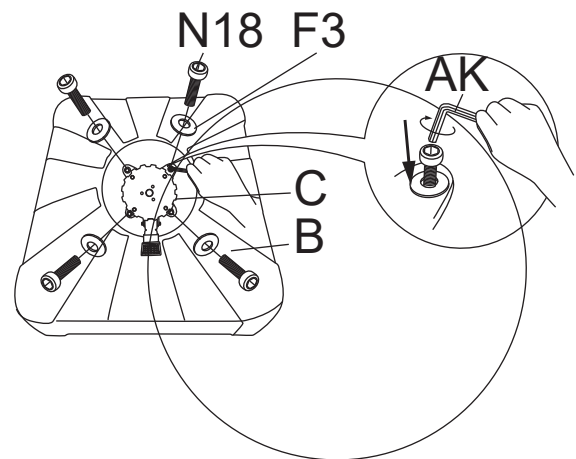
Place the Base (B) on a level ground where you intend to locate your parasol. Open the cap on the top of the base and fill the base with water. Then tighten the Cap.

The base is quite heavy when filled with water(100kgs=220lbs). In case you want to move the base, open the cap on the side of the base and release the water first.



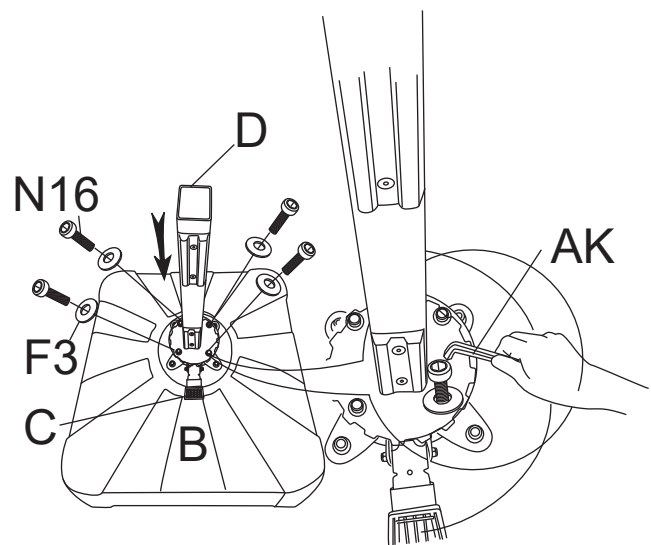
#### Step Two

Attach the Swivel (C) on top of the Base (B) with longer Bolts (N18), Washers (F3) by Allen Key (AK).



#### Step Three

Attach the Base Pole (D) on top of the Swivel (C) with shorter Bolts (N16), Washers (F3) by Allen Key (AK).

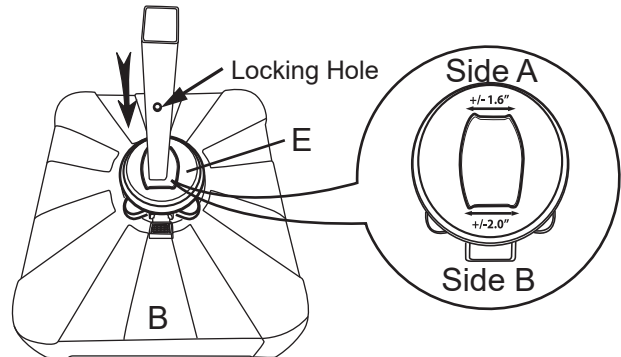


# 3M Solar LED Overhanging Parasol With 100kg Water Fillable Base Assembly Instructions

## Step Four

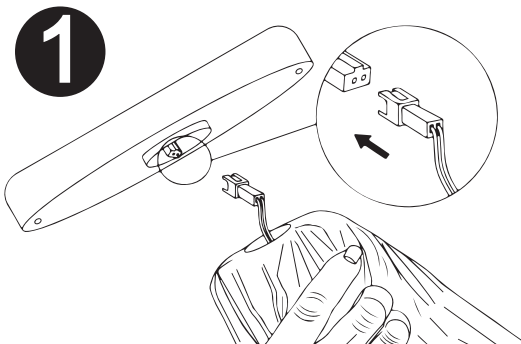
Place the Swivel Cover (E) over the Base Pole (D).

**Important Notice:**  
Pay attention to the size of the middle hole in the Swivel Cover (E).  
Side A is +/- 1.6" and  
Side B is +/- 2".  
Side B on the Swivel Cover (E) and the locking hole on the Base Pole (D) must be on the same side.

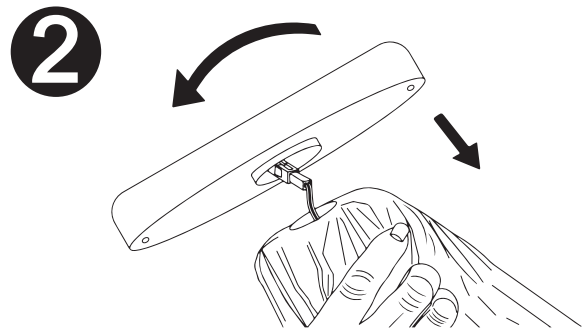


## Step Five

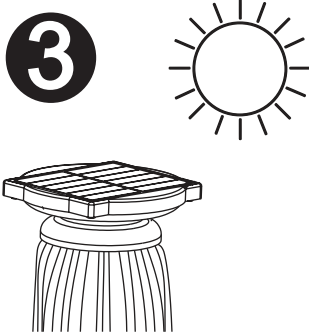
Attach the Solar Panel (F) on the top of Main Parasol (A).



Firmly but carefully connect the plug on the Solar Panel with the socket on the top of the parasol. Do not pull on wires as doing so may permanently damage the connections.



Align the notches on the Solar Panel with the grooves on the top of the parasol, hide the plug and wires inside the hollow space. Turn the Solar Panel clockwise to lock into place, do not over-tighten.



Before the first use, ensure the Solar Panel receives at least 8 hours of direct sunlight to charge the batteries.

## IMPORTANT:

The Solar Panel has a protective film to prevent damage during shipping. Remove the plastic film on the Solar Panel. Failure to remove the film will result in the Solar Panel not functioning properly.

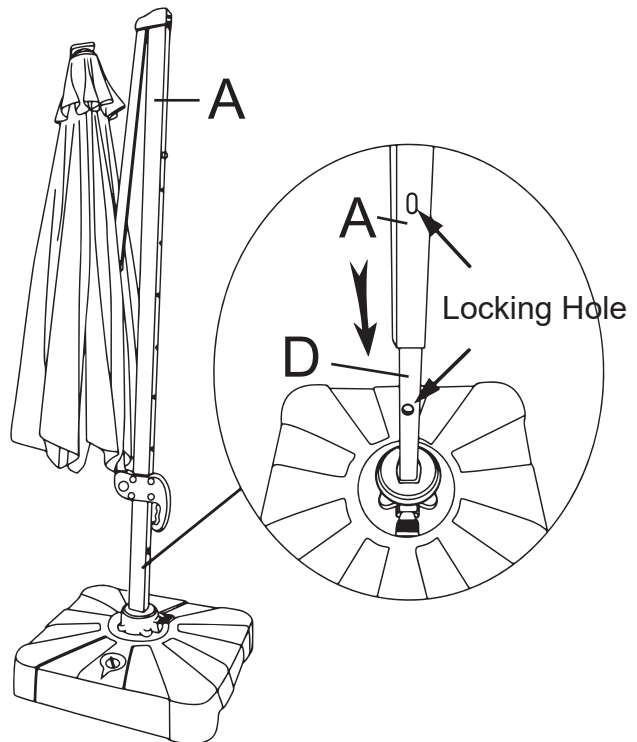
# 3M Solar LED Overhanging Parasol With 100kg Water Fillable Base Assembly Instructions

## Step Six

Place the Main Parasol (A) on top of the Base Pole (D).

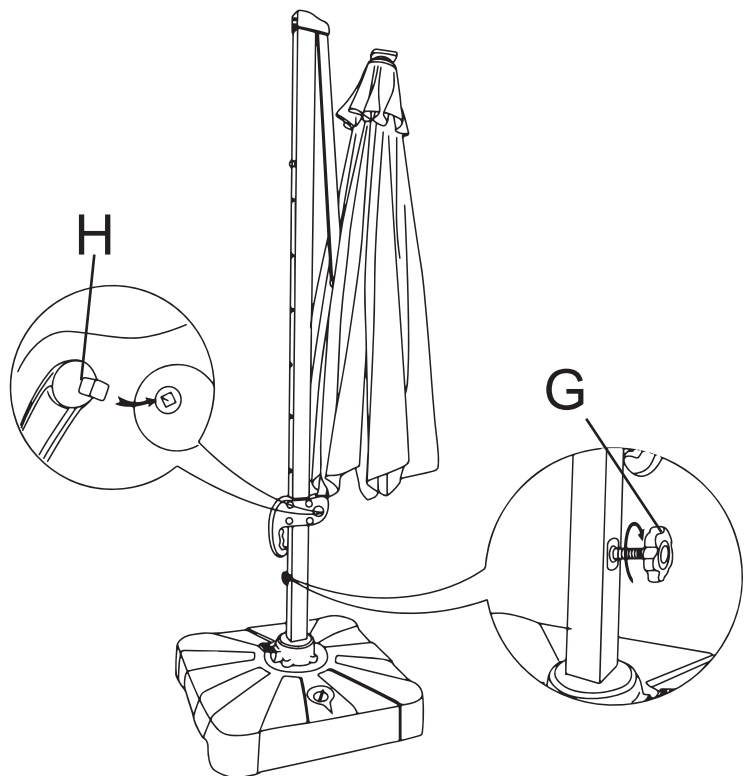
### Important Notice:

Make sure the locking hole on the Main Parasol (A) and the locking hole on the Base Pole (D) are on the same side.



## Step Seven

Insert the Crank Handle (H) into the square hole on the Main Parasol (A).  
Screw the Threaded Knob (G) into the locking hole on the Main Parasol (A).

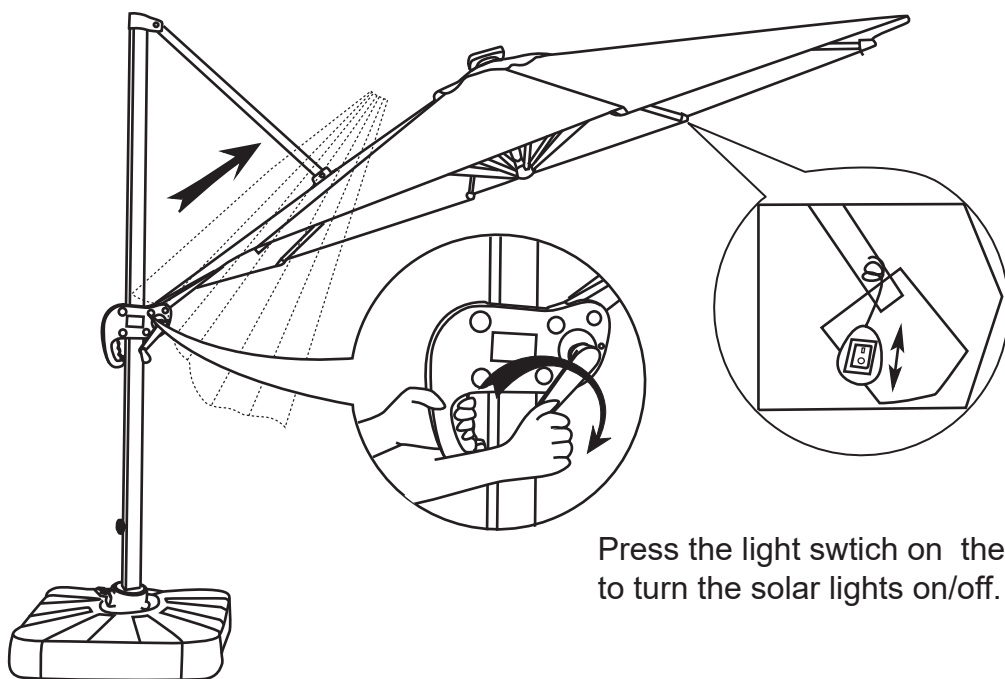
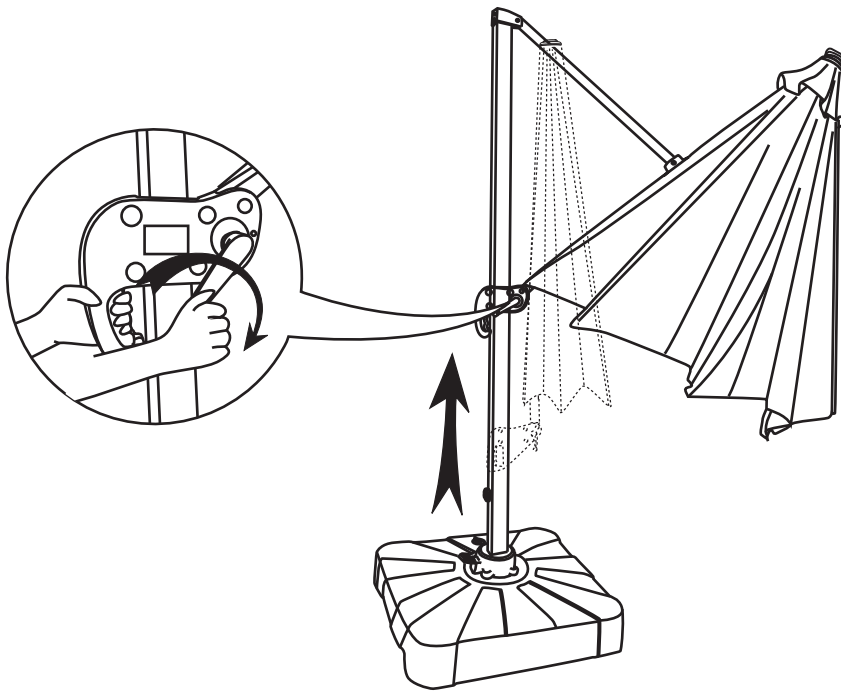




# 3M Solar LED Overhanging Parasol With 100kg Water Fillable Base Assembly Instructions

## Step Eight

Squeezing the trigger before attempting to raise the crank house. Turn the Crank handle clockwise to extend the parasol fully.

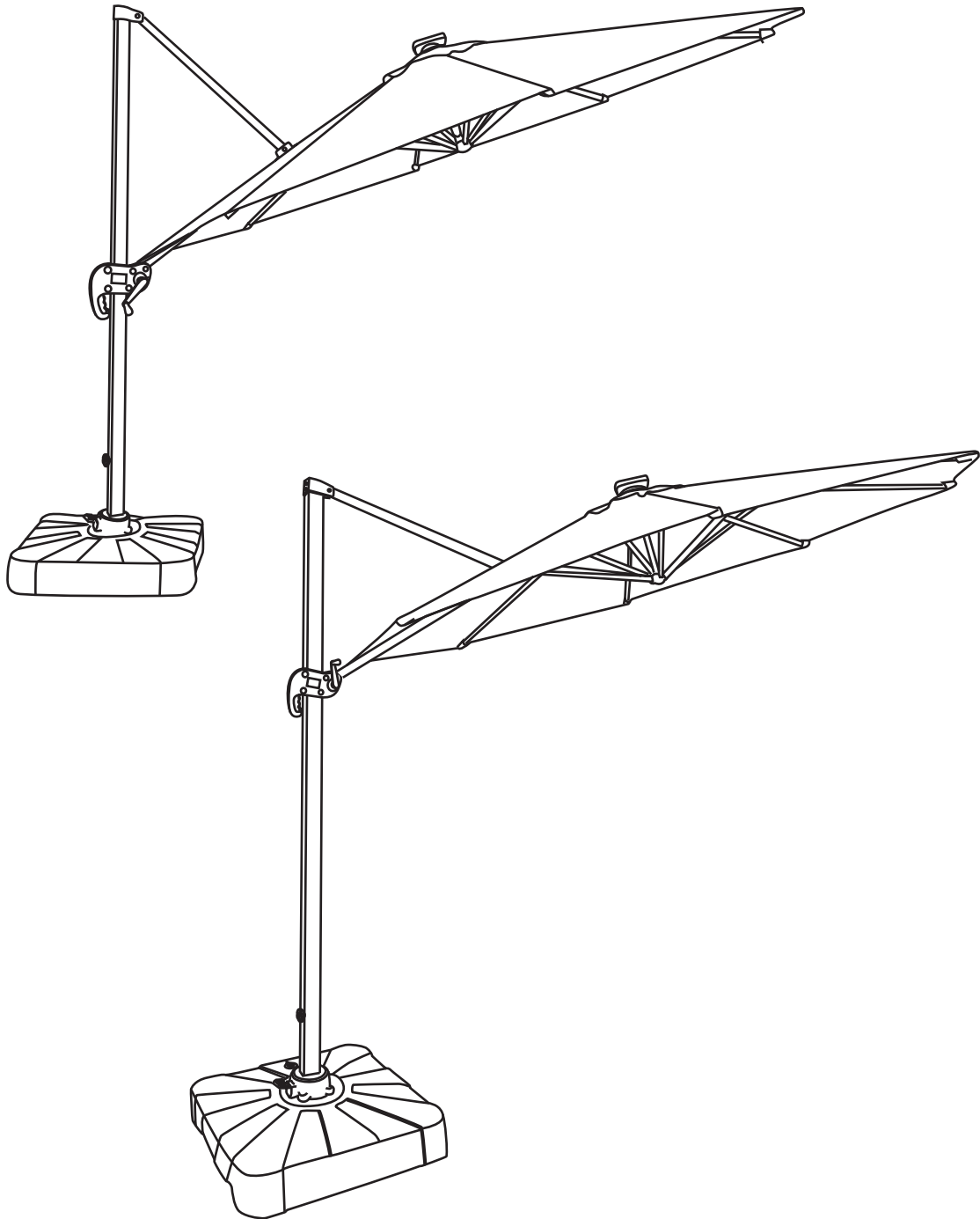


Press the light switch on the rib end to turn the solar lights on/off.

# 3M Solar LED Overhanging Parasol With 100kg Water Fillable Base Assembly Instructions

## Step Nine

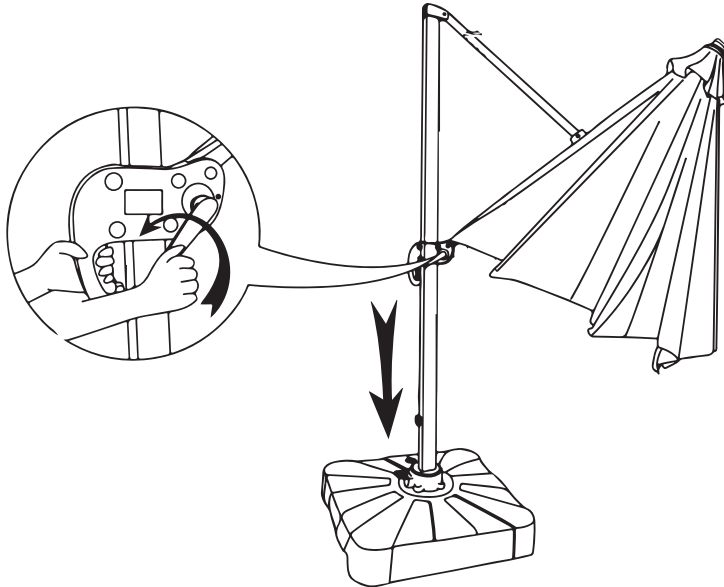
The Parasol has 6 position holes on the main pole to lock the canopy at different angles.



# 3M Solar LED Overhanging Parasol With 100kg Water Fillable Base Assembly Instructions

## Step Ten

Squeeze the trigger before attempting to lower the crank house.  
Turn the Crank Handle counter-clockwise to close the parasol.

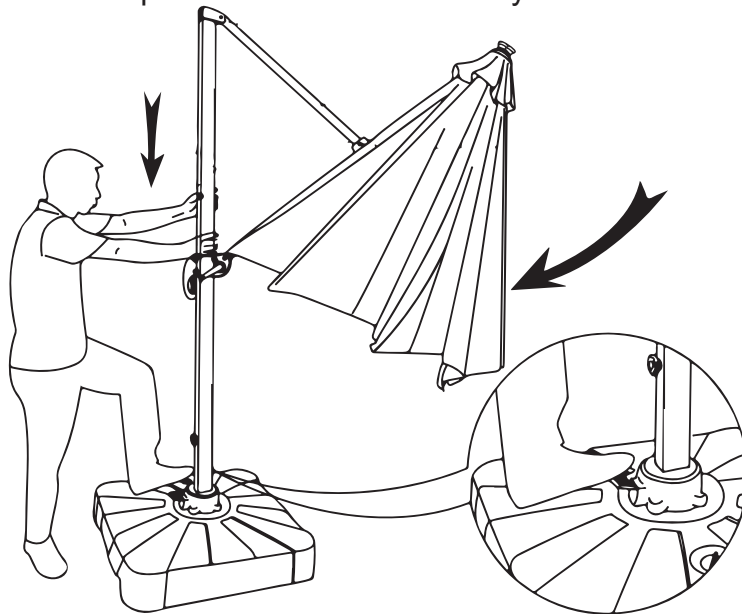


### WARNING

Please take care to keep fingers away from moving parts and crank rotating area to prevent possible injury.

## Step Eleven

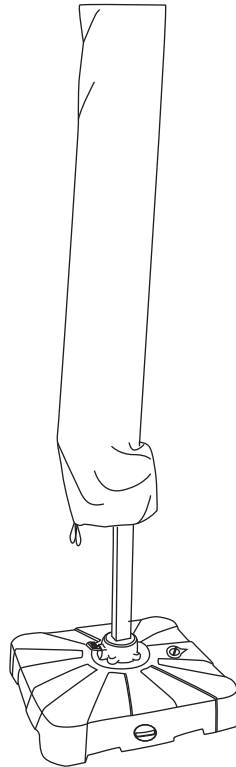
This Parasol has a 360 degree swivel mechanism. Before attempting to turn the parasol, close the parasol first and press the lever down with your foot to release the mechanism.



# 3M Solar LED Overhanging Parasol With 100kg Water Fillable Base Assembly Instructions

## Step Twelve

When not in use, place the Parasol Cover (I) over the Parasol.



## Battery Replacement

Tools required: Phillips head screw driver (not included)

We recommend that you change the batteries in your solar light parasol every year or when you feel the light output is diminished. Use only three (3) AA size Ni-MH 2000mAh rechargeable batteries from any major retailer.

- Install only new batteries of the same type in your product.
- Failure to insert batteries in the correct polarity, as indicated in the battery compartment, may shorten the life of the batteries or cause batteries to leak.
- Do not mix old and new batteries.
- Do not mix Alkaline, Nickel Cadmium or Lithium rechargeable batteries.
- Do not dispose of batteries in fire.
- Batteries should be recycled or disposed of as per state, provincial and local guidelines.

# 3M Solar LED Overhanging Parasol With 100kg Water Fillable Base Assembly Instructions

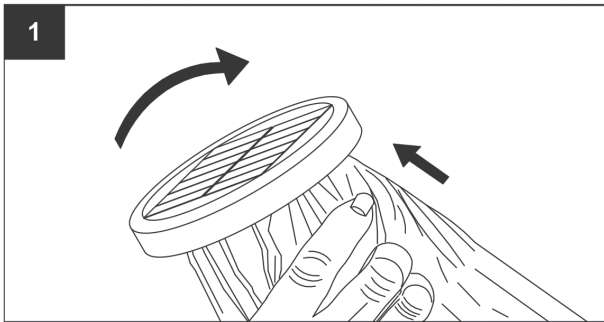
## BATTERY REPLACEMENT

Change the batteries in the solar panel every year or when the light output is diminished.

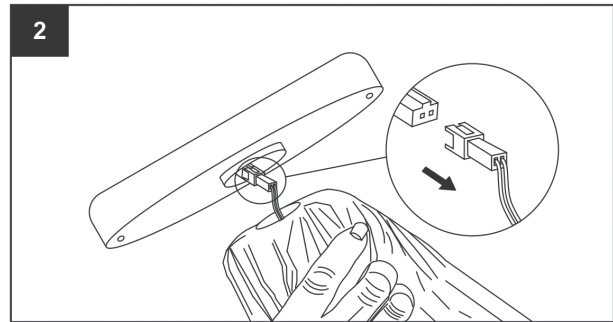
- Only install new batteries of the same type into the product; (3) 'AA' Ni-MH 2000mAh rechargeable batteries.
- Failure to insert batteries in the correct polarity, as indicated in the battery compartment, may shorten the life of the batteries or cause batteries to leak.

- Do not mix old and new batteries.
- Do not mix Alkaline, Nickel Cadmium or Lithium rechargeable batteries.
- Recycle batteries in accordance with local laws and regulations.

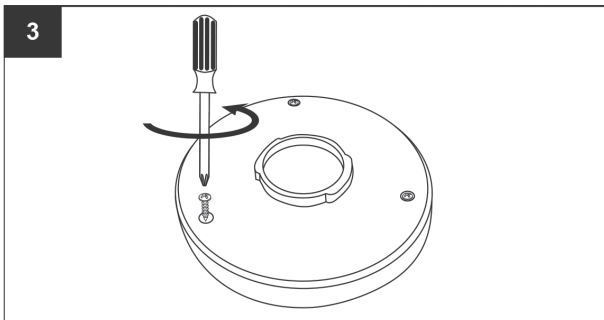
Tools required: Phillips screwdriver (not included)



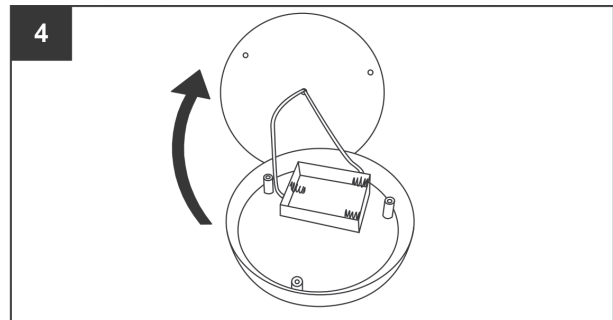
Twist the solar panel counterclockwise and gently lift the panel off the umbrella. Take care not to pull on the cords.



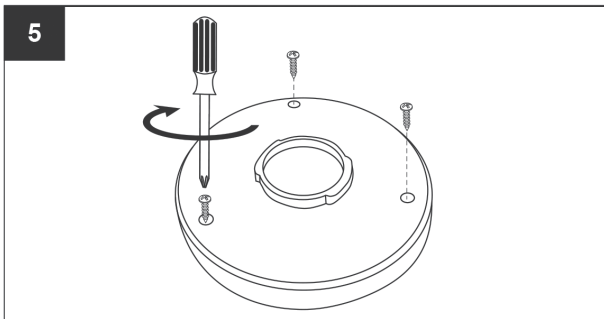
Carefully disconnect the plug from the socket by pressing the tabs surrounding the connection point. Pull apart by holding the plug, never pull on the wires.



Place the solar panel face-down on a soft, clean surface. Remove (3) screws from the bottom of the panel.



Carefully lift the bottom of the panel, ensuring the wires remain intact. Gently remove the old batteries. Paying attention to the positive and negative terminals, insert new batteries.



Carefully replace the bottom of the panel and align the screw holes. Secure the panel with the screws removed in step 3. Do not over-tighten the screws.



This product uses a rechargeable battery. When the battery can no longer be used, it should be removed from the unit and recycled. The battery must not be incinerated or composted. Recycle the battery in accordance with local laws and regulations.

**PLEASE KEEP THESE INSTRUCTIONS FOR FUTURE REFERENCE**

[www.royalcraft.co.uk](http://www.royalcraft.co.uk)