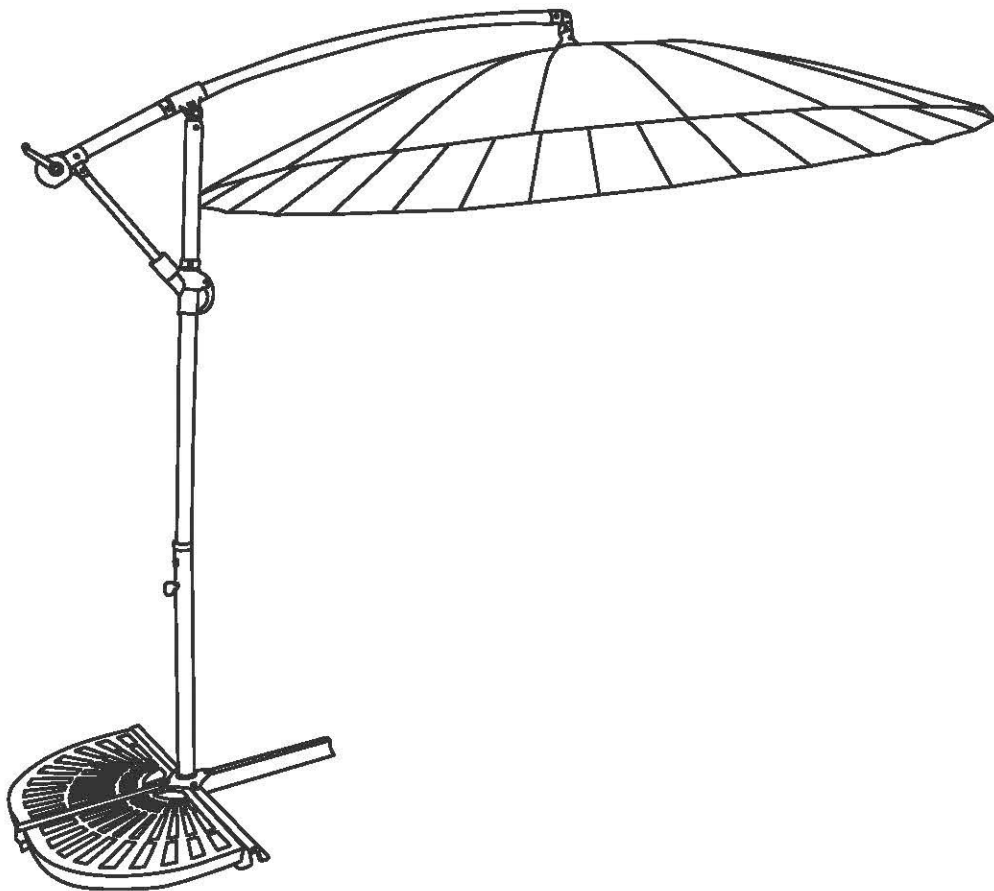


Product size:
Dia300*H245 cm

(Diagrams are only for assembly reference only)

(Bases are not provided with this product)



The intended use of this product is for domestic use only.

Important, please retain for future reference.

Read carefully.



3m Shanghai Cantilever Parasol

Assembly Instructions

Before you start

Warnings

IMPORTANT, RETAIN FOR FUTURE REFERENCE READ CAREFULLY

See enclosed instructions for assembly, safety and care information.

Failure to follow the warnings could result in serious injury.

Handle heavy parts with care.

Ensure that this product is fully assembled as illustrated before use.

This product is intended for **domestic** use only.

This product should only be used on firm, level ground.

The product contains small parts which could pose a risk to young children. Keep small parts out of reach of children.

Keep hands away from folding mechanism and moving parts to prevent possible injury.

Never use or open this parasol without a suitable base set in place.

Furniture can be dangerous if incorrectly used. No liability will be accepted for damage or injury caused by incorrect use of this product.

Dos

When you are ready to start, make sure that you have the right tools, plenty of space and a clean, dry area for assembly.

Unwrap all packaging materials and place the components on suitable surface to prevent scratching your product.

Check all contents are present prior to assembly as per the parts list provided. In the event of problems or missing parts, please contact the seller.

Check all screws and bolts are tightened and inspect regularly.

Use a furniture cover to protect your product when not in use.

Ensure your item is closed when not in use.

During severe weather conditions, including high winds, rain, hail, thunderstorms, extreme heat and cold temperatures, the product should be taken down and stored inside in a cool, dry place.

Ensure that the product is clean and dry before storage.

Wipe with a damp sponge and a little warm soapy water, then dry with a clean, dry cloth. The product must be thoroughly dry to prevent mildew and mold stains from forming.

Where instructions as to the; storage, commissioning, installation, use and maintenance of the goods or (if there is none) good trade practice are not followed and a defect arises this will void the 12 month manufacturer's guarantee on the product.

Don'ts

Do not stand or climb onto the product.

Do not use power tools to construct this product.

Do not sit or lean onto the rims of this product.

Do not use this product if parts are missing, damaged or worn.

Do not leave the parasol open when not in use or unattended.

Do not leave the parasol open when there is a risk of high winds, as damage will occur to its structure.

Do not use scourers, abrasives, washing powders, chemical cleaners or any other substances containing abrasives since these substances can damage the product.

Do not use solvent-based cleaners or detergents as they can bleach or damage the product.

Never use a pressure hose or washer to clean the product.

Never drag furniture when moving it, always lift it.

Never move this parasol when fully assembled.

To avoid damage do not allow water to collect or "pool" on the fabric.

Number of people required for assembly

One person



Time to assemble



30 Minutes

Tools required



It is recommended that before moving heavy objects to a new location they should be completely disassembled to avoid personal injury or damage to the furniture. Please be careful to retain all fittings when doing this.

A competent person should carry out assembly. No liability will be accepted for damage or injury caused by incorrectly installed or assembled furniture.

www.royalcraft.co.uk

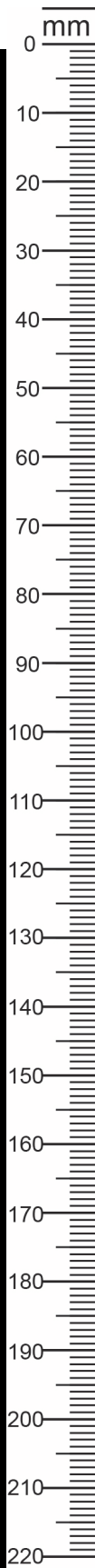


3m Shanghai Cantilever Parasol

Assembly Instructions

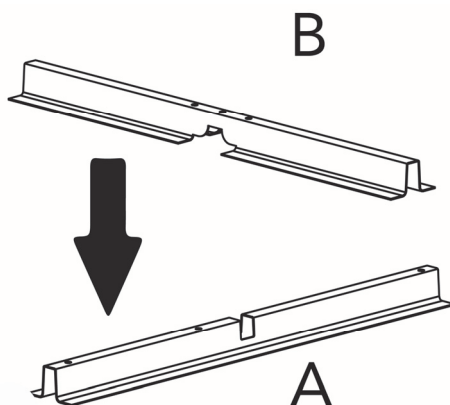
Components, fixtures & fittings (not actual size)

Parts List					
Part No.	Diagram	Qty.	Part No.	Diagram	Qty.
A		1 PC	B		1 PC
C		1 PC	D		1 PC
E		2 PCS	F3		4 PCS
F63		4 PCS	F1		1 PC

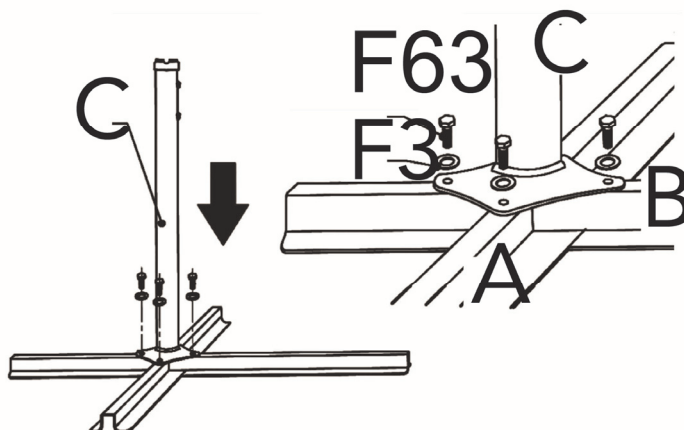


Step by step assembly instructions

Step One



Step Two



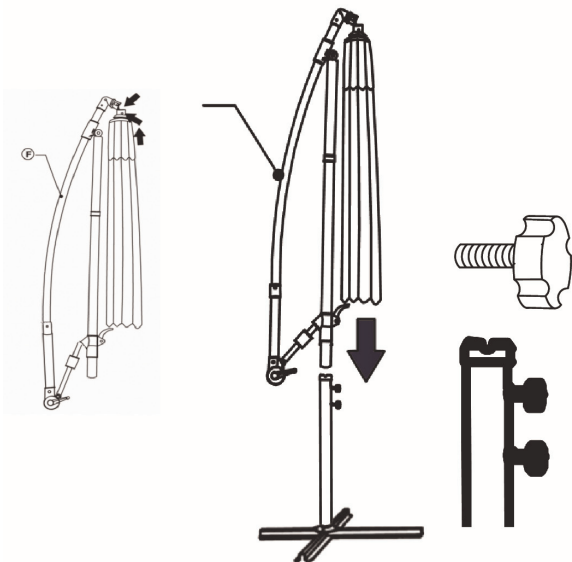
WARNING

This product is not a toy. Children are not allowed to use this product without adult's guidance or presence.

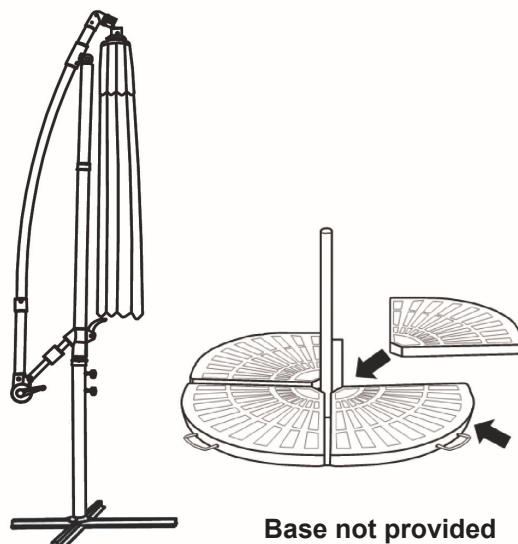
3m Shanghai Cantilever Parasol

Assembly Instructions

Step Three

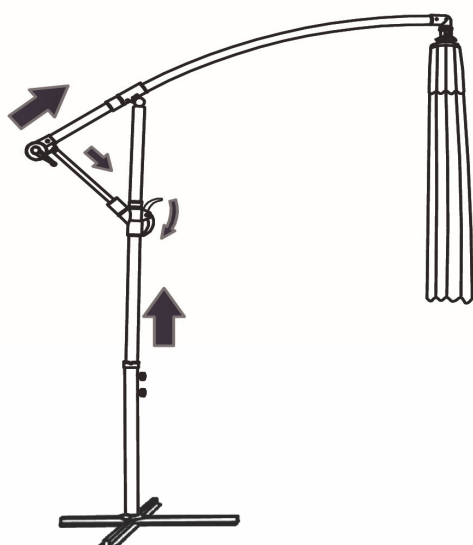


Step Four



Base not provided

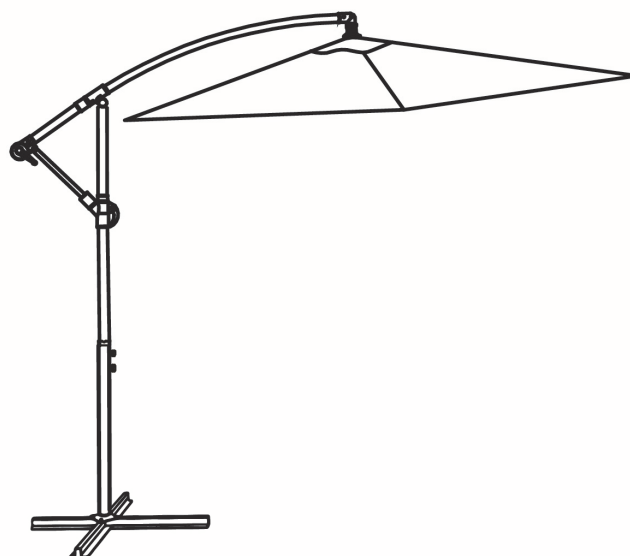
Step Five



WARNING

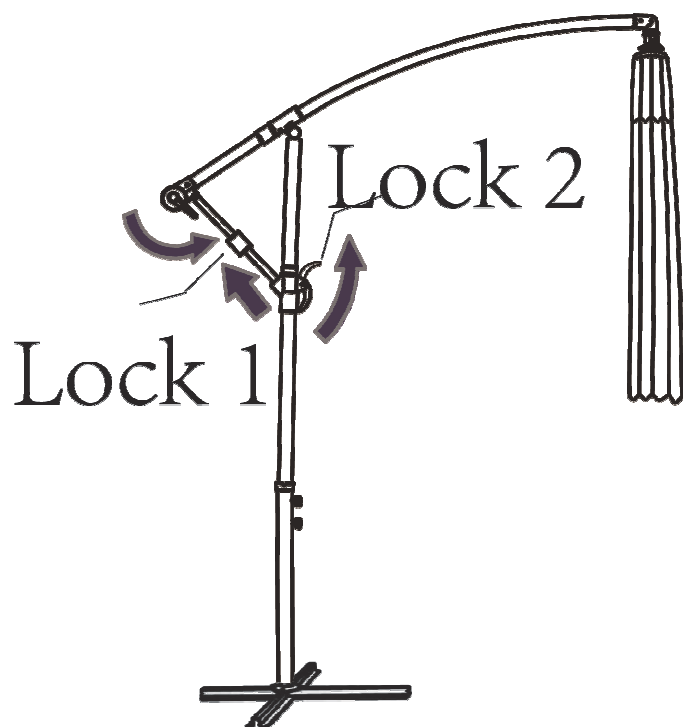
Please take care to keep fingers away from moving parts and crank rotating area to prevent possible injury.

Step Six

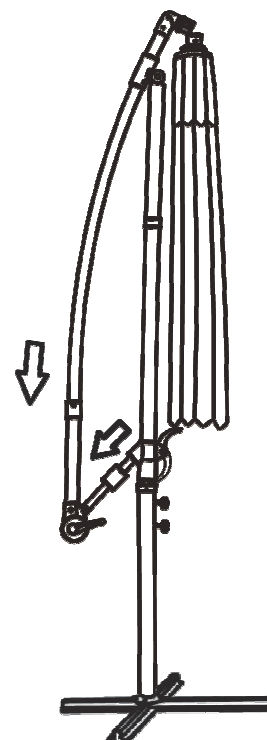


(Diagrams are only for assembly reference only)

Step Seven



Step Eight



Suitable parasol bases should be used together with this parasol!

PLEASE KEEP THESE INSTRUCTIONS FOR FUTURE REFERENCE