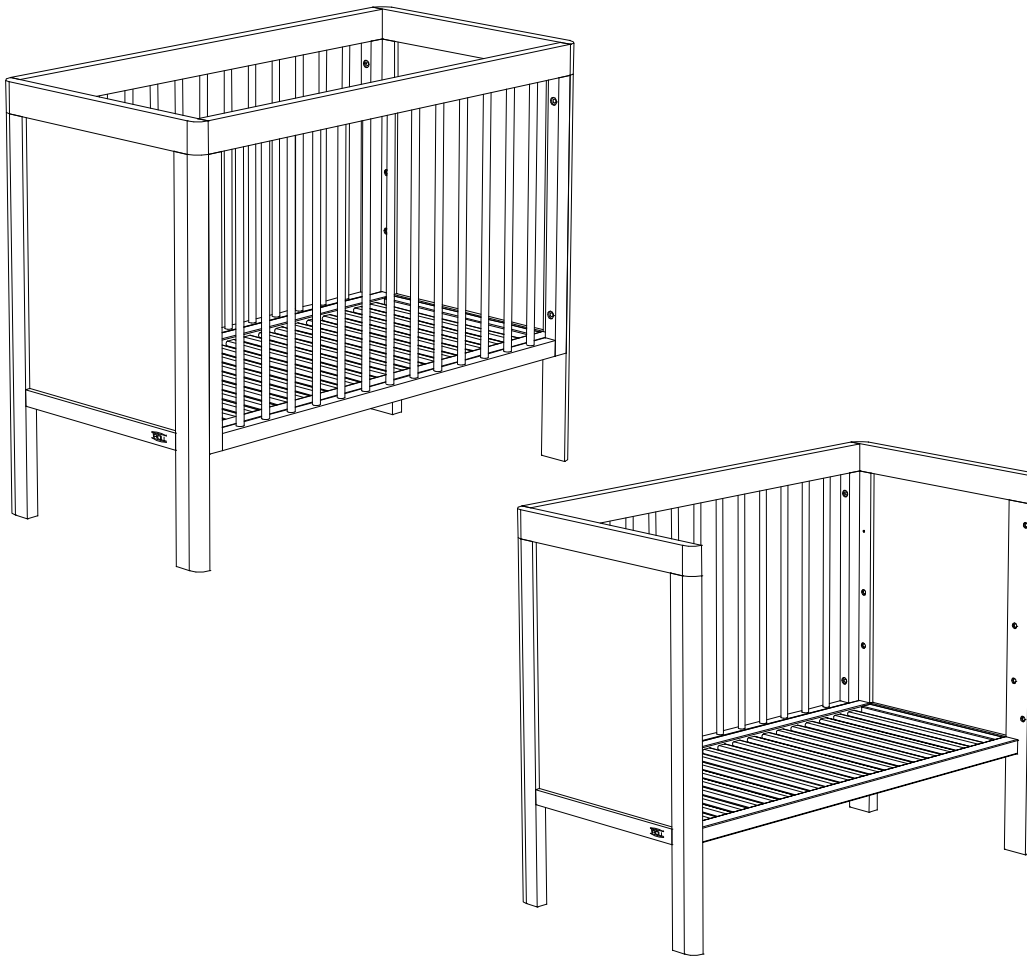


## LUKAS MINI COT / SOFA



**IMPORTANT  
RETAIN FOR FUTURE REFERENCE  
READ CAREFULLY**

The illustrations in these instructions are to be used as a guide only  
Conforms to standard BS EN 716-1&2:2008 + A1:2013  
Made in Latvia

## SAFETY INSTRUCTIONS

Your child's safety is your responsibility.

Remove all parts from packaging and check against the parts list.

Do not discard any packaging until you are sure you have all parts and the pack of fittings.

You will find it easier to assemble the cot if a second adult is available to help you.

**WARNING :** Be aware of the risk of open fires and other sources of strong heat, such as electric bar fires, gas fires etc in the near vicinity of the cot.

**WARNING :** Do not use if any part of the cot is broken, torn or missing and use only spare parts approved by the manufacturer.

**WARNING :** Do not leave anything in the cot or place close to another product, which could provide a foothold or present a danger of suffocation or strangulation e.g. strings, blind/curtain cords etc.

**WARNING :** Do not use more than one mattress in the cot.

One end of the cot has a mark indicating the maximum height of the mattress.

The thickness of the mattress must not reduce the internal depth from mattress surface to top of the cot side above it to less than 500 mm in the lowest position and 200 mm in the highest position of the mattress base.

The lowest mattress base positions is the safest and should always be used as soon as the baby is old enough to sit up.

Mattress base length and width shall be such that the gap between the mattress and the sides and ends does not exceed 30mm.

The recommended mattress size for the cot is 102 x 50 cm and maximum thickness 10 cm.

Check regularly to ensure that all the components are secure and retighten as necessary.

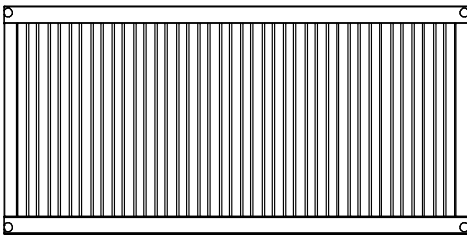
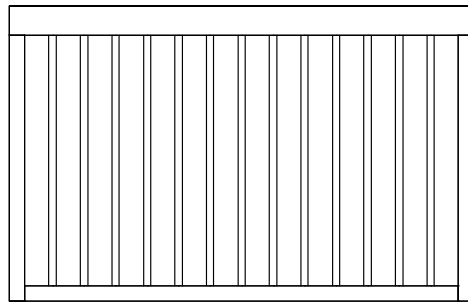
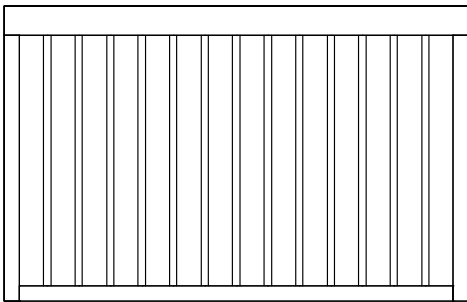
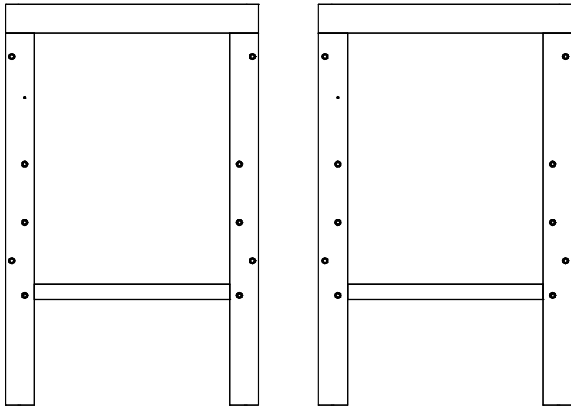
To prevent injury from falls, when the child is able to climb out of the cot, the cot shall no longer be used for that child.

To clean use a damp cloth, avoiding the use of strong detergents or abrasives.

## CUSTOMER ENQUIRIES

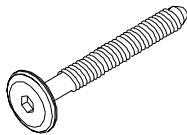
[www.troll.lv](http://www.troll.lv)

## PARTS LIST

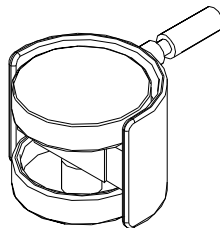


## FITTINGS LIST

Ⓐ = 8  
45 mm



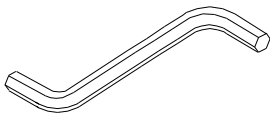
Ⓓ = 4



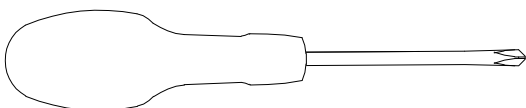
Ⓑ = 4



Ⓒ = 1

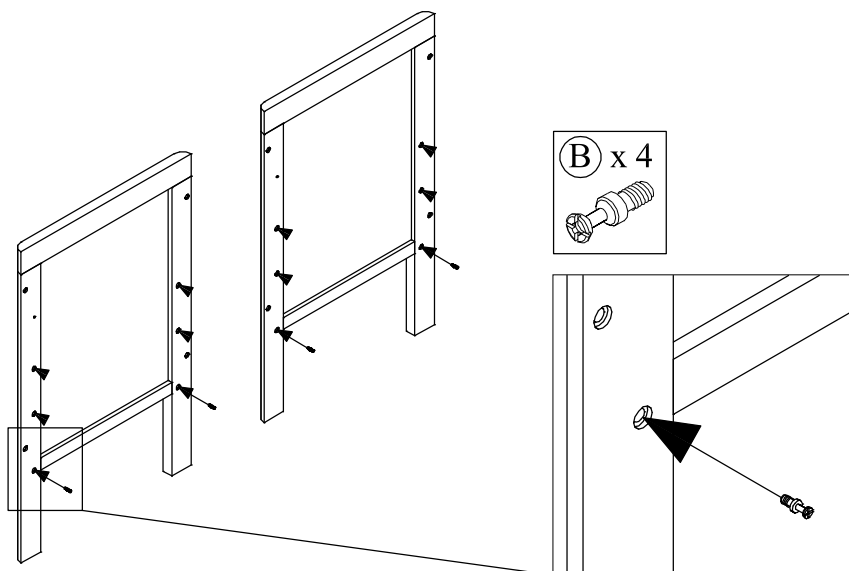


## TOOLS REQUIRED



# ASSEMBLING - COT

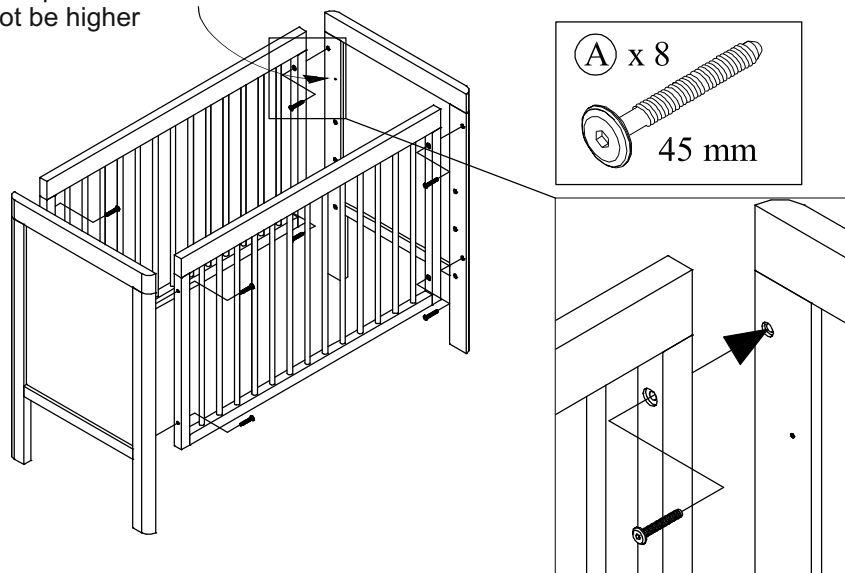
1



Insert screws B for fitting mattress base in one of three height positions.

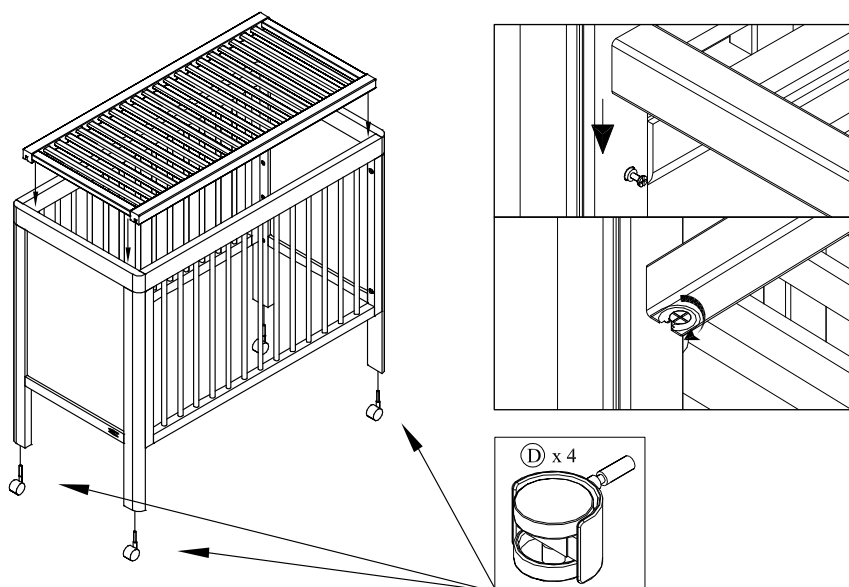
2

**WARNING!** The top of the mattress surface must not be higher than this mark!



Do not tighten screws A.

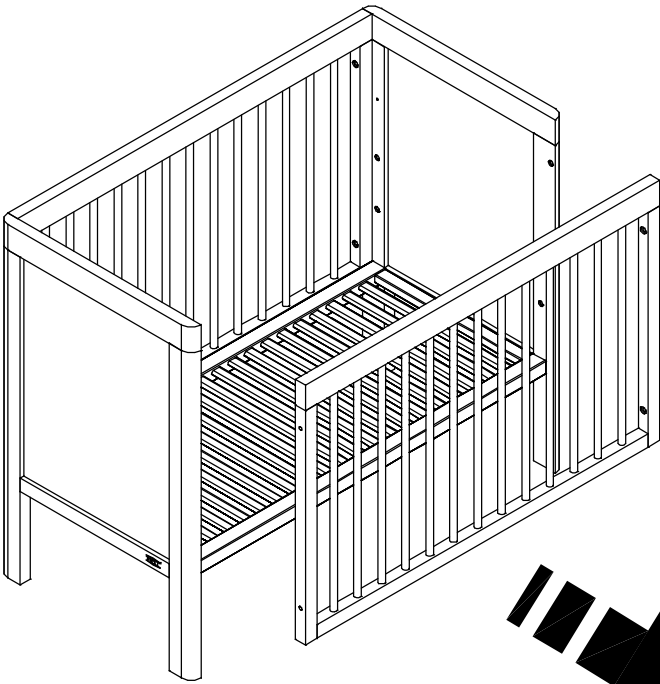
3



Drop mattress base onto screw in dowel pins. Tighten the cams on front underside of mattress base using a crosshead screwdriver.

Tighten screws A.

Attach the wheels.



**WARNING!**

"SOFA" is designed to use for children!

