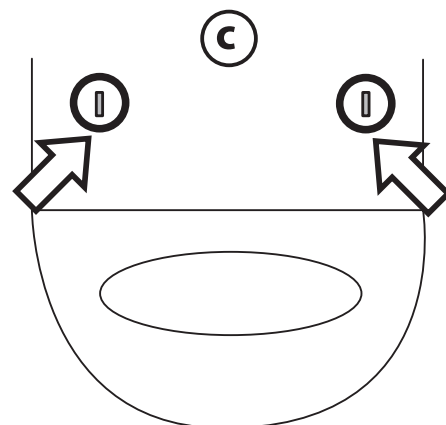
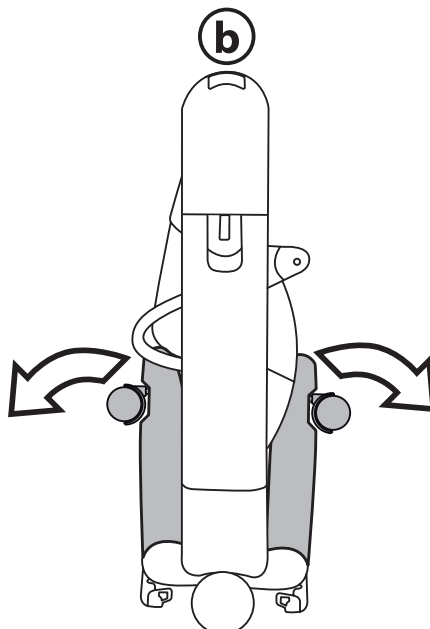
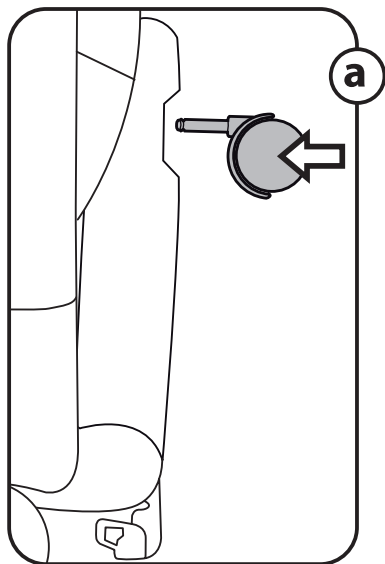




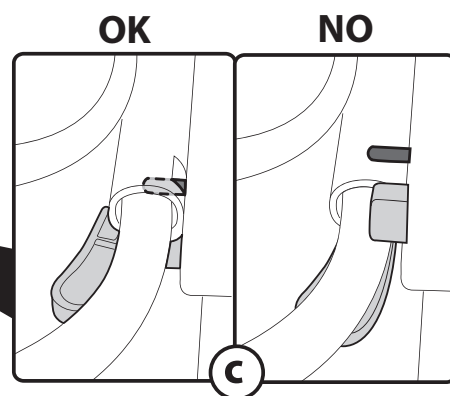
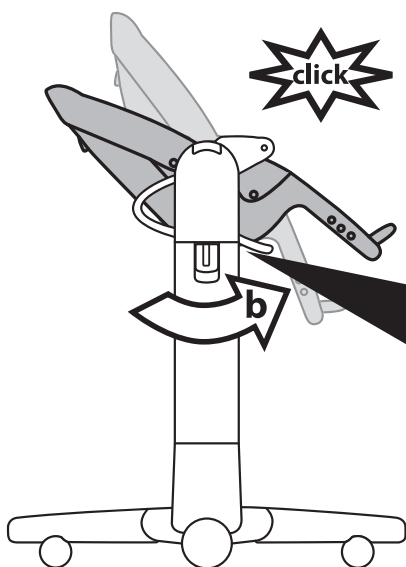
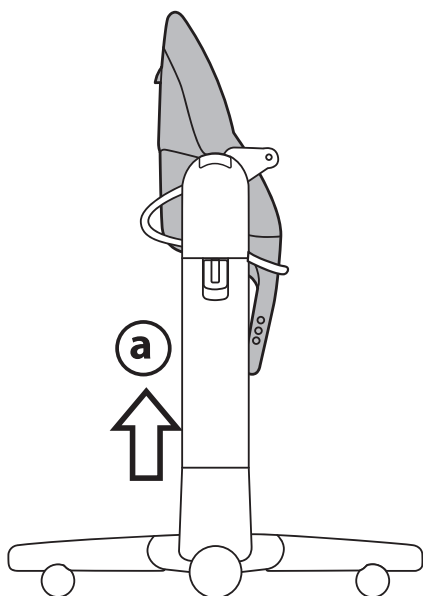
- IT Istruzioni d'uso
- EN Instructions for use
- FR Notice d'emploi
- DE Gebrauchsanleitung
- ES Instrucciones de uso
- PT Instruções para uso
- NL Gebruiksaanwijzing
- DK Brugsanvisning
- FI Käyttöohjeet
- CZ Návod na použití
- SK Návod na použitie
- HU Használati útmutató
- SL Navodila za uporabo
- RU Инструкции по пользованию
- TR Kullanım klavuzu
- EL Οδηγίες χρήσεως

# tatamia

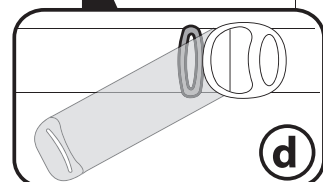
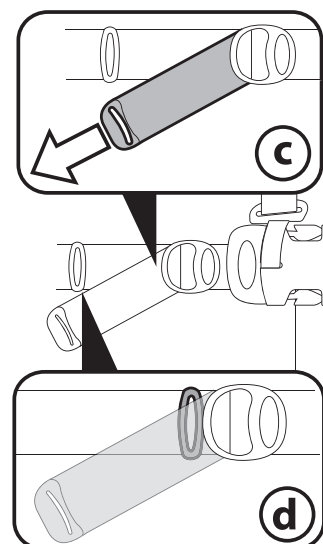
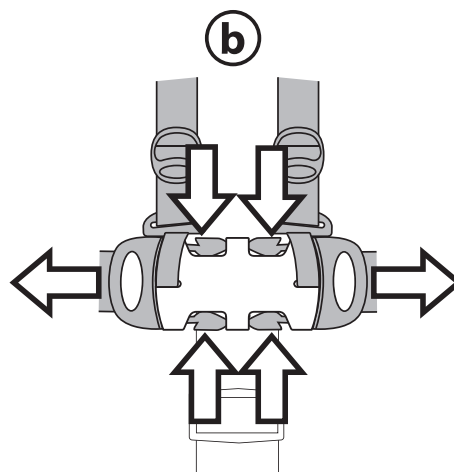
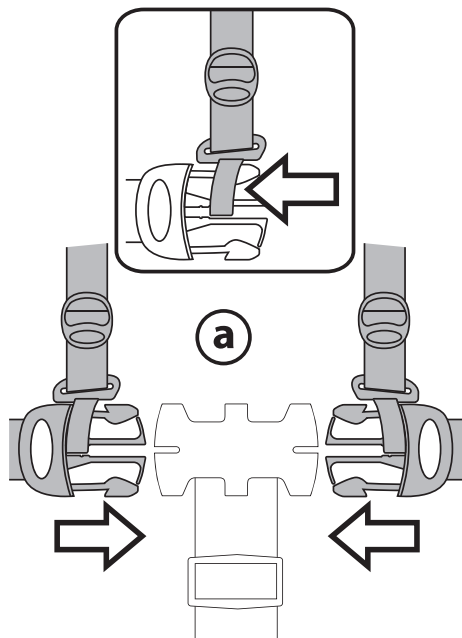
1



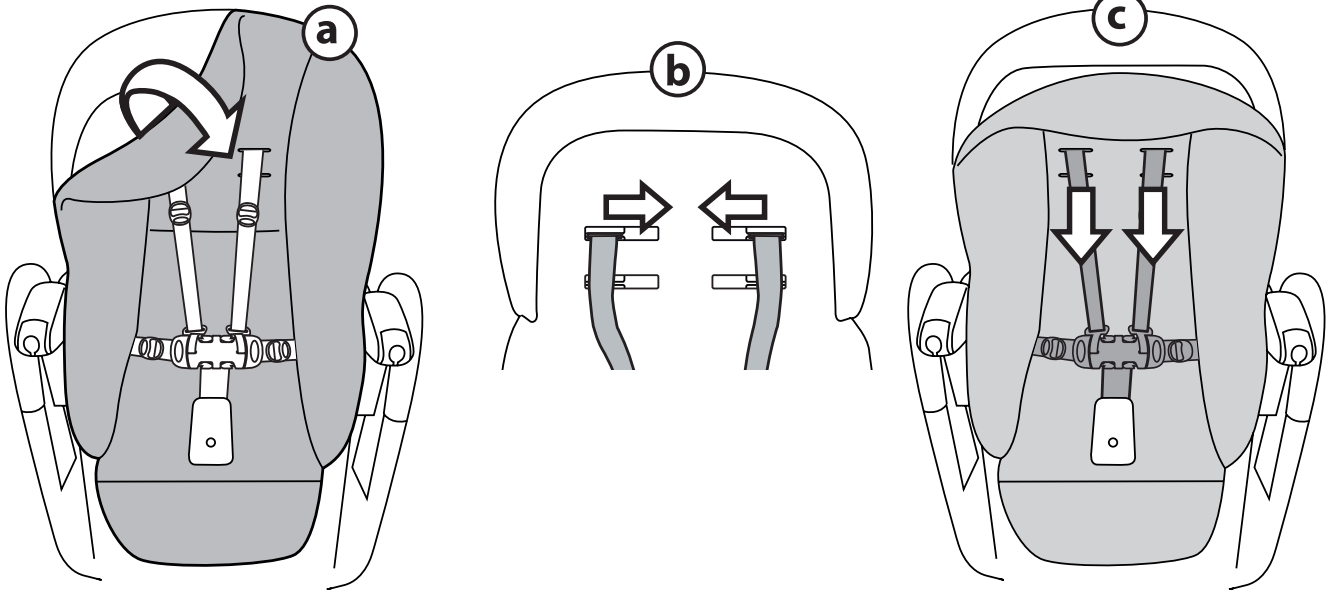
2



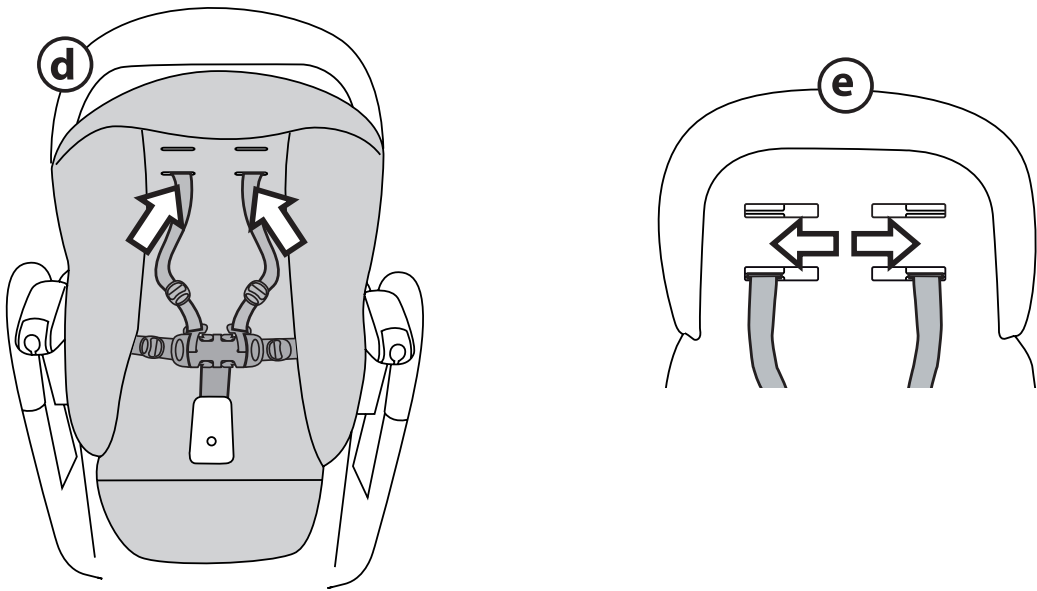
3



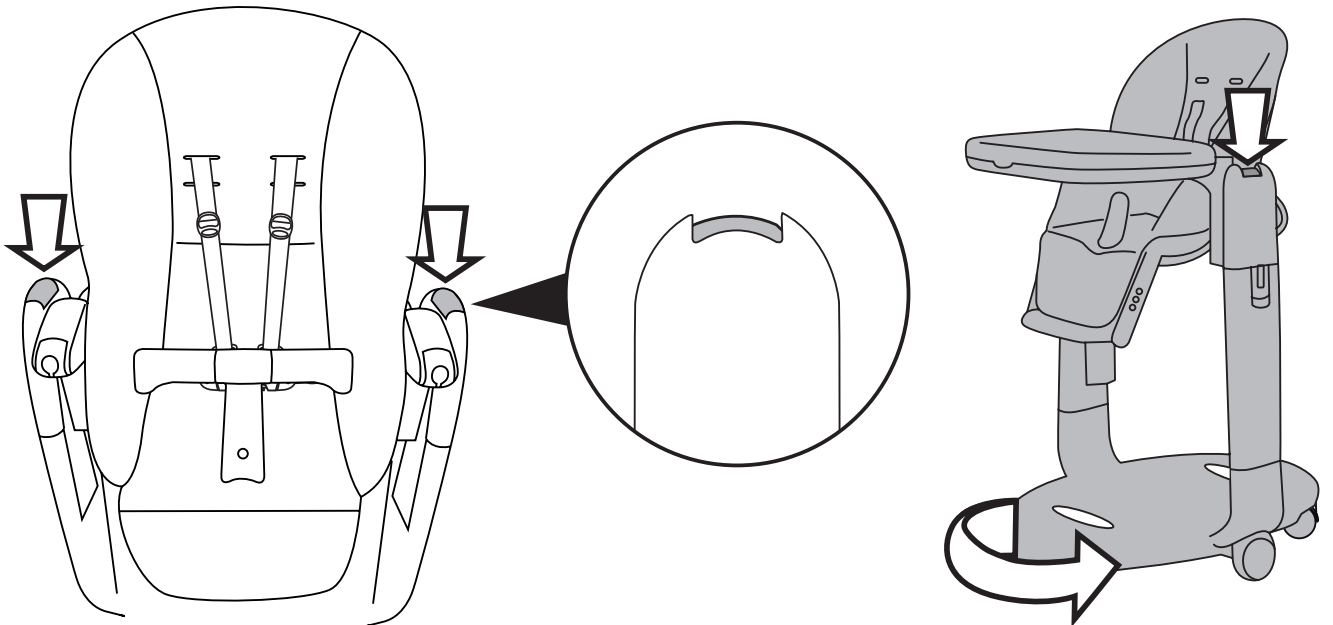
4



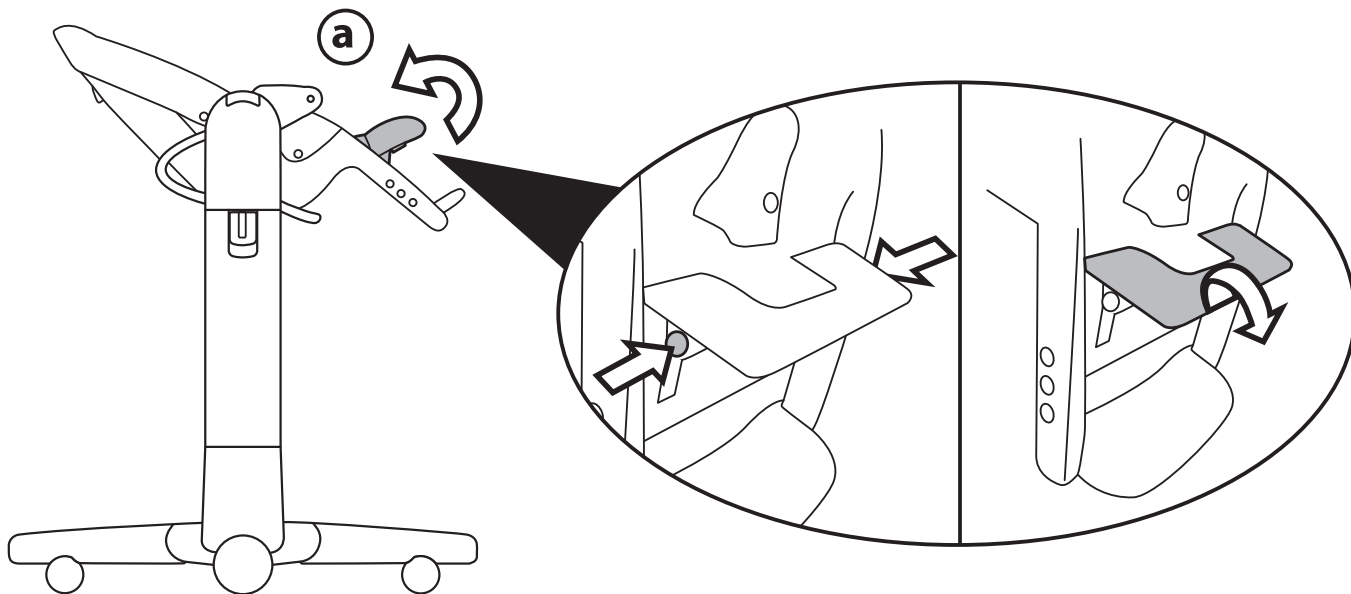
5



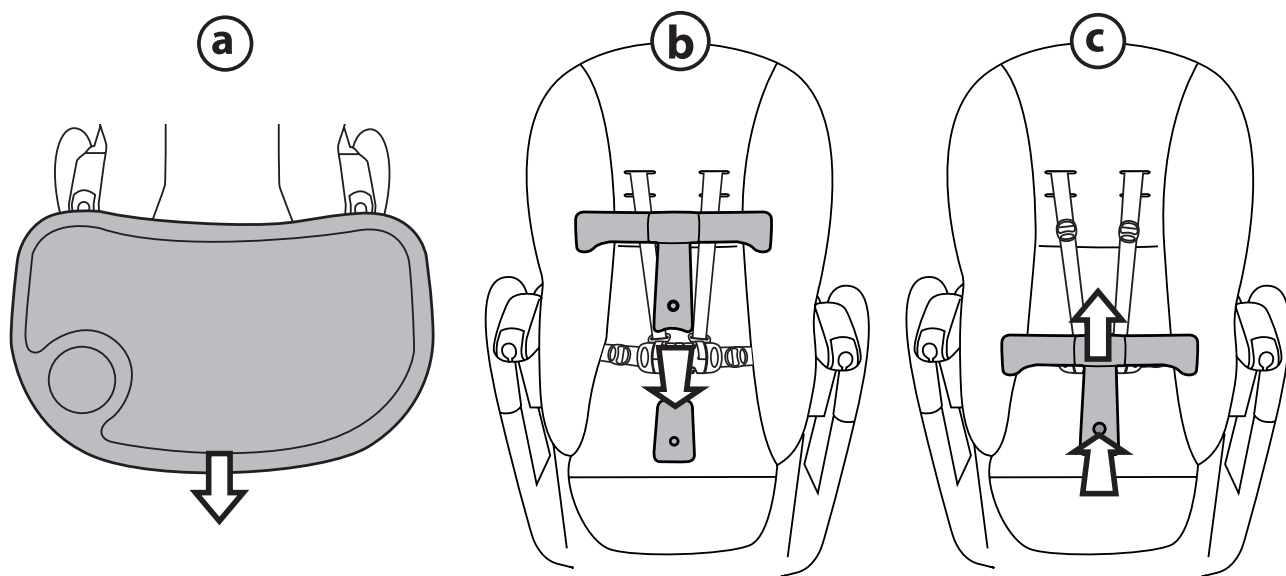
6



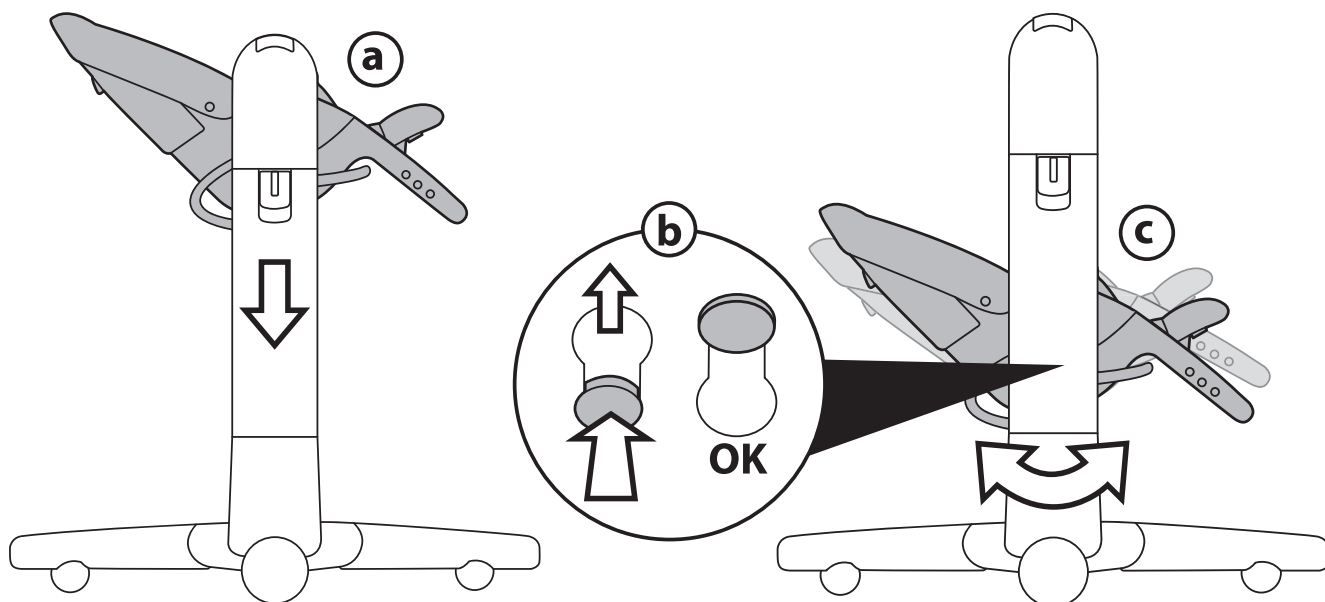
7

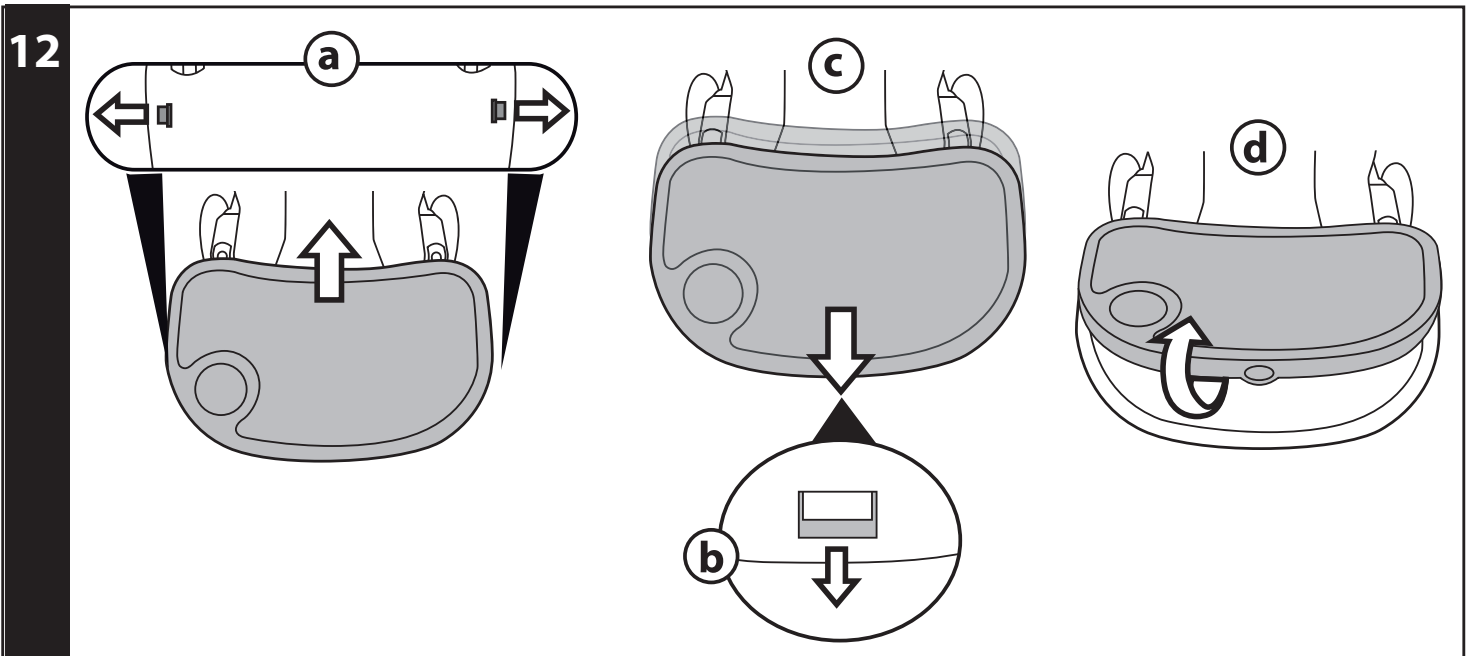
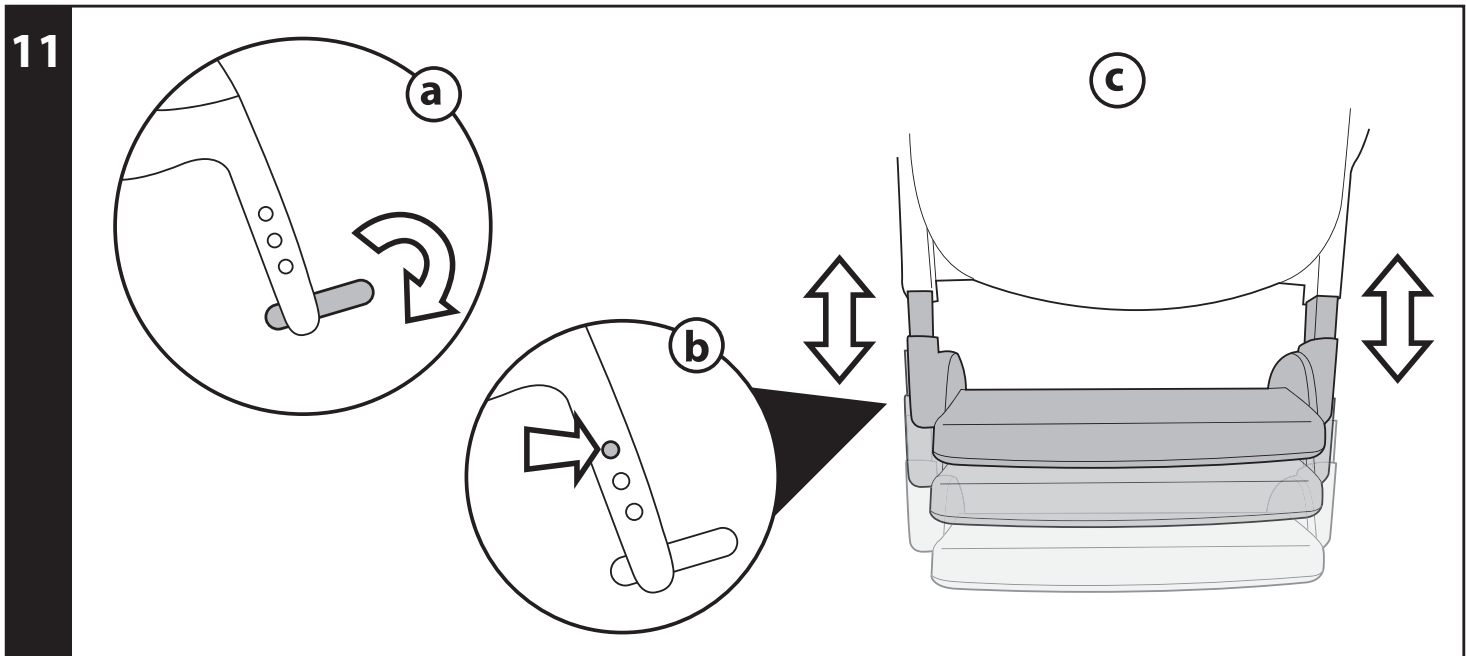
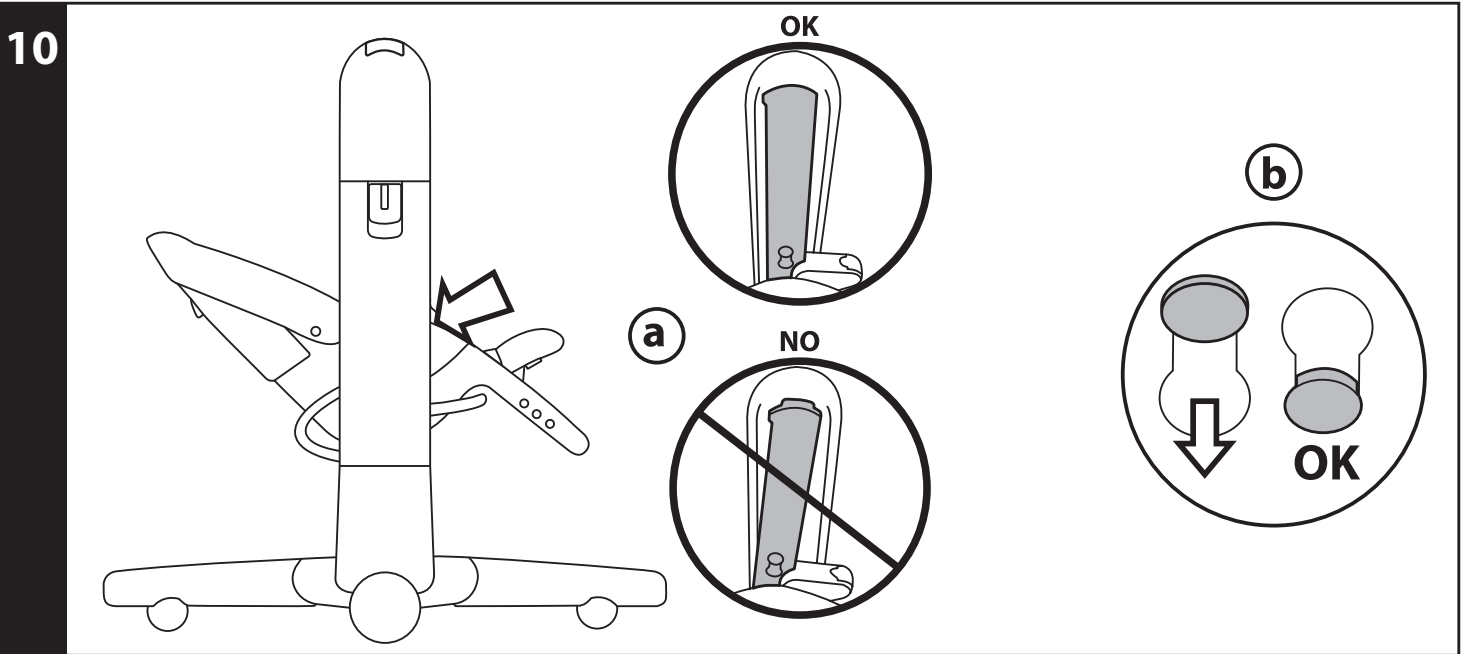


8

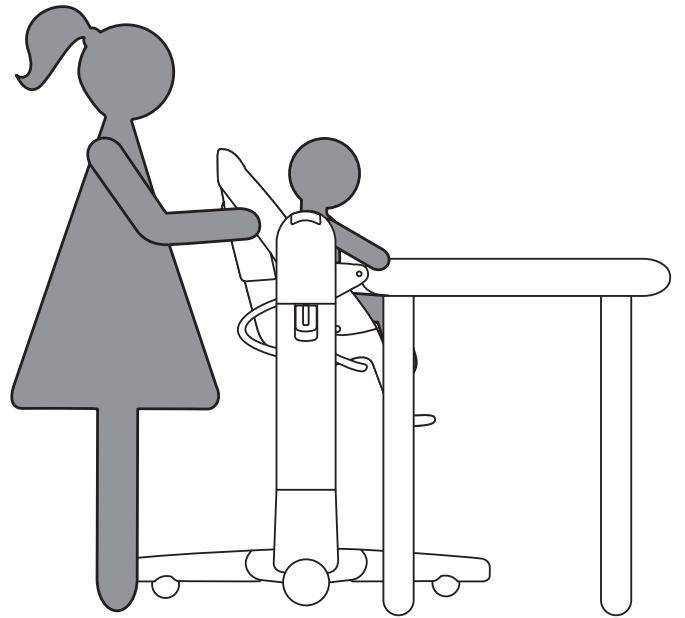
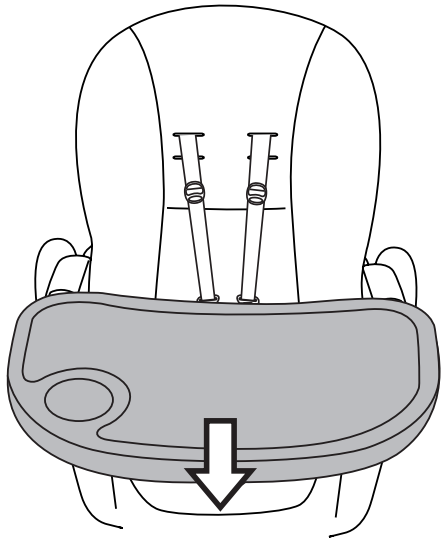


9

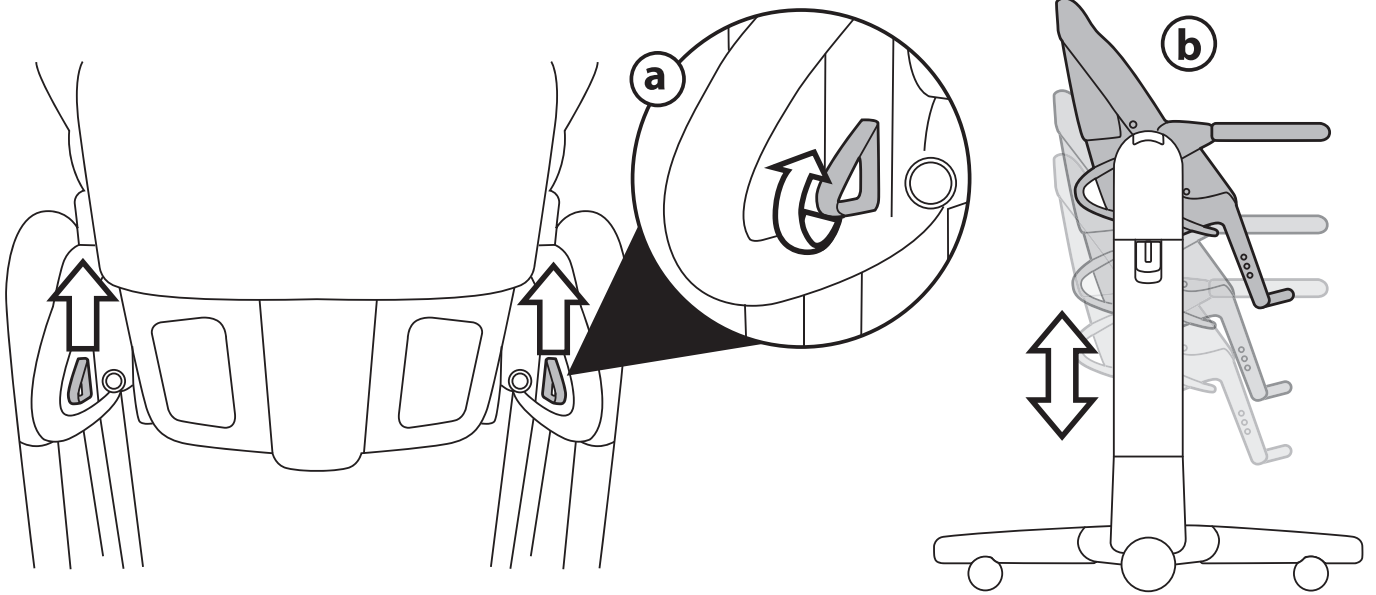




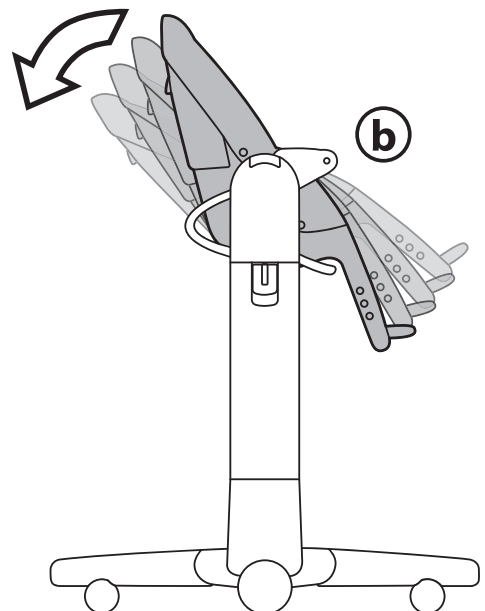
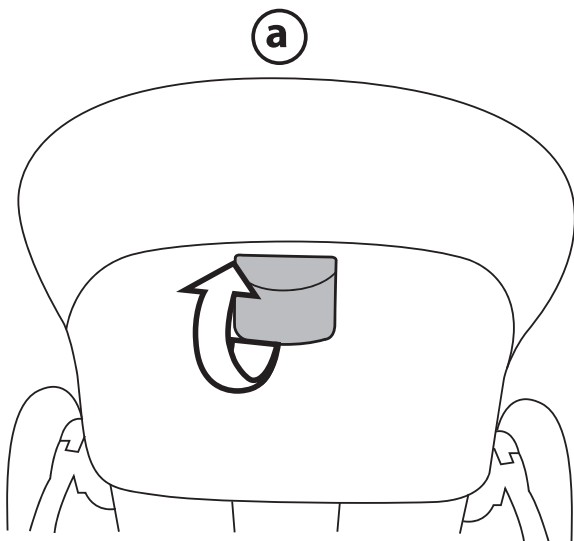
13



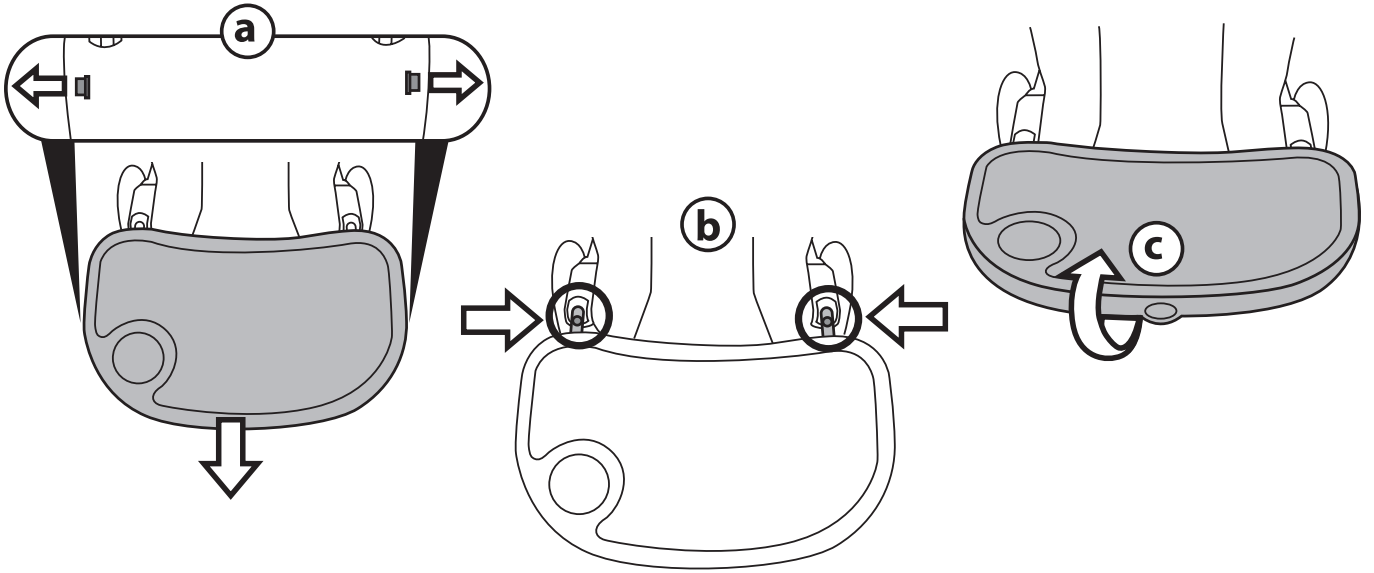
14



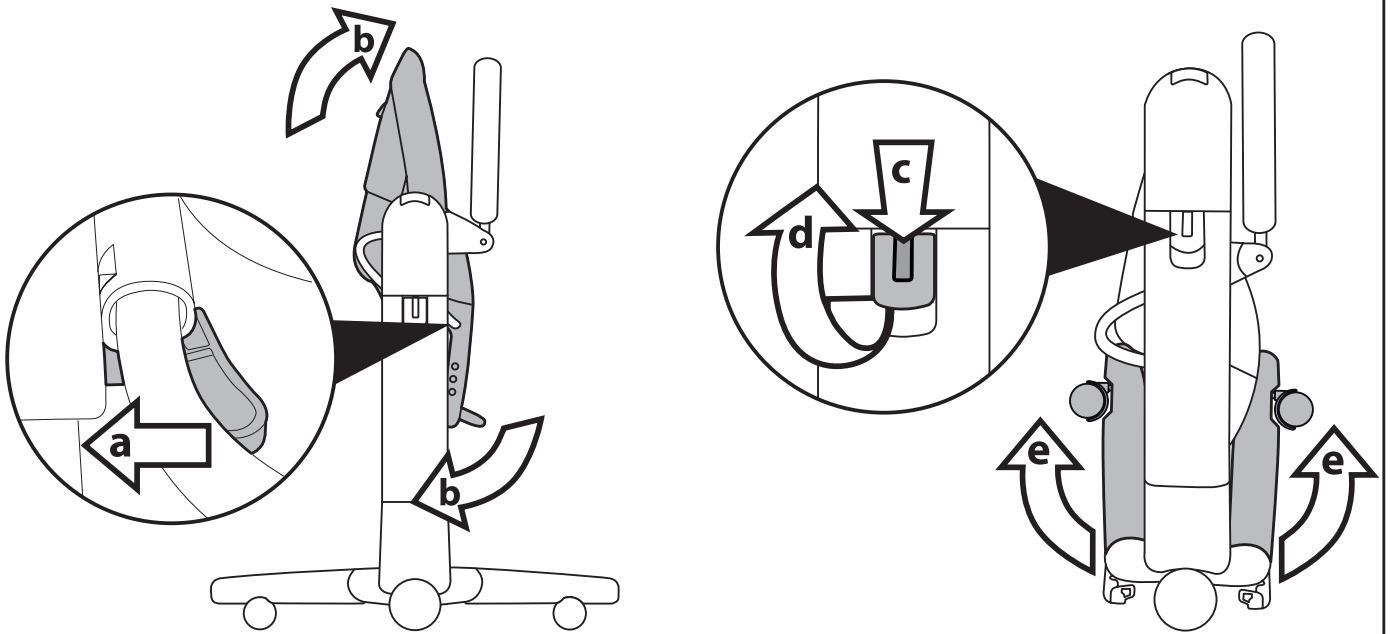
15



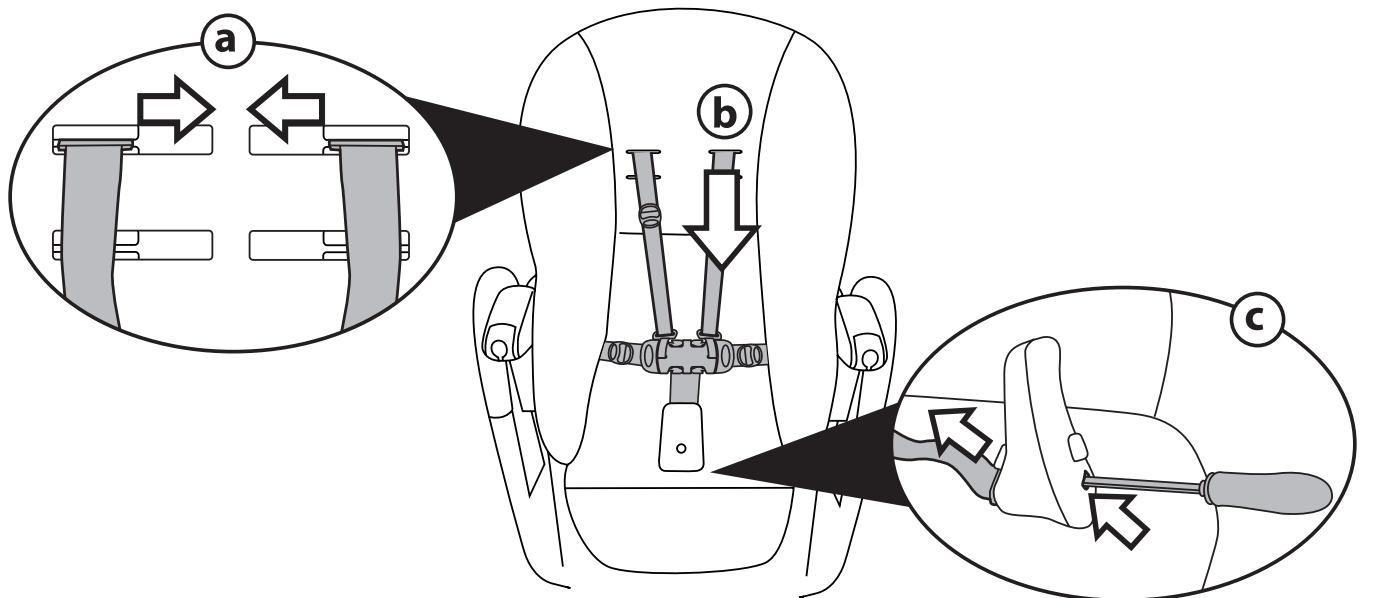
16



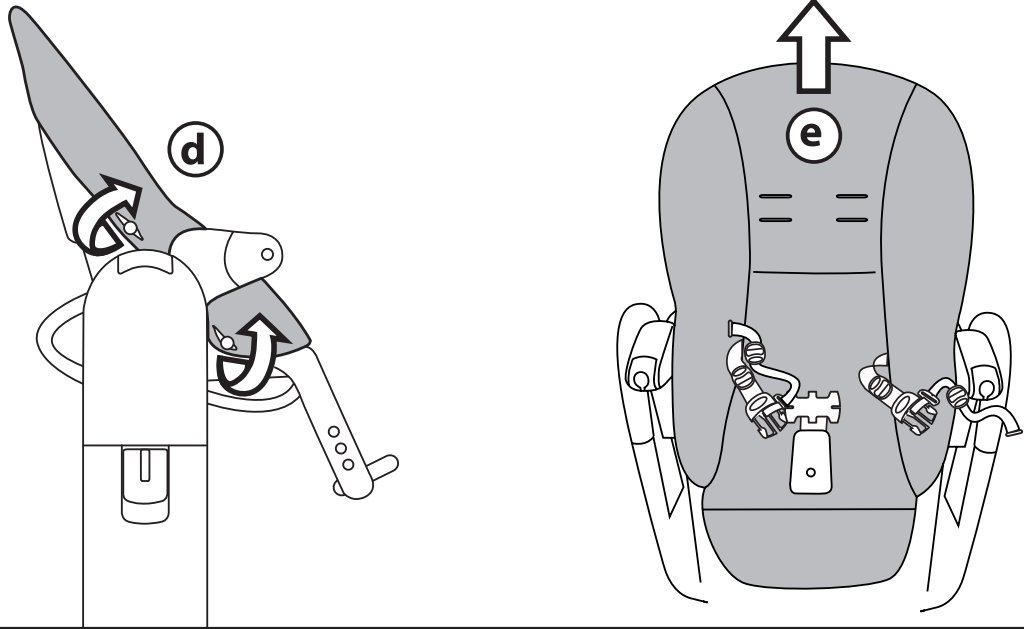
17



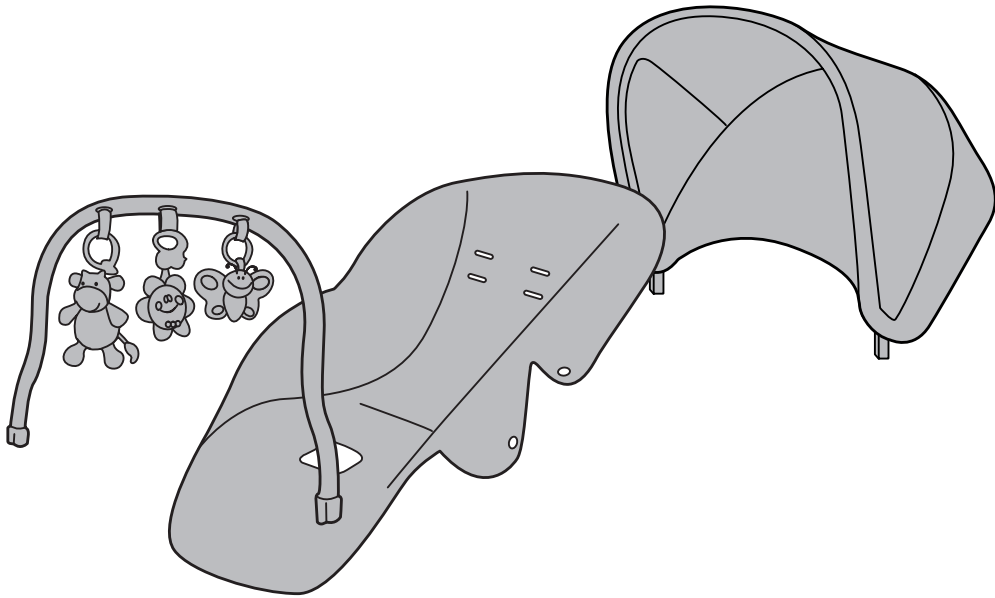
18



19

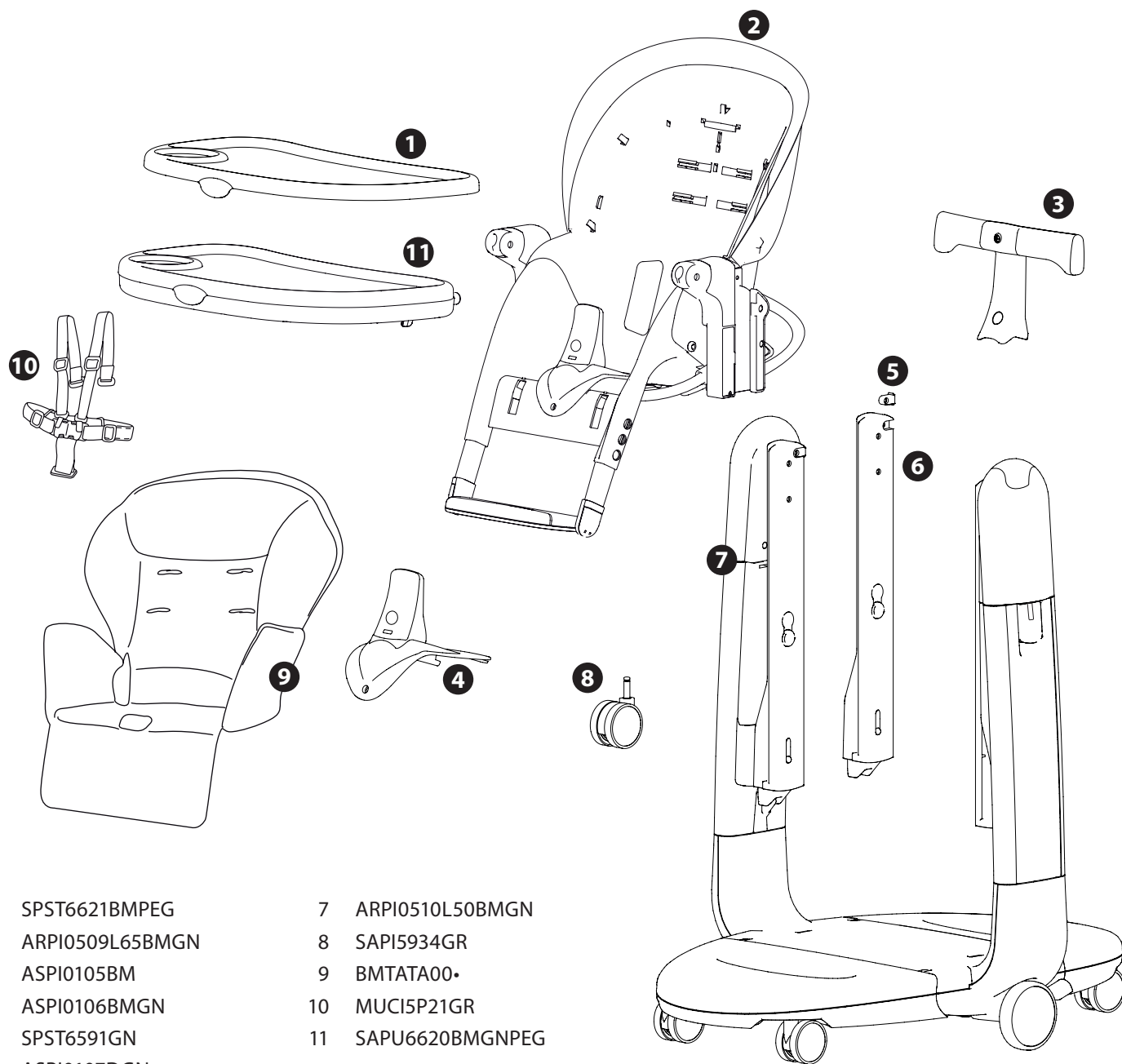


20





# Tatamia



- |   |                            |    |                 |
|---|----------------------------|----|-----------------|
| 1 | SPST6621BMPEG              | 7  | ARPI0510L50BMGN |
| 2 | ARPI0509L65BMGN            | 8  | SAPI5934GR      |
| 3 | ASPI0105BM                 | 9  | BMTATA00•       |
| 4 | ASPI0106BMGN               | 10 | MUCI5P21GR      |
| 5 | SPST6591GN                 | 11 | SAPU6620BMGNPEG |
| 6 | ASPI0107DGN<br>ASPI0107SGN |    |                 |

- IT• Ricambi disponibili in piú colori da specificare nella richiesta.
- EN• Spare parts available in different colours to be specified when ordering.
- FR• Pièces de rechange disponibles en plusieurs couleurs à spécifier dans la demande.
- DE• Ersatzteile in mehr Farben vorhanden, die in der Anfrage spezifiziert werden müssen.
- ES• Repuestos disponibles en otros colores que se especificarán en el pedido.
- PT• Peças de reposição disponíveis em cores alternativas a serem especificadas no pedido.
- NL• Reserveonderdelen verkrijgbaar in meerdere kleuren, bij bestelling te specificeren.
- DK• Reservedele kan leveres i flere farver som bør specificeres ved bestillingen.
- FI• Varaosia saatavana eri värisinä: ilmoita väri tilauksessa.
- CZ• U náhradních dílů, které jsou k dispozici ve více barvách, je nutné na objednávce specifikovat příslušnou barvu.
- SK• Pri náhradných dieloch, ktoré sú k dispozícii vo viacerých farbách, je potrebné pri objednávke špecifikovať želanú farbu.
- HU• A tartalék alkatrészek különböző színekben elérhetők, melyeket rendeléskor kell kiválasztani.
- SL• Rezervni deli so na voljo v več barvah, ki jih je treba navesti pri naročilu.
- RU• Запчасти имеются различных цветов, необходимый указать в запросе.
- TR• Siparişte belirtilen değişik renklerdeki yedek parçaları mevcuttur.
- EL• Ανταλλακτικά διαθέσιμα σε διάφορα χρώματα. Προσδιορίστε όταν παραγγείλετε.

# EN\_English

Thank you for choosing a Peg-Pérego product.



## WARNING

- **IMPORTANT: read the instructions carefully before use and keep them for future reference. The child may be hurt if you do not follow these instructions.**
- The product must be assembled and adjusted by an adult. Do not use the product if it is not properly assembled, if it is broken or if pieces are missing.
- Prevent the child from falling or slipping; always use the five-point safety harness. Use the safety harness both when the seat is reclined and when it is in the vertical position.
- Never leave your child unattended. Always keep him or her within sight.
- Do not place your fingers in the mechanisms and make sure the child's limbs are safe from harm when adjusting the chair.
- It could be dangerous to use accessories that are not approved by the manufacturer.
- Assembly, preparation, cleaning and maintenance of the product must only be carried out by adults.
- Do not leave the high chair exposed to sunlight for long periods of time. Wait until it has cooled down before sitting the child in the chair.

## RECLINER

- When used as a recliner, this product is designed for children from birth up to a weight of 9 kg.
- Do not use the product as a recliner when the child is able to sit up alone.
- The recliner is not designed for long periods of sleep. It should not be used as a substitute for a cot. If the child needs to sleep, he/she should be placed in a suitable cot.
- Danger of strangulation: never leave the child in the recliner if the safety harness is loose or undone.
- Risk of falling: it is dangerous to use the reclined cradle on a raised surface.

## SWING

- When used as a swing, the product is designed for children from birth up to 6 months of age.
- Keep a close eye on other children near the product.
- To use the product as a swing, make sure that the seat is always in the lowest position with backrest completely down.
- Always use the protective front bar. It is not a replacement for the safety harness.

## HIGH CHAIR

- The high chair is designed for children from 6 months of age up to a weight of 15 kg.
- Do not use the product as a high chair until the child can sit up alone. The tray and its accessories are not designed to support the child's weight. The tray is not designed to keep the child in the seat and does not substitute the safety harness.
- Make sure the product is placed on a flat surface.
- Position the product so that the child is far from dangers such as electrical wiring, heat sources and flames.
- Do not use the product near stairs or steps.
- Take care not to position the product near sources of heat or fire, such as gas hobs, electric heaters, etc.
- The high chair is designed for use at tables without the tray. It is suitable for children from 12 months of age up to a weight of 15 kg.

## A single product which follows the growth of your child.

- From 0 to 6 months, a comfortable recliner and swing.
- From the age of 6 months, a high chair for eating, playing and relaxing.
- From the age of 12 months, a high chair without a tray, for sitting at the table with the adults.

## COMPONENTS OF THE ITEM

Check the contents of the packaging and if you have any complaints please contact the Assistance Service.

– High chair with washable and removable padding, front bar, double tray and 4 wheels.

## INSTRUCTIONS FOR USE

- 1 **OPENING:** Before opening the high chair, fit the wheels by pressing them in the direction of the arrow (fig. a). Open the high chair by lowering the two supporting bases (fig. b) and check the green rectangle to make sure it is properly open (fig\_c). **WARNING: If the red rectangle is visible, the base has not been opened properly.**
- 2 Before using the high chair, raise the seat (fig\_a), completely recline the backrest until it clicks into position (b) and make sure the pin is properly locked in place (fig\_c).
- 3 **FIVE POINT SAFETY HARNESS:** To fasten the harness, insert the two waist strap buckles (with shoulder straps attached) into the leg divider strap until you hear a click (fig. a). To release it, press the sides of the buckle and simultaneously pull the waist strap outwards (fig. b). To tighten the waist strap, pull from both sides in the direction of the arrow (fig. c). To loosen it, do the opposite. The waist strap can be tightened as far as the safety stop (fig. d).
- 4 The shoulder straps of the harness can be set at two different heights. Partially remove the sack (fig\_a), release the shoulder straps from the backrest (fig\_b) and pull them out from the sack (fig\_c).
- 5 Insert the ends of the shoulder straps in the other slots in the sack (fig\_d) and the backrest (fig\_e), then put the sack back into the right position on the backrest.
- 6 **BRAKE:** The brake on the seat is always applied. To move the seat, keep both buttons held down.

## RECLINER-SWING

- 7 **FOOTREST FOR EARLY MONTHS:** The high chair is fitted with a footrest for use when it is in the recliner-swing mode. Raise the footrest by rotating it upwards (fig. a). Fold it away by pressing the two side buttons (fig. b) and rotating it downwards (fig. c).
- 8 **RECLINER-SWING:** Before placing the high chair in the recliner-swing mode, remove the tray (fig. a) and insert the front bar (fig. b). To remove the protective front bar, press the two buttons at its base and pull it out (fig\_c).
- 9 **SWING:** To transform the chair into a swing, place the seat in the lowest position (fig. a) and press the red buttons on the inner part of the uprights, pushing them upwards (fig. b). Swing mode (fig. c).
- 10 To put it back in recliner or high chair mode, make sure that the side uprights of the seat are parallel with those of the frame (fig\_a) (refer to the printed line on the uprights), then press the red buttons and push them downwards (fig\_b).

## HIGH CHAIR

- 11 **FOOTREST:** Lower the footrest (fig. a), press the two side buttons (fig. b) and select one of the three available heights.
- 12 **TRAY:** To fit the tray, pull the side levers underneath it outwards and at the same time insert it into the armrests, pushing all the way down (fig. a). To move the tray outwards, pull the central lever underneath it towards you (fig. b) and change the position of the tray (fig. c). To remove the tray, pull the side levers outwards and pull the tray towards you. The high chair has a double tray. The top tray can be easily washed in a dishwasher. To remove it, detach it from the lower tray and lift it up (fig. d).
- 13 **USE WITHOUT THE TRAY:** to use the seat at the table, remove the tray.
- 14 **ADJUSTING THE HEIGHT:** The seat can be set at 9 different heights. To raise or lower the seat, pull the two levers upwards (fig. a) and move it to the required position. This can also be done with the child in the high chair.
- 15 **RECLINING BACKREST:** The seat can be reclined in four positions: for eating, playing, relaxing or sleeping. To adjust it, raise the handle behind the backrest (fig. a) and lock it in the required position (fig. b). This can also be done with the child in the high chair.
- 16 **CLOSING AND REOPENING THE TRAY:** Pull the side levers outwards (fig. a) and move the tray outwards as far as the red reference points (fig. b). Next rotate it upwards until it is locked in place (fig. c). To reopen the tray, rotate it downwards while pulling the side levers outwards and move it into one of the positions for use.
- 17 **COMPACT CLOSURE:** before closing the high chair, it is necessary to fold up the tray. Put the backrest in the vertical position, then pull the two red levers on the sides of the seat outwards (Arrow\_a). Rotate it downwards (Arrow\_b), lower the seat to the bottom position and fold away the footrest. To raise the support bases, press the red levers on the sides of the uprights (Arrow\_c) and at the same time lift the grey levers (Arrow\_d). The bases will lift up automatically (Arrow\_e). The high chair is freestanding when folded up.

- 18 **REMOVABLE COVERS:** To remove the seat covers, remove the upper part of the sack, then pull the harness straps out through the backrest (fig. a) and through the sack (fig. b). Push a screwdriver into the hole in the leg divider and pull out the belt (fig. c).
- 19 Unbutton the sack at the sides (fig. d) and pull up to remove it (fig. e).

## ACCESSORIES

- 20 **KIT TATAMIA:** A cover and hood in Soft Touch fabric and a play bar with sound effects.

## CLEANING AND MAINTENANCE

**PRODUCT MAINTENANCE:** protect from the weather: water, rain, or snow; prolonged and continuous exposure to bright sunlight may give rise to colour changes of various different materials; store this product in a dry place.

**CLEANING THE CHASSIS:** periodically clean all plastic parts with a damp cloth. Do not use solvent or similar cleaning products; keep all metal parts dry to prevent rusting; keep moving parts clean (adjustment mechanisms, locking mechanisms, wheels, ...) and free of dust and sand and, if necessary, lubricate with light machine oil.

**CLEANING THE SACK:** Wash with a damp cloth and neutral detergent. Do not wring. Do not use chlorine bleach. Do not iron. Do not dry clean. Do not use solvents for stain removal. Do not spin dry.



## PEG-PÉREGO S.p.A.



Peg-Pérego S.p.A. is an ISO 9001 certified company. This certification is a guarantee for customers and consumers of the transparency and trustworthiness of the company's procedures and working methods.

Peg Pérego can make changes at any time to the models described in this publication for technical or commercial reasons.

Peg Pérego is at the disposal of its customers and consumers to ensure that all their demands and queries are fully satisfied. It is a key part of our policy to ensure we are always aware of our customers' views and requirements. We would therefore be very grateful if, after using a Peg Pérego product, you take the time to fill in our **CUSTOMER SATISFACTION QUESTIONNAIRE**, making a note of any comments or suggestions you might have. You can find the questionnaire on the Peg Pérego website: [www.pegperego.com](http://www.pegperego.com)

## PEG-PÉREGO AFTER-SALES SERVICE

If any parts of your Peg Pérego product should be accidentally mislaid or damaged, use exclusively genuine original Peg Pérego replacements. For any repairs, replacements, product information, and orders for genuine original replacement parts and accessories, contact Peg Pérego After-Sales Service:

tel. 0039/039/60.88.213 fax 0039/039/33.09.992

e-mail [assistenza@pegperego.it](mailto:assistenza@pegperego.it) website [www.pegperego.com](http://www.pegperego.com)