

Environmental Condition

Operating Temperature: 14 °F to 131 °F, (-10 °C to 55 °C) (indoor use only)

Pettadore declares that this Hydrate Ultra (WF002), is in compliance with the essential requirements and other relevant provisions of the Radio Equipment Directive (2014/53/EU).

Environment friendly disposal

You can help protect the environment!

Please remember to respect your local regulations: dispose of nonfunctional electrical equipment with an appropriate waste disposal center.

Read the instructions

When using electrical appliances, basic safety precautions should always be followed, including the following:

1. Do not touch hot surfaces. Use handles.
2. To protect against electric shock do not immerse cord or plug into water or other liquids.
3. Close supervision is necessary when any appliance is used by or near children.
4. Unplug from power when not in use and before cleaning. Allow cooling before putting on or taking off parts, and before cleaning the appliance.
5. Do not operate any appliance with a damaged cord or plug, if the appliance is not working properly or if it has been damaged in any way. Return appliance to the nearest authorized service facility for examination, repair or adjustment.
6. The use of the accessories is not recommended by the appliance manufacturer as it may cause injuries.
7. Do not use outdoors.
8. Do not let the cord hang over the edge of table or counter, or touch hot surfaces.
9. Do not place on or near a hot gas or electric burner, or in a heated oven.
10. Always attach the plug to the appliance first, then plug the cord in the wall outlet.

11. Do not use the appliance for other than intended purposes.
12. **WARNING:** Never leave the appliance unattended whilst in use.
13. **Warning:** keep the supply cord away from the heating tip and metal case during use.
14. This appliance is not intended for use by persons (including children) with reduced physical, sensory or mental capabilities, or lack of experience and knowledge unless they have been given supervision or instructions concerning the use of the appliance by a person responsible for their safety.
15. Children should be supervised to ensure that they do not play with the appliance.
16. If the SUPPLY CORD is damaged, it must be replaced by the manufacturer, their service agent or similarly qualified persons in order to avoid a hazard.
17. **WARNING:** This tool must be placed on its stand when not in use.

KEEP THESE INSTRUCTIONS.

Use only the detachable power supply unit supplied with this appliance:

Manufacturer: SHENZHEN KEYU POWER SUPPLY TECHNOLOGY CO., LTD.

Model: KA1503-0502000UKU;

Input: 100-240V, 50/60Hz, 0.35A;

Output: 5VDC, 2A



Pettadore

Vasteland 78 unit A2.14, 3011BN Rotterdam, The Netherlands

07 / Warranty Terms

Within the period of warranty, if the product fails with no fault of the user, it will be repaired by Pettadore at their own expense. Product failure in the following examples will not be covered by the warranty:

- 1) Failure to operate or maintain the product following the (QIG) Quick Installation Guide Instructions.
- 2) Failure due to natural wear and tear including but not limited to scratches, corrosion, oxidation and rust.
- 3) Failure by non-authorized repair of the product including but not limited to user's own or third-party repairing attempts or modifications.

(All pictures shown in the manual are for illustrative purposes only. Actual product may vary due to product enhancement)



For other languages see pettadore.com/pages/manuals



All pictures shown in the manual are for illustration purposes only. Actual products may vary due to product enhancement.



PETTADORE
CAT TOGETHER

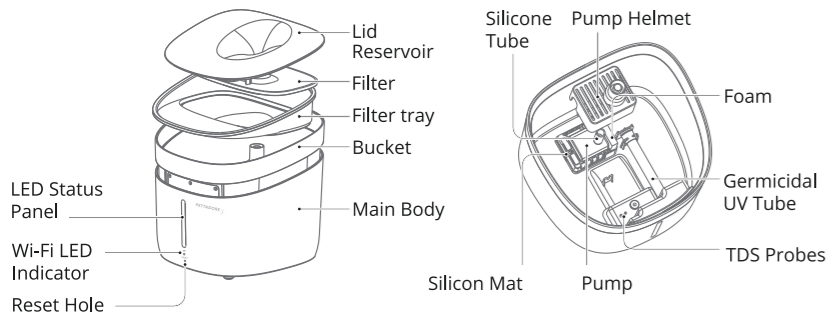
User Manual

Hydrate Ultra 2

For other languages see
pettadore.com/pages/manuals

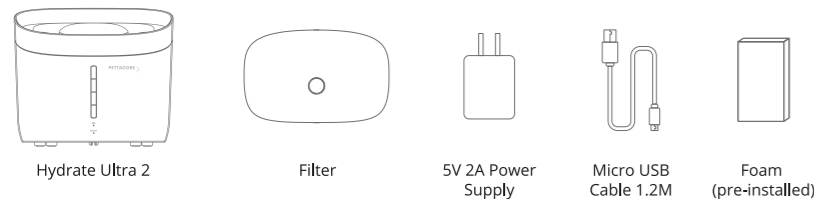
Please read this manual carefully before using.
Keep the manual in a safe place for future reference.

01 / Meet your Hydrate Ultra 2



How sterilization works: The UVC ultraviolet light emitted by the tube at the bottom of the fountain can destroy the DNA structure of microorganisms such as bacteria, causing the bacteria to die. It operates for 3 minutes every interval. The lighting lasts for 3 minutes every interval killing up to 99.7% bacteria.

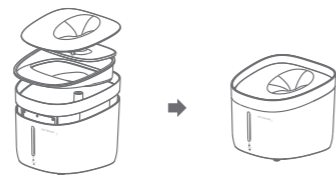
Contents of the box



02 / Operations

1. Assemble

Please place all parts in the right places according to the illustration;



3. Fill up

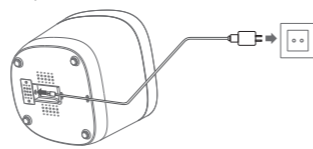
Pour water into the bucket. Do not exceed the maximum water level.

5. Accessories replacing

It is recommended to replace the filter, foam and pump's screen sticker regularly.

2. Power on

Connect the Micro USB cable to the power input port at the bottom, then connect A/C adapter to the wall outlet.



4. Clean up

Lift the bucket and clean the inside of the bucket.

6. Connect the Fountain

Download the Pettadore App and connect the fountain to your Wi-Fi to monitor and control.

03 / Quick Setup

1. Scan the QR code on the right and download the Pettadore App which is available on the App Store and Google Play. Click Sign up to proceed to the creation your Pettadore account.



2. Switch on and ensure the Wi-Fi Indicator LED flashes rapidly indicating that your device is ready to connect to the Wi-Fi. Open the Pettadore App and click the '+' button and follow the SET-UP steps.

Notice

- (1) The fountain doesn't support the 5GHz Wi-Fi, please make sure your Wi-Fi is 2.4G.
- (2) If the Wi-Fi indicator does not flash rapidly after power-on, please long press and hold the manual feed button until the indicator flashes rapidly.

04 / LED Status

LED	Status
Blue	Water level
Red	Filter Change Alert

Specifications

Model: WF002
Weight: 1220 g (43.03 oz)
Power Input: DC 5V 2A
Communication: Wi-Fi
Sterilization Rate: 99.7%

Size: 208x198x181mm (8.19*7.80*7.13 Inches)
Capacity: 2L
Range: 30m (98.5 feet)
UVC Tube Life: 15000 Hours

05 / Precautions

1. Please use fountain in an indoor environment;
2. When cleaning the bucket, do not directly wash the bottom of the bucket or immerse it in water; when cleaning the whole machine, DISCONNECT the power supply;
3. Children must use the unit under the guidance of an adult;
4. Please place the unit on a flat surface to prevent accidental tipping, causing the fountain to spray or not function correctly.
5. Please protect or arrange the power cord well to prevent the pet from biting the cable and causing dangerous situations such as electric shock;
6. This fountain is suitable for cats or small and medium-size dogs;
7. TDS (Total dissolved solids): The content of dissolved solids in water. The lower the TDS value, the higher the purity of the water. TDS is used as an indicator to determine the general quality of the water. The water quality criteria and standards vary widely in different countries and regions. Please refer to your local standards.
8. As UVC ultraviolet light cannot penetrate plastic or clothing, the visible light source that is exposed by UV tube does not inflict damage.
9. After a long period of use, yellowing inside the fountain is normal.

06 / Certifications

FCC Instructions

This device complies with part 15 of the FCC Rules. Operation is subject to the following two conditions: (1) This device may not cause harmful interference, and (2) this device must accept any interference received, including interference that may cause undesired operation.

Note: The Beneficiary is not responsible for any changes or modifications not expressly approved by the party responsible for compliance. Such modifications could void the user's authority to operate the equipment.

Note: This equipment has been tested and found to comply with the limits for a Class B digital device, pursuant to part 15 of the FCC Rules. These limits are designed to provide reasonable protection against harmful interference in a residential installation. This equipment generates, uses and can radiate radio frequency energy and, if not installed and used in accordance with the instructions, may cause harmful interference to radio communications.

However, there is no guarantee that interference will not occur in a particular installation. If this equipment does cause harmful interference to radio or television reception, which can be determined by turning the equipment off and on, the user is encouraged to try to correct the interference by one or more of the following measures:

- Reorient or relocate the receiving antenna.
- Increase the distance between the equipment and receiver.
- Connect the equipment into an outlet on a circuit different from that to which the receiver is connected.
- Consult the dealer or an experienced radio/TV technician for help.