

# PowerMission 2

Street lighting luminaires

# P029

IP66 · CLASS I · CE · IK07



Project :	Location :	Type :	Quantity :
Note :			

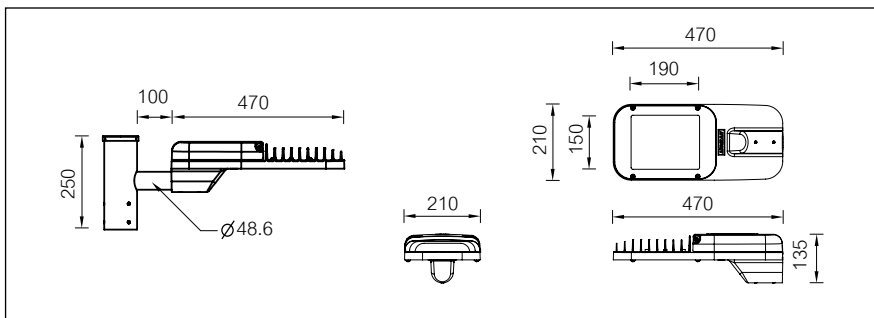


### Application

Engineered from the base up with environmental consciousness and energy efficiency in mind, LIGMAN's PowerMission series, developed specifically to fulfill the demanding conditions of road and street lighting applications, are highly flexible and can be easily retrofitted onto existing street lighting infrastructure making it a state-of-the-art technology that is practical and affordable. Industry leading optical technology that minimizes light pollution and optimizes light distribution ensures that only the targeted areas are illuminated, reducing unwanted light trespass and sky glow. This characteristic ensures PowerMission's compliance to the Dark Sky requirements.

### Description

The luminaire rated as CLASS I with integral driver. Colour temperature 3000K and 4000K, LED CRI >80 and life time 50,000 Hours.



A high quality die-casted aluminum casting not only houses the control gear and the light modules but it also acts as the primary thermal management device, eliminating the need for additional and sometimes bulky heat sinks while improving the overall performance and extending the life span of the LEDs. Stainless steel fasteners in grade 316. Durable silicone rubber gasket and impact resistant toughened glass diffuser. The luminaire is treated with a chemical chromatised protection before powder coating, ensuring high corrosion resistance.

### Ordering guide sample

P029 - LM059 - T3 - W40 - A90876					<b>Colour Temperature</b>	<b>Spigot</b>
Model No	Lamp Series	Type	Colour	Spigot mounting	W30 - Warm white 3000K	SC60 - Dia. 60mm.
					W40 - Neutral white 4000K	SC76 - Dia. 76mm.

### Product Code

Model No.	Lamp	System Power W	Lumen lm	Colour	EEC	Distribution Type	Weight kg
P029 - GP015 - T2 - W30	12 LED	15	1025	3000K	A++	Type 2	4.7
P029 - GP015 - T3 - W30	12 LED	15	1035	3000K	A++	Type 3	4.7
P029 - GP015 - T4 - W30	12 LED	15	1039	3000K	A++	Type 4	4.7
P029 - GP015 - T2 - W40	12 LED	15	1092	4000K	A++	Type 2	4.7
P029 - GP015 - T3 - W40	12 LED	15	1103	4000K	A++	Type 3	4.7
P029 - GP015 - T4 - W40	12 LED	15	1107	4000K	A++	Type 4	4.7
P029 - GP020 - T2 - W30	12 LED	21	1384	3000K	A+	Type 2	4.7
P029 - GP020 - T3 - W30	12 LED	21	1397	3000K	A+	Type 3	4.7
P029 - GP020 - T4 - W30	12 LED	21	1404	3000K	A+	Type 4	4.7
P029 - GP020 - T2 - W40	12 LED	21	1474	4000K	A++	Type 2	4.7
P029 - GP020 - T3 - W40	12 LED	21	1488	4000K	A++	Type 3	4.7
P029 - GP020 - T4 - W40	12 LED	21	1496	4000K	A++	Type 4	4.7
P029 - GP028 - T2 - W30	12 LED	28	1799	3000K	A+	Type 2	4.7
P029 - GP028 - T3 - W30	12 LED	28	1816	3000K	A+	Type 3	4.7
P029 - GP028 - T4 - W30	12 LED	28	1827	3000K	A+	Type 4	4.7
P029 - GP028 - T2 - W40	12 LED	28	1917	4000K	A+	Type 2	4.7
P029 - GP028 - T3 - W40	12 LED	28	1934	4000K	A+	Type 3	4.7
P029 - GP028 - T4 - W40	12 LED	28	1946	4000K	A+	Type 4	4.7

### Light symbol



# PowerMission 2

Street lighting luminaires

# P029

IP66 · CLASS I · CE · IK07



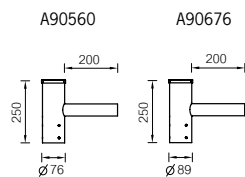
## Product Code

Model No.	Lamp	System Power W	Lumen lm	Colour	EEC	Distribution Type	Weight kg
P029 - LM028 - T2 - W30	12 LED	28	1992	3000K	A++	Type 2	4.7
P029 - LM028 - T3 - W30	12 LED	28	2007	3000K	A++	Type 3	4.7
P029 - LM028 - T4 - W30	12 LED	28	2015	3000K	A++	Type 4	4.7
P029 - LM028 - T2 - W40	12 LED	28	2390	4000K	A++	Type 2	4.7
P029 - LM028 - T3 - W40	12 LED	28	2409	4000K	A++	Type 3	4.7
P029 - LM028 - T4 - W40	12 LED	28	2418	4000K	A++	Type 4	4.7
P029 - GP027 - T2 - W30	24 LED	27	2272	3000K	A++	Type 2	4.8
P029 - GP027 - T3 - W30	24 LED	27	2282	3000K	A++	Type 3	4.8
P029 - GP027 - T4 - W30	24 LED	27	2311	3000K	A++	Type 4	4.8
P029 - GP027 - T2 - W40	24 LED	27	2421	4000K	A++	Type 2	4.8
P029 - GP027 - T3 - W40	24 LED	27	2431	4000K	A++	Type 3	4.8
P029 - GP027 - T4 - W40	24 LED	27	2462	4000K	A++	Type 4	4.8
P029 - GP041 - T2 - W30	24 LED	41	3215	3000K	A+	Type 2	4.8
P029 - GP041 - T3 - W30	24 LED	41	3229	3000K	A+	Type 3	4.8
P029 - GP041 - T4 - W30	24 LED	41	3238	3000K	A+	Type 4	4.8
P029 - GP041 - T2 - W40	24 LED	41	3425	4000K	A++	Type 2	4.8
P029 - GP041 - T3 - W40	24 LED	41	3440	4000K	A++	Type 3	4.8
P029 - GP041 - T4 - W40	24 LED	41	3450	4000K	A++	Type 4	4.8
P029 - GP061 - T2 - W30	24 LED	56	4287	3000K	A+	Type 2	4.8
P029 - GP061 - T3 - W30	24 LED	56	4305	3000K	A+	Type 3	4.8
P029 - GP061 - T4 - W30	24 LED	56	4341	3000K	A+	Type 4	4.8
P029 - GP061 - T2 - W40	24 LED	56	4587	4000K	A+	Type 2	4.8
P029 - GP061 - T3 - W40	24 LED	56	4587	4000K	A+	Type 3	4.8
P029 - GP061 - T4 - W40	24 LED	56	4625	4000K	A+	Type 4	4.8
P029 - LM059 - T2 - W30	24 LED	54	4500	3000K	A++	Type 2	4.8
P029 - LM059 - T3 - W30	24 LED	54	4540	3000K	A++	Type 3	4.8
P029 - LM059 - T4 - W30	24 LED	54	4586	3000K	A++	Type 4	4.8
P029 - LM059 - T2 - W40	24 LED	54	5400	4000K	A++	Type 2	4.8
P029 - LM059 - T3 - W40	24 LED	54	5448	4000K	A++	Type 3	4.8
P029 - LM059 - T4 - W40	24 LED	54	5504	4000K	A++	Type 4	4.8

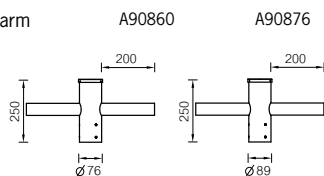
## Accessories No.

Spigot mounting	SC60	SC76
-----------------	------	------

Single arm



Double arm



## Colour Code

- 01	- 02	- 03	- 05	- 06	
Black RAL 9011	Dark Grey RAL 7043	White RAL 9003	Matt Silver RAL 9006	Bronze RAL 6014	RESET

• Installation manual available online at [www.ligman.com](http://www.ligman.com).  
 • Luminous flux and system power are rated from absolute photometry according to LM-79-08 standard for LED luminaire.  
 • Photometric diagram for standard non-accessory, please consult the factory in case accessory option.

Technical amendments reserved.

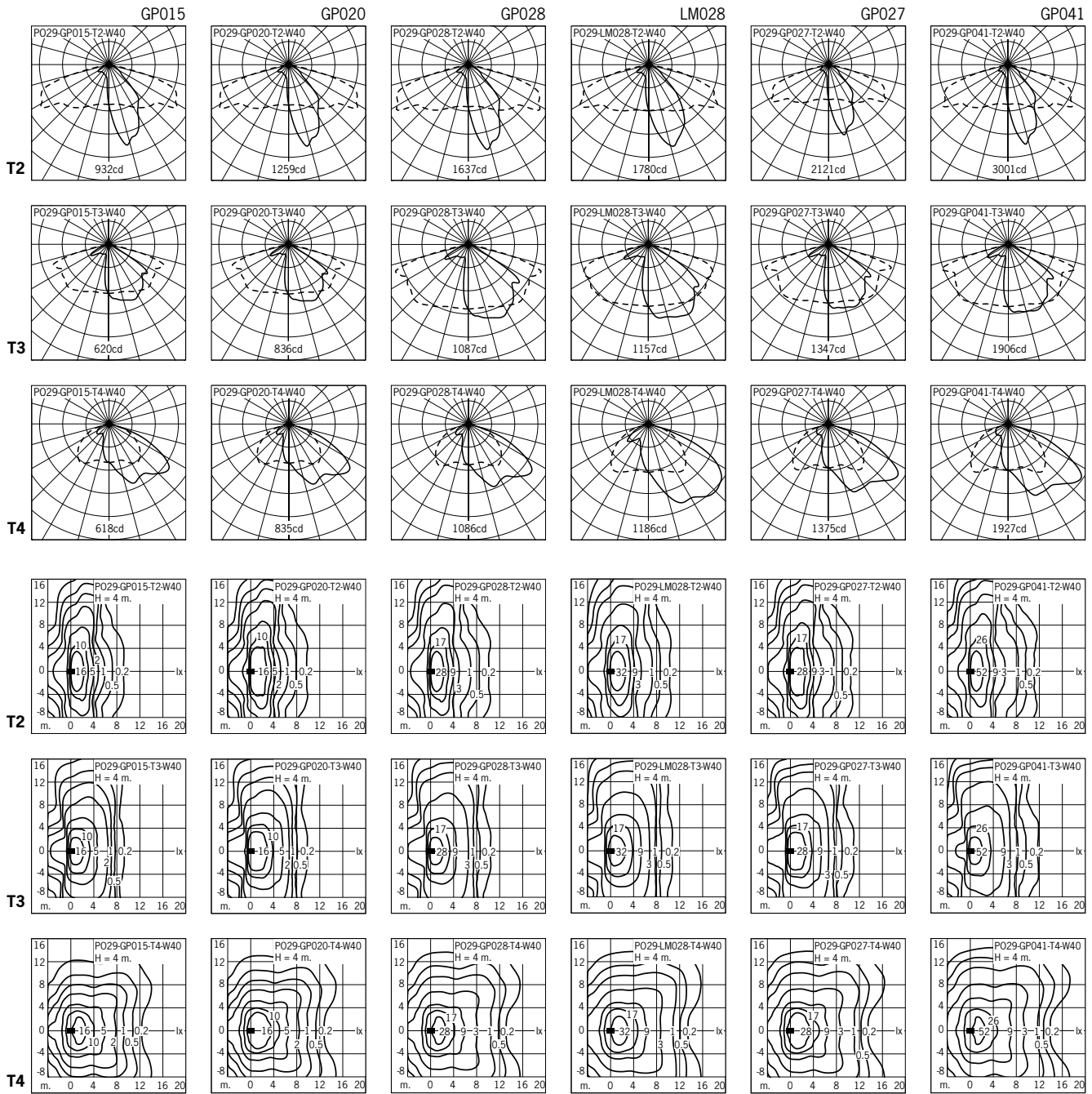
**PowerMission 2**  
Street lighting luminaires

**P029**

IP66 · CLASS I · CE · IK07



**Photometric**



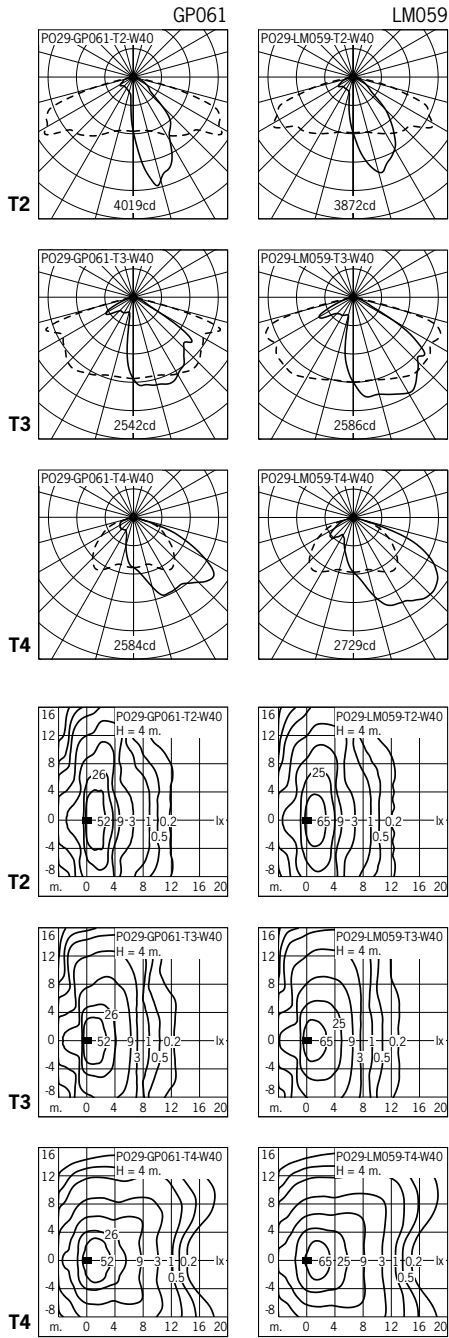
**PowerMission 2**  
Street lighting luminaires

**P029**

IP66 · CLASS I · CE · IK07



**Photometric**



• Installation manual available online at [www.ligman.com](http://www.ligman.com).  
 • Luminous flux and system power are rated from absolute photometry according to LM-79-08 standard for LED luminaire.  
 • Photometric diagram for standard non-accessory, please consult the factory in case accessory option.