

Atlantic medium shade

Pendant luminaire

Project :	Location :	Type :	Quantity :
Note :			



Luminaire Structure

Classic urban neighbourhood post-top luminaire family. Timeless lines coupled with unparalleled build quality, flexibility and performance.

LM6 Aluminium is used for its excellent mechanical strength and thermal dissipation properties in low and high ambient temperatures. The superior thermal heat sink design by Ligman used in conjunction with the driver, controls thermals below critical temperature range to ensure maximum luminous flux output, as well as providing long LED service life and ensuring at least L90 85,000hours in accordance to NZTA M30.

Light Symbol



Post top lighting with light distribution – Type-3
Mid-range horizontal lighting distribution



Post top lighting with light distribution – PNZ
Mid-range horizontal lighting distribution

Construction

Aluminium

Less than 0.1% copper content – Marine Grade LM6 Aluminium High Pressure die casting provides excellent mechanical strength, clean detailed product lines and excellent heat dissipation.

Pre paint

8 step degrease and phosphate process that includes deoxidizing and etching as well as a zinc and nickel phosphate process before product painting.

Memory Retentive -Silicon Gasket

Provided with special injection moulded "fit for purpose" long life high temperature memory retentive silicon gaskets. Maintains the gaskets exact profile and seal over years of use and compression.

Lamp

Cree XLamp XP-G3 LED's on Ligman designed and manufactured PCB board.

Ballast or LED Driver

TCI Driver DALI 2.0 LED Driver. Drive current set to 350mA, 500mA, 700mA.

LM-80 & TM-21 available

life time 118,000hr. L90 (19K) B10 118,000hr.(reported lamp life (based off LM-80, thermals & TM-21)

CRI ≥80

Sail area

Sailing Area 0.261 sqm.

Fastening information

Fasten by set screw M10. Can applied force torque to 25Nm.

Surge Suppression

Standard 10kv surge suppressor provided with all fixtures.

BUG Rating

B1 - U0 -G1

Finishing

All Ligman products go through an extensive finishing process that includes fettling to improve paint adherence.

Paint

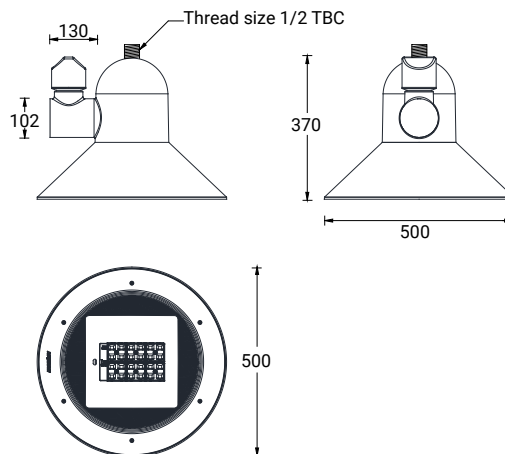
UV Stabilized 4.9Mil thick powder coat paint and baked at 200 Deg C. This process ensures that Ligman products can withstand harsh environments.

Hardware

Provided Hardware is Marine grade 316 Stainless steel.

Anti-Seize Screw Holes

Tapped holes are infused with a special anti-seize compound designed to prevent seizure of threaded connections, due to electrolysis from heat, corrosive atmospheres and moisture.



HEADQUARTERS EUROPE

Ligman Europe s.r.o.
VGP Park Ústí nad Labem, P2 | Přestanov 120 | 40317 Přestanov | Czech Republic | Tel: +420 477 07 1500 | sales.cz@ligman.com
www.ligman.com

HEADQUARTERS THAILAND

Ligman Lighting Co., Ltd.
17/2 | Moo 4 | Monthong | Bangnampreaw | Chachoengsao 24150 | Thailand | Tel: +66 (2) 7339140 | info@ligman.com

Ligman Ltd.
Victory Way | Crossways | Dartford DA2 6QD | United Kingdom | Tel: +66 2 733 9140 | Fax: +66 2 733 9153 | sales.uk@ligman.com

Technical amendments reserved.

Atlantic medium shade

Pendant luminaire

Project :	Location :	Type :	Quantity :
Note :			

Ordering guide sample

AA-95016-TS2_NZ1808002 - T3 - W40 - DA - A90891	Colour Temperature W30 - Warm white 3000K W40 - Neutral white 4000K	Dimming Type DA - DALI dimming
<div style="display: flex; justify-content: space-around; align-items: center;"> <div style="border: 1px solid black; padding: 2px;">Type</div> <div style="border: 1px solid black; padding: 2px;">Colour</div> <div style="border: 1px solid black; padding: 2px;">Dim Type</div> <div style="border: 1px solid black; padding: 2px;">Accessory 1</div> </div>		

Product Code

Model No.	Lamp	System Power W	Lumen lm	Colour	EEC	Distribution Type	Weight kg
AA - 95016 - TS2_NZ1808002 - PNZ - W30 - 350mA	24 LED	26	2820	3000K	A+	PNZ	8.8
AA - 95016 - TS2_NZ1808002 - ME - W30 350mA	24 LED	26	3028	3000K	A+	ME	8.8
AA - 95016 - TS2_NZ1808002 - T3 - W30 350mA	24 LED	26	3037	3000K	A+	Type 3	8.8
AA - 95016 - TS2_NZ1808002 - PNZ - W30 - 500mA	24 LED	38	4039	3000K	A+	PNZ	8.8
AA - 95016 - TS2_NZ1808002 - ME - W30 500mA	24 LED	38	4303	3000K	A+	ME	8.8
AA - 95016 - TS2_NZ1808002 - T3 - W30 500mA	24 LED	38	4415	3000K	A+	Type 3	8.8
AA - 95016 - TS2_NZ1808002 - PNZ - W30 - 700mA	24 LED	53	5414	3000K	A+	PNZ	8.8
AA - 95016 - TS2_NZ1808002 - ME - W30 700mA	24 LED	53	5767	3000K	A+	ME	8.8
AA - 95016 - TS2_NZ1808002 - T3 - W30 700mA	24 LED	53	5918	3000K	A+	Type 3	8.8
AA - 95016 - TS2_NZ1808002 - PNZ - W30 500mA	2X24 LED	75	7755	3000K	A+	PNZ	8.8
AA - 95016 - TS2_NZ1808002 ME W30 500mA	2X24 LED	75	8162	3000K	A+	ME	8.8
AA - 95016 - TS2_NZ1808002 T3 W30 500mA	2X24 LED	75	8484	3000K	A+	Type 3	8.8
AA - 95016 - TS2_NZ1808002 - PNZ - W40 - 350mA	24 LED	26	2976	4000K	A++	PNZ	8.8
AA - 95016 - TS2_NZ1808002 - ME - W40 350mA	24 LED	26	3195	4000K	A++	ME	8.8
AA - 95016 - TS2_NZ1808002 - T3 - W40 350mA	24 LED	26	3204	4000K	A++	Type 3	8.8
AA - 95016 - TS2_NZ1808002 - PNZ - W40 - 500mA	24 LED	38	4261	4000K	A++	PNZ	8.8
AA - 95016 - TS2_NZ1808002 - ME - W40 500mA	24 LED	38	4539	4000K	A++	ME	8.8
AA - 95016 - TS2_NZ1808002 - T3 - W40 500mA	24 LED	38	4657	4000K	A++	Type 3	8.8
AA - 95016 - TS2_NZ1808002 - PNZ - W40 - 700mA	24 LED	53	5710	4000K	A+	PNZ	8.8
AA - 95016 - TS2_NZ1808002 - ME - W40 700mA	24 LED	53	6083	4000K	A+	ME	8.8
AA - 95016 - TS2_NZ1808002 - T3 - W40 700mA	24 LED	53	6242	4000K	A+	Type 3	8.8
AA - 95016 - TS2_NZ1808002 - PNZ - W40 500mA	2X24 LED	75	8180	4000K	A++	PNZ	8.8
AA - 95016 - TS2_NZ1808002 ME W40 500mA	2X24 LED	75	8609	4000K	A++	ME	8.8
AA - 95016 - TS2_NZ1808002 T3 W40 500mA	2X24 LED	75	8949	4000K	A++	Type 3	8.8

Dimming Type

DALI

Accessory by Customer



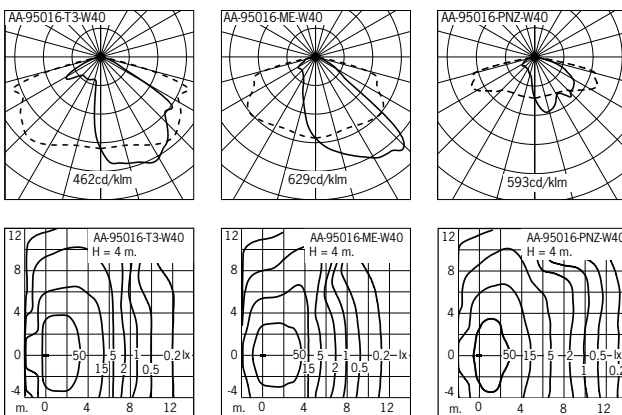
Nema 7P base with Shorting Cap (A90891)

Colour Code

- 01	- 02	- 03
Black RAL 9011	Dark Grey RAL 7043	White RAL 9003

RESET

Photometric



In process of continuous upgradation, number of LEDs, Lumen flux and other specifications may change without prior notice or information.

Technical amendments reserved.

HEADQUARTERS EUROPE

Ligman Europe s.r.o.
VGP Park Ústí nad Labem, P2 | Přestanov 120 | 40317 Přestanov | Czech Republic | Tel. +420 477 07 1500 | sales.cz@ligman.com
www.ligman.com

HEADQUARTERS THAILAND

Ligman Lighting Co.,Ltd.
17/2 | Moo 4 | Monthong | Bangnampreaw | Chachoengsao 24150 | Thailand | Tel : +66 (2) 7339140 | info@ligman.com

Ligman Ltd.
Victory Way | Crossways | Dartford DA2 6QD | United Kingdom | Tel +66 2 733 9140 | Fax +66 2 733 9153 | sales.uk@ligman.com