

Galvanized steel luminaire pole - 114 Diameter

Pole structure

Galvanized steel column with a wind rating of 180km/hr.

Powder coated using premium Jotun Corro-Coat UV-Stabilized Polyester powder with an electrostatic coating process. Powder thickness controlled to 120um. The pole manufacturing process is in accordance with EN40 standards.

All poles provided with a foundation cage, Concrete strength of 30MPa required.

Product colour



- 01 Black RAL 9011
 - 02 Dark Grey RAL 7043
 - 03 White RAL 9003
 - 01 Matt Silver RAL 9006



- DF Douglas Fir
 - CW Cherry Wood
 - NW National Walnut

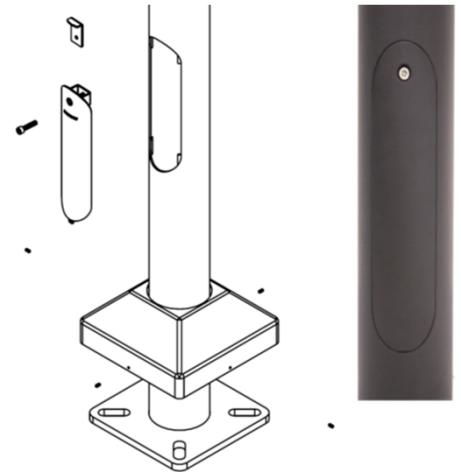
*Other RAL colours available on request



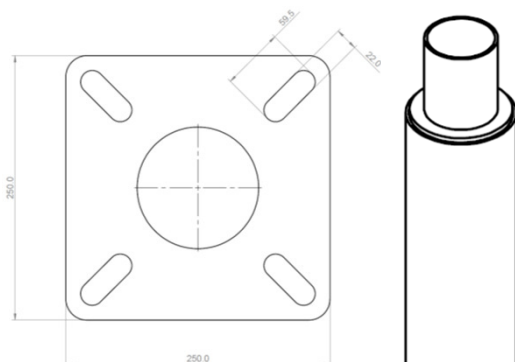
Height information

Height	Code	Weight
2000mm	SPD-120-114-76	23.8kg
2500mm	SPD-125-114-76	27.9kg
3000mm	SPD-130-114-76	32.0kg
3500mm	SPD-135-114-76	36.2kg
4000mm	SPD-140-114-76	40.3kg
4500mm	SPD-145-114-76	44.4kg
5000mm	SPD-150-114-76	48.5kg
6000mm	SPD-160-114-76	56.7kg

* All poles supplied with diecast aluminium bolt cover.



Dimensions



- Overall diameter of pole 114mm.
- Spigot size is 76mm OD x 89mm high, 60mm OD available on request.
- Base plate size of 250mm x 250mm

We reserve the right to make technical and design changes.



Galvanized steel luminaire pole - 114 Diameter

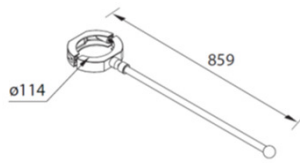
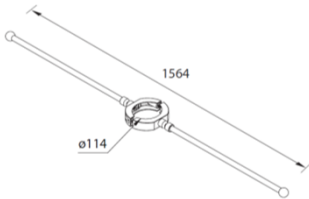
Accessories



Double Banner
A20481



Single Banner
A20381



Stock & Availability

Impressions Lighting carries stock of the SPD-160-114-76, 6000mm high pole in the following colours.

- 01 Black RAL 9011
- 02 Dark Grey RAL 7043
- 05 Matt Silver RAL 9006

Due to the nature of poles, lead-times are 10-12 weeks if no stock is available.

Foundation cages are manufactured locally and can be supplied prior to delivery of the poles, lead-times are 2-4 weeks if no stock is available.

Contact Impressions Lighting for more information.